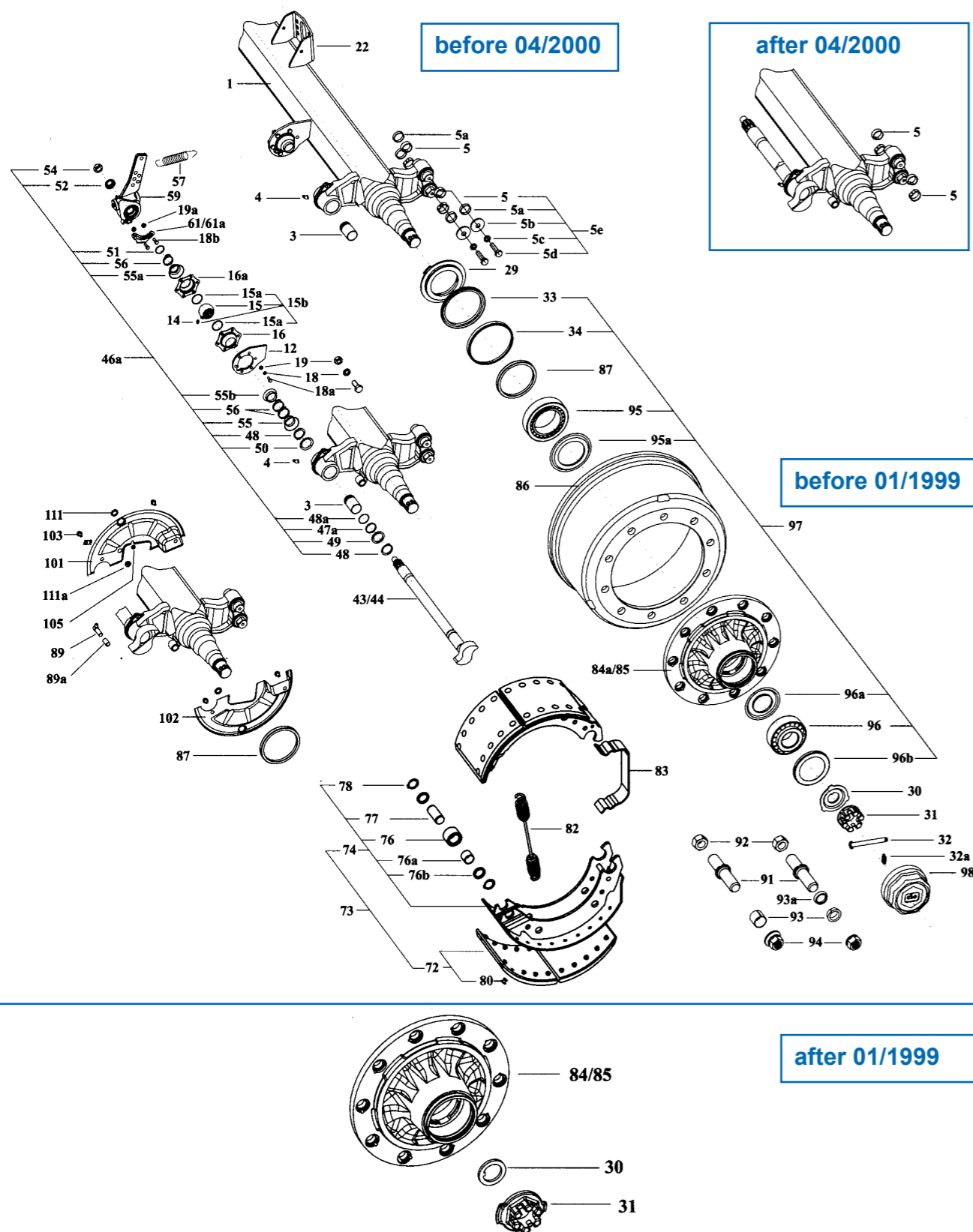


**GIGANT
2010**

GIGANT

22,5" TRUMBROMS	
GVH5 12010 4220	2-5
19,5" TRUMBROMS	
GVH5 10008 3620	6-9
17"/15" TRUMBROMS	
GVH5 10010 3020	10-13
GVH5 10510 3020	14-17
19,5" SKIVBROMS	
DKH2 10008 3745	18-19
PARABELFJÄDRAR	
LK Parabolic-Springs. Wheel base 1310	20
LK Parabolic- and Low-Loader Parabolic-Springs (twin-staged) Wheel base 1310 / 1400	21
LK Parabolic-Springs wheel base 1400	22
LK Low-Loader Parabolic-Springs wheel base 1400 / 1600	23
FJÄDERPAKET LUFTFJÄDRING	
Straight Air Suspension Springs TLR	24
Straight Air Suspension Spring NLR	25
Straight Air Suspension Spring TLR and TNLR	26
LR 43 and LR 50	27
Two-Leaf Springs NLR 50 and NLR 55	28
FJÄDERKRAMPOR	
Shackles	29
FJÄDERHÄNKE	
Spare Parts for Air Suspension Drawbar Brackets and Air Suspension Brackets	30
FJÄDERPLATTOR	
Identification additional of attachment parts	31
BÄLGAR	
Bälgar	32
STÖTDÄMPARE	
Shock Absorber for Air Suspension	33
AXELLYFT	
TWINLIFT for standard suspension and suspensions with C-profile	34
TWINLIFT for spring width 70	35
Axle Lift EAL and MAL	36

GVH5 12010 4220



GVH5 12010 4220

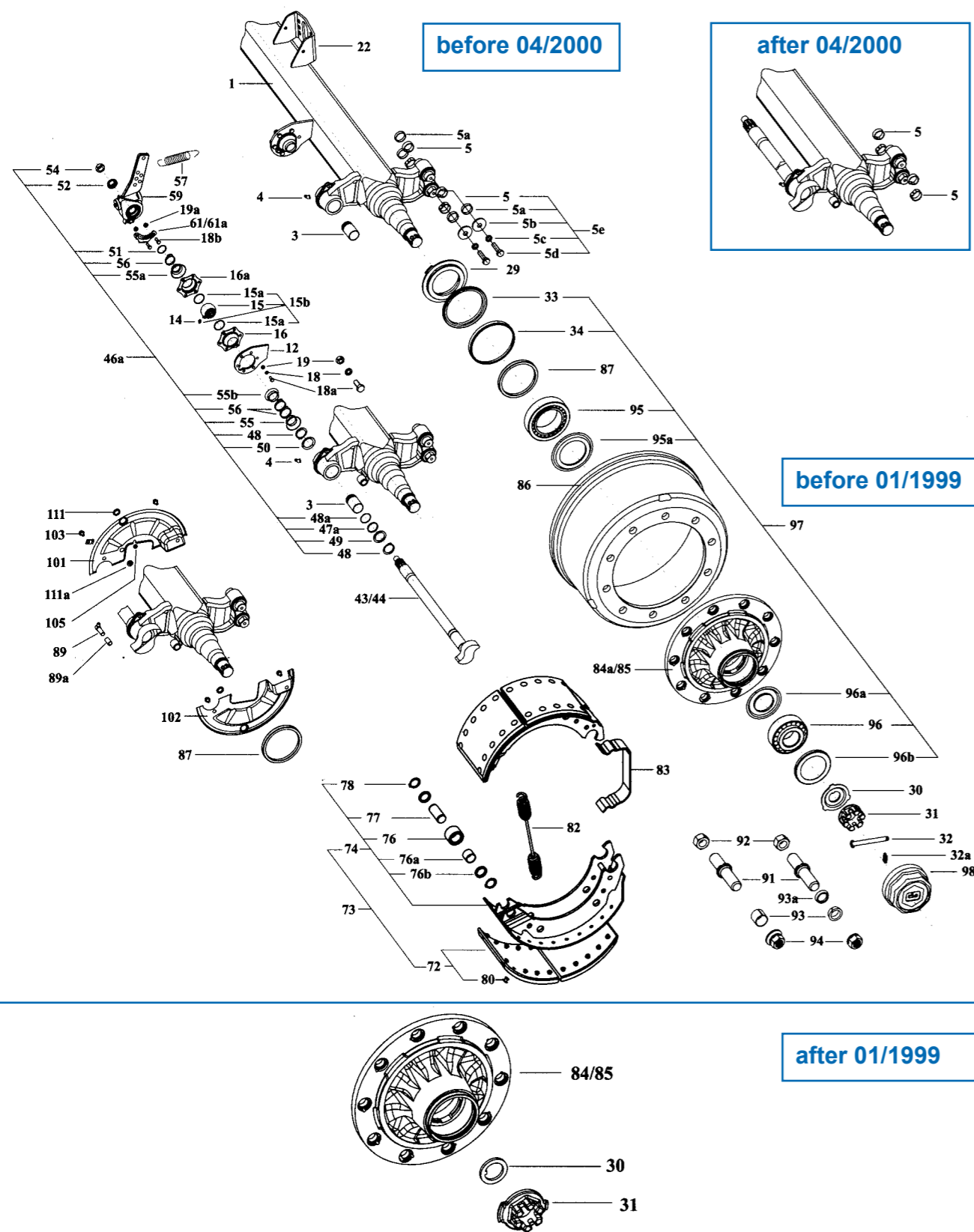
RIGID AXLE 12T. BRAKE DRUM 420 x 200
 □ 150mm - 10Stud M22-Ø335 S/SA/Z PROTEC

Running from: 1997

Item	Part-no.	Qte	Designation	Dimension	*
01	Serie-no.	01	Axle		
03	09404037	02	Bush	Ø42x46/72,6	02
04	02411008	02	Grease nipple	M10 45°	
after 04/2000					
05	09215011	08	Anchor pin	Ø31,5x35,5/9,7	08
before 04/2000					
05	09215011	08	Fixed point ring	Ø31,5x35,5/9,7	08
05a	09271041	08	Spacer	Ø38x33/8	
05b	02802010	04	Washer	Ø11x36/2	
05c	02804010	04	Washer	W10	
05d	01310020	04	Screw	M10x20	
05e	09317216	02	Kit repair compl. with fixed point spring part 83		
12	09379038	02	Camshaft bracket		
14	02411001	02	Grease nipple	M8 / 0°	
15	09404023	02	Knucle	Ø42x62/38	
15a	02501005	04	O-ring	Ø2,6xØ42,5x48	
15b	09272310	02	Knucle assembly		02
16	09404022	02	Bearing box (with grease)		
16a	09404028	02	Bearing box		
18	02803008	12	Washer	Ø8x14/1,8	
18a	01308020	12	Screw	HM8x20	
18b	01308025	04	Screw	HM8x25	
19	02208008	12	Nut	HM8	
19a	02208108	04	Nut	HM8	
	09317117	12	Screw assembly (for NGS)	HM8x20	
	09317118	02	Screw assembly (for AGS)	HM8x20 and 25	
22	09379039	02	Cylinder bracket		
29	09228019	02	Bearing spacer	Ø96x164/22	
after 01/1999					
30	09369013	02	Washer under bearing	Ø53x76/5,8	
31	09400035	02	Spindle nut	M52x2 SW 75	
before 01/1999					
30/31	09317222	02	Kit spindle nut replacement for 09400038		
32	09294004	02	Pin	Ø8x80x83	
32a	09400037	02	Hook	Ø2/8	
33	09400017	02	Grease seal	Ø135x156,7/8	
34	09228018	02	Sealing ring	Ø151x160/12,5	
43	02641676	01	Brake cam	«L» L=576	
43	02641641	01	Brake cam	«L» L=641	
43	02641696	01	Brake cam	«L» L=696	
43	02641734	01	Brake cam	«L» L=734	
44	02640676	01	Brake cam	«R» L=576	
44	02640641	01	Brake cam	«R» L=641	
44	02640696	01	Brake cam	«R» L=696	
44	02640734	01	Brake cam	«R» L=734	
46a	09317109	01	Mounting kit brake cam	for AGS	
47a	09369006	02	Centering rings	Ø42x46/4	
48	02102014	04	Circlip	Ø42E	
48a	02500040	02	O-ring	Ø40x2,5	
49	02802061	02	Washer	Ø42x55/3	
50	09369007	02	Sealing washer	Ø42x57/2	
51	09400007	02	Snap ring	Ø35E	
52	09369004	02	Washer for AGS	Ø22,5x42/11	
52	09369029	02	Washer for NGS	Ø22,5x42/6	
54	02212003	02	Locknut	M22x1,5	
55	09356001	02	Cam protection	Ø41/25	
55a	09356003	02	Cam protection	Ø34/26	
55b	09356002	02	Cam protection	Ø41/19	
56	09255001	06	Hose clamp		
57	07203067	02	Adjusting spring	Ø3,5x28,5/157	02
59	09319035	02	AGS		
61	09404042	01	Bracket AGS right		
61a	09404043	01	Bracket AGS left		

* MAINTENANCE

GVH5 12010 4220



GVH5 12010 4220

RIGID AXLE 12T. BRAKE DRUM 420 x 200

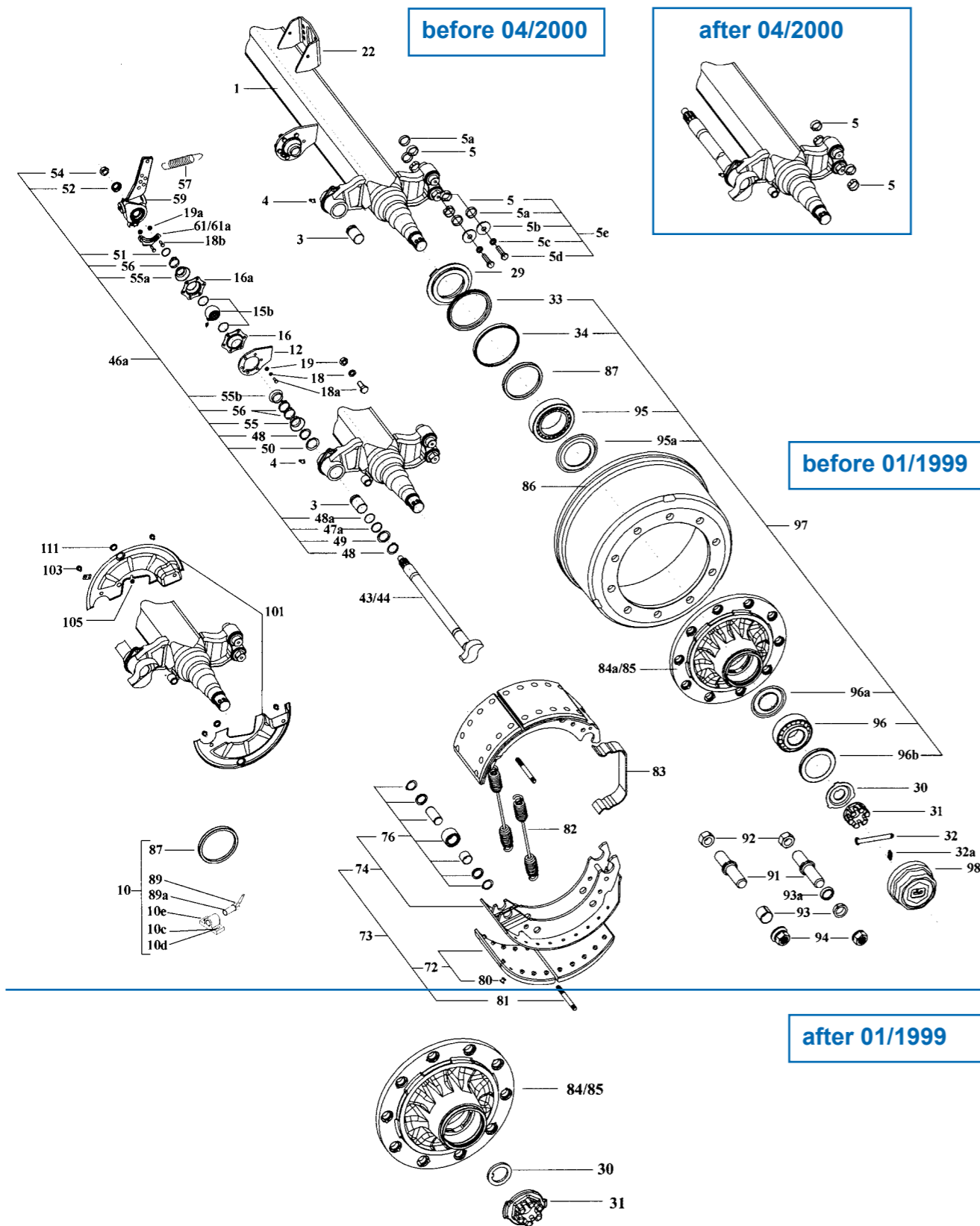
□ 150mm - 10Stud M22-Ø335 S/SA/Z PROTEC

Running from: 1997

Item	Part-no.	Qte	Designation	Dimension	*
72	09012309	01	Kit brake lining	4220 +0	01
72	09012409	01	Kit brake lining	4220 +1	
73	09317218	02	Complete brake shoe	4220 +0	02
			(73=72+74+82+83)		
74	09322011	04	Complete brake shoe	4220	
			Without brake lining		
76	09290003	04	Roller	Ø29x45/33,5	
76a	09228024	04	Bush	Ø26x29/25	
76b	09369020	08	Washer	Ø26x34/4	
77	09226021	04	Roller pin	Ø26/61	
78	02102026	08	Snap ring	Ø26E	
80	02950001	80	Rivet	Ø8/15	72
82	09361005	02	Release spring	Ø34/268	02
83	09361008	02	Fixed point spring		
84	09328084	02	Hub after 01/1999		
			before 01/1999		
84a	09317165	02	Kit hub replacement for hub 09328045		
			(Parts: 30 / 31 / 84 / 96b)		
85	09294001	20	Grooved pin		10
86	09380019	02	Brake drum SO / SAO	Ø420 L=262	02
86	09380011	02	Brake drum ZO	Ø420 L=287	
87	09264005	02	Ring ABS	Ø176x194/15	
89	08709158	02	Inductive sensor ABS	L=400	
89a	08505035	02	Bush of sensor		
91	09412416	20	Wheel stud SO	M22x1,5 L=100	10
91	09226004	20	Wheel stud ZO / SAO	M22x1,5 L=114	10
92	02208034	20	Nut	HM22x2/32	10
			For spigot alignment types: S, SM, Z, ZM		
94	08606072	20	Wheel nut SM, ZM	M22x1,5/SW32	10
94	07204023	20	Wheel nut S, Z	M22x1,5/SW33	10
			Single mount S, SM		
93	09268002	04	Spring washer	Ø21,5x5x24,5/6	02
			Twin mount Z, ZM		
93	09268001	04	Spring washer	Ø21,5x24,5/18	02
			For stud alignment: SF, ZF		
94	02215005	20	Wheel nut	M22x1,5/SW32	10
			Single mount SF		
93	02804105	20	Spring washer	Ø22,5x34/8	10
			Twin mount ZF		
93	02804105	20	Spring washer	Ø22,5x34/8	10
93a	02804115	20	Plug washer		10
95	10500582	02	Bearing	33118	
95a	09384056	02	Grease seal	Ø94x148/5,5	
96	10500558	02	Bearing	33213	
96a	09384058	02	Grease seal	Ø72x118/5,5	
96b	09384127	02	Grease seal	Ø94x120/9	
97	09317114	02	Kit bearing compl. for 1 hub		02
98	09237012	02	Hub cap	M135x2 SW110	
101	09384036	01	Kit dust cover right		
102	09384039	01	Kit dust cover left		
103	01390101	08	Screw	M10x16	
105	08710177	02	Thread guide		
111	09404041	04	Stop-valve	Ø25,4	
111a	09338001	02	Thread guide		

* MAINTENANCE

GVH5 10008 3620



GVH5 10008 3620

RIGID AXLE 10T. BRAKE DRUM 360 x 200

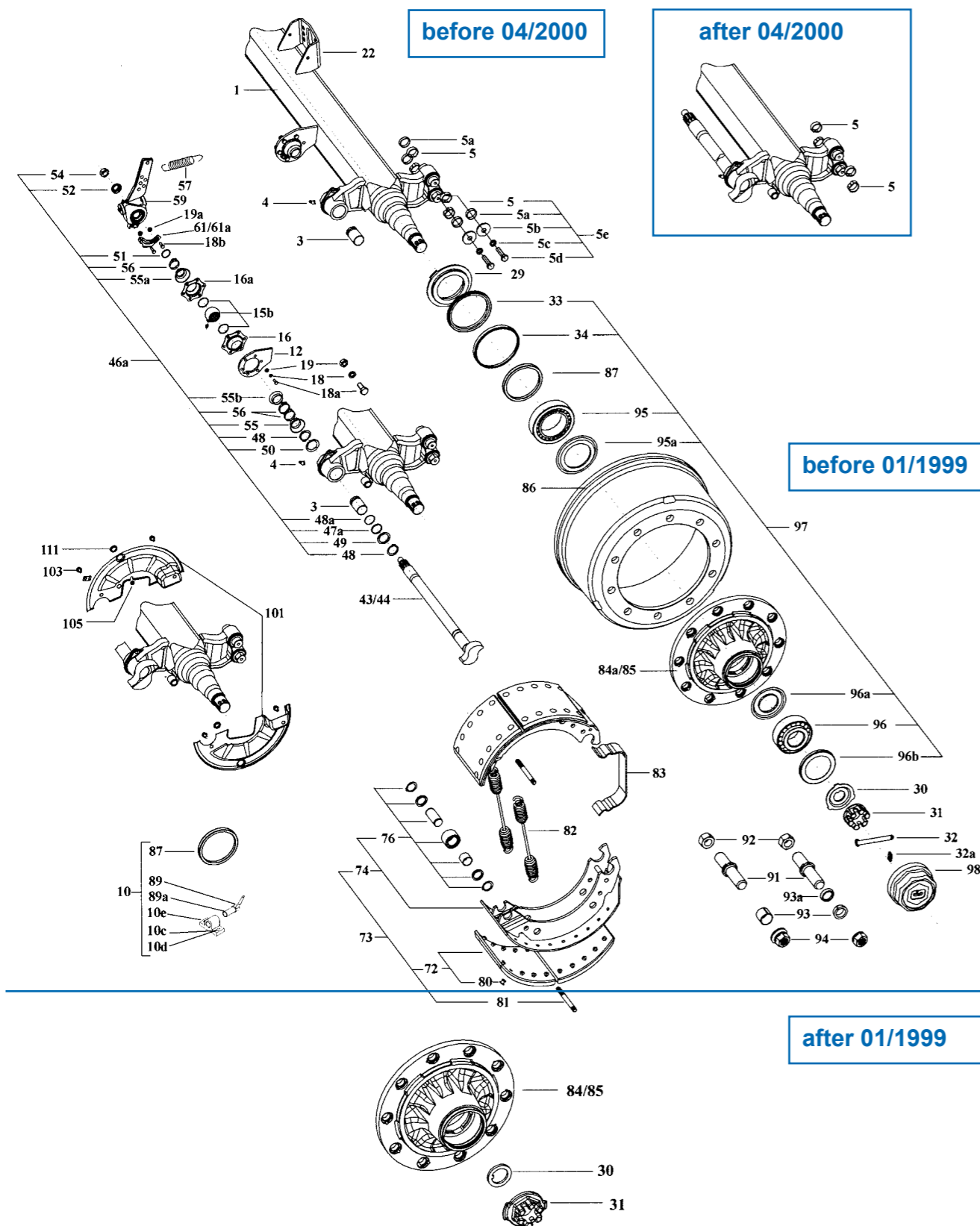
□ 120mm - 8Stud M22-Ø275 S/Z PROTEC. Drawing: 1119-016 / 1119-017 / 1119-018

Running from: 1997

Item	Part-no.	Qty	Designation	Dimension	*
01	Serie-no.	01	Axle		
03	09404037	02	Bush	Ø42x46/72,6	02
04	02411008	02	Grease nipple	M10 45°	
after 04/2000					
05	09215011	08	Anchor pin	Ø31,5x35,5/9,7	08
before 04/2000					
05	09412424	08	Fixed point ring	Ø32x36/12,5	08
05a	06702029	08	Washer	Ø32x45/1,5	
05b	02802010	04	Washer	Ø11x36/2	
05c	02804010	04	Washer	W10	
05d	01310020	04	Screw	M10x20	
05e	09317227	02	Kit repair complet	3020/3620	
10	09272076	01	Kit ABS		
10c	01305012	04	Screw	HM5x12	
10d	02804027	04	Washer	W5	
10e	08902031	02	Inductive sensor ABS bracket		
12	09379035	02	Camshaft bracket		
15b	09272310	02	Knucle assembly		02
16	09404022	02	Bearing box (with grease)		
16a	09404028	02	Bearing box		
18	02803008	12	Washer	Ø8x14/1,8	
18a	01308020	12	Screw	HM8x20	
18b	01308025	04	Screw	HM8x25	
19	02208008	12	Nut	HM8	
19a	02208108	04	Nut	HM8	
	09317118	02	Screw assembly (for AGS)	HM8x20 and 25	
22	09379034	02	Cylinder bracket		
29	09228019	02	Bearing spacer	Ø96x164/22	
after 01/1999					
30	09369013	02	Washer under bearing	Ø53x79/5,8	
31	09400035	02	Spindle nut	M52x2 SW 75	
before 01/1999					
30/31	09317222	02	Kit spindle nut replacement for 09400038		
32	09294004	02	Pin	Ø8x80x83	
32a	09400037	02	Hook	Ø2/8	
33	09400017	02	Grease seal	Ø135x156,7/8	
34	09228018	02	Sealing ring	Ø151x160/12,5	
43	02641676	01	Brake cam left	L=676	
43	02641734	01	Brake cam left	L=734	
44	02640676	01	Brake cam right	L=676	
44	02640734	01	Brake cam right	L=734	
44	02644673	01	Brake cam	«R» L=673	
46a	09317109	01	Mounting kit brake cam	for AGS	
47a	09369006	02	Centering rings	Ø42x46/4	
48	02102014	04	Circlip	Ø42E	
48a	02500040	02	O-ring	Ø40x2,5	
49	02802061	02	Washer	Ø42x55/3	
50	09369007	02	Sealing washer	Ø42x57/2	
51	09400007	02	Circlip	Ø35E	
52	09369004	02	Washer for AGS	Ø22,5x42/11	
54	02212003	02	Locknut	M22x1,5	
55	09356001	02	Cam protection	Ø41/25	
55a	09356003	02	Cam protection	Ø34/26	
55b	09356002	02	Cam protection	Ø41/19	
56	09255001	06	Hose clamp		
57	07203067	02	Ext. release spring	Ø3,5x28,5/157	02
59	09319035	02	AGS		
61	09404042	01	Bracket AGS right		
61a	09404043	01	Bracket AGS left		

* MAINTENANCE

GVH5 10008 3620



GVH5 10008 3620

RIGID AXLE 10T. BRAKE DRUM 360 x 200

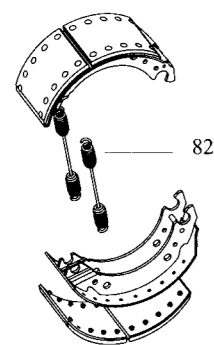
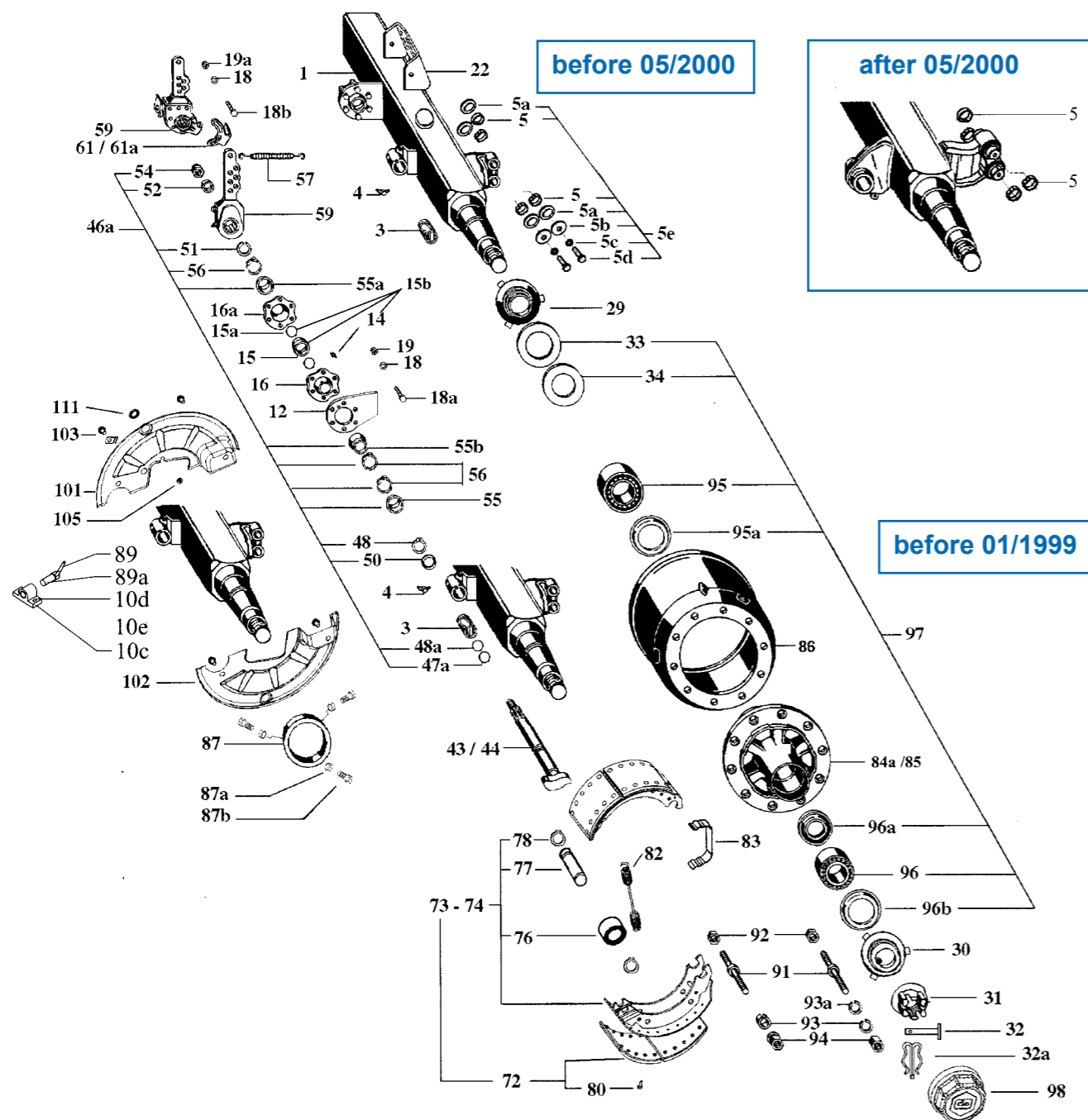
□ 120mm - 8Stud M22-Ø275 S/Z PROTEC. Drawing: 1119-016 / 1119-017 / 1119-018

Running from: 1997

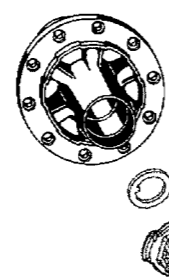
Item	Part-no.	Qte	Designation	Dimension	*
72	09317086	01	Kit brake lining	3620 +0	01
72	09317087	01	Kit brake lining	3620 +1	
73	09317081	02	Complete brake shoe (73=72+74+81+82+83)	3620 +0	02
74	09322022	04	Complete brake shoe Without brake lining	3620	
76	09317772	04	Kit roller		
80	02950001	72	Rivet	Ø8/15	72
81	09226023	04	Fixing spring	Ø12x125/3620	
82	09361009	04	Return spring	Ø24,5/234	02
82	09361014	04	Release spring before 05/2003	Ø28x3,6/180	
83	09361008	02	Fixed point spring		
84	09328083	02	Hub after 01/1999		
			before 01/1999		
84a	09317146	02	Kit hub replacement for hub 09328040 (Parts: 30 / 31 / 84 / 96b)		
85	09294001	20	Grooved pin		10
86	09380018	02	Brake drum	Ø360 L=263	02
87	09264004	02	Ring ABS	Ø170/176x194/17,5	
89	08709158	02	Inductive sensor ABS	L=400	
89a	08505035	02	Bush of sensor		
91	09412416	20	Wheel stud SO	M22x1,5 L=100	8
91	09226004	20	Wheel stud ZO	M22x1,5 L=114	8
92	02208034	20	Back nut	HM22x2/32	8
			For spigot alignment types: S, SM, Z, ZM		
94	08606072	20	Wheel nut SM, ZM	M22x1,5/SW32	8
94	07204023	20	Wheel nut S, Z Single mount S, SM	M22x1,5/SW33	8
93	09268002	04	Centering sleeve Twin mount Z, ZM	Ø21,5x24,5/6	02
93	09268001	04	Centering sleeve For stud alignment: SF, ZF	Ø21,5x24,5/18	02
94	02215005	20	Wheel nut Single mount SF	M22x1,5/SW32	8
93	02804105	20	Spring washer Twin mount ZF	Ø22,5x34/8	8
93	02804105	20	Spring washer	Ø22,5x34/8	8
93a	02804115	20	Plug washer		8
95	10500582	02	Bearing	33118	
95a	09384056	02	Grease seal	Ø94x148/5,5	
96	10500558	02	Bearing	33213	
96a	09384058	02	Grease seal	Ø72x118/5,5	
96b	09384127	02	Grease seal	Ø94x120/9	
97	09317114	02	Kit bearing compl. for 1 hub		02
98	09237012	02	Hub cap	M135x2SW110	
101	09384067	02	Dust cover		
103	01390101	08	Screw	M10x16	
105	08710177	04	Grommet		
111	09404041	04	Plug	Ø25,4	

* MAINTENANCE

GVH5 10010 3020



before 05/2003



after 01/1999

GVH5 10010 3020

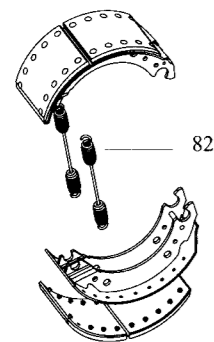
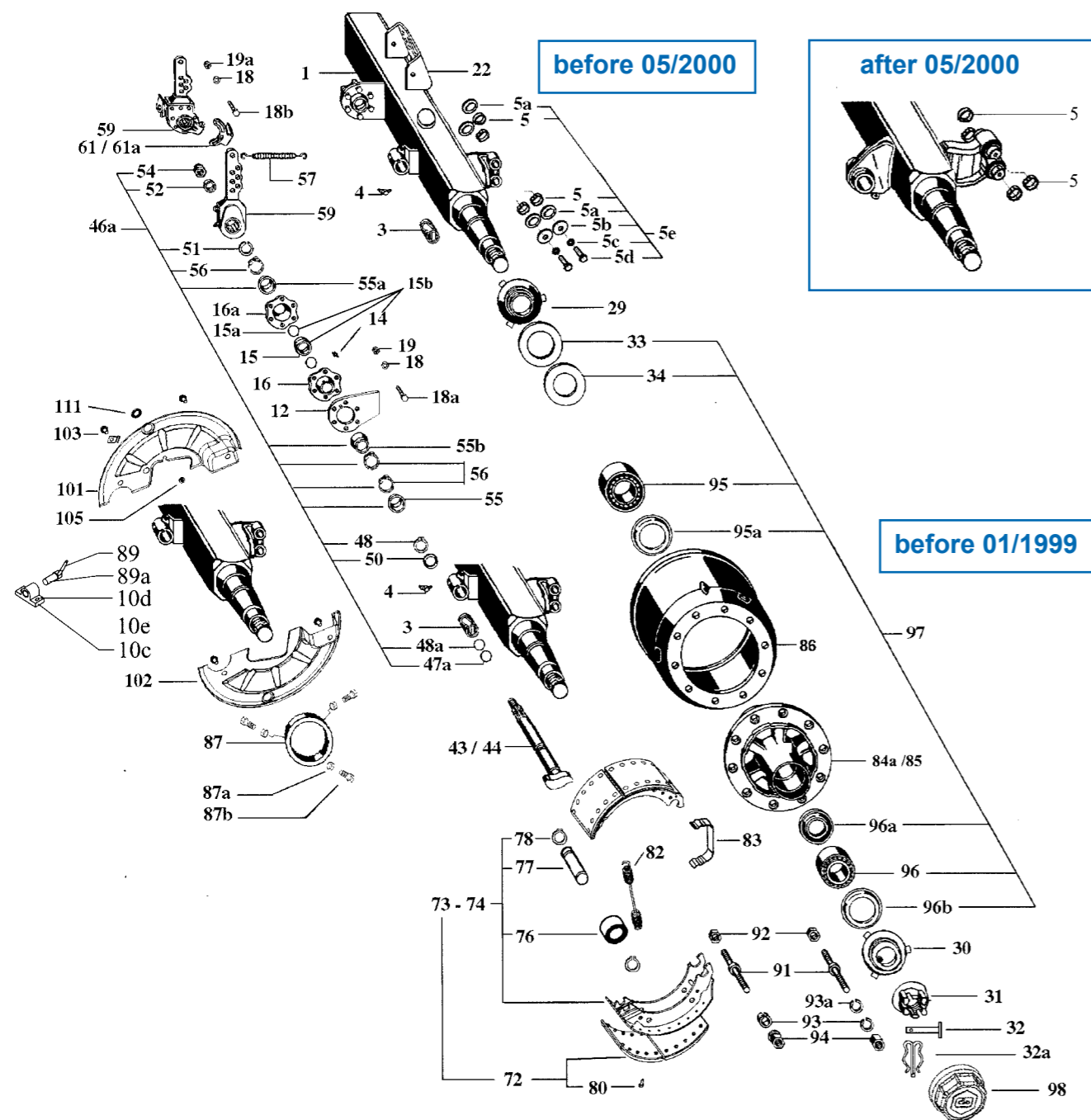
RIGID AXLE 10T. BRAKE DRUM 300 x 200
 □ 120mm - 10Stud M22-Ø225 S/Z PROTEC

Running from: 2000

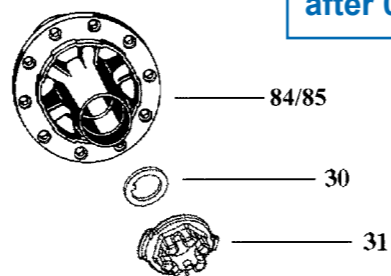
Item	Part-no.	Qty	Designation	Dimension	*
01	Serie-no.	01	Axle		
03	09404037	02	Bush	Ø42x46/72,6	02
04	02411008	02	Grease nipple	M10 45°	
after 05/2000					
05	09215011	08	Fixed point ring	Ø31,5x35,5/9,7	08
before 05/2000					
05	09412424	08	Fixed point ring	Ø32x36/12,5	08
05a	06702029	08	Washer	Ø32x45/1,5	
05b	02802010	04	Washer	Ø11x36/2	
05c	02804010	04	Washer	W10	
05d	01310020	04	Screw	M10x20	
05e	09317227	02	Kit repair complet	3020/3620	
10c	01305012	04	Screw	HM5x12	
10d	02804027	04	Washer	W5	
10e	08902031	02	Inductive sensor ABS bracket		
12	09379035	02	Camshaft bracket		
14	02411001	02	Grease nipple	M8 / 0°	
15	09404023	02	Knucle	Ø42x62/38	
15a	02501005	04	O-ring	Ø2,6xØ42,5x48	
15b	09272310	02	Knucle assembly		02
16	09404022	02	Bearing box (with grease)		
16a	09404028	02	Bearing box		
18	02803008	12	Washer	Ø8x14/1,8	
18a	01308020	12	Screw	HM8x20	
18b	01308025	04	Screw	HM8x25	
19	02208008	12	Nut	HM8	
19a	02208108	04	Nut	HM8	
	09317117	12	Screw assembly (for NGS)	HM8x20	
	09317118	02	Screw assembly (for AGS)	HM8x20 and 25	
22	09379034	02	Cylinder bracket		
29	09228019	02	Bearing spacer	Ø96x164/22	
after 01/1999					
30	09369013	02	Washer under bearing	Ø53x79/5,8	
31	09400035	02	Spindle nut	M52x2 SW 75	
before 01/1999					
30/31	09317222	02	Kit spindle nut replacement for 09400038		
32	09294004	02	Pin	Ø8x80x83	
32a	09400037	02	Hook	Ø2/8	
33	09400017	02	Grease seal	Ø135x156,7/8	
34	09228018	02	Sealing ring	Ø151x160/12,5	
43	02645594	01	Brake cam	«L» L=594	
43	02645634	01	Brake cam	«L» L=634	
43	02645673	01	Brake cam	«L» L=673	
44	02644594	01	Brake cam	«R» L=594	
44	02644634	01	Brake cam	«R» L=634	
44	02644673	01	Brake cam	«R» L=673	
46a	09317110	01	Mounting kit brake cam	for AGS	
47a	09369006	02	Centering rings	Ø42x46/4	
48	02102014	04	Snap ring	Ø42E	
48a	02500040	02	O-ring	Ø40x2,5	
50	09369007	02	Sealing washer	Ø42x57/2	
51	09400007	02	Snap ring	Ø35E	
52	09369004	02	Washer for AGS	Ø22,5x42/11	
52	09369029	02	Washer for NGS	Ø22,5x42/6	
54	02212003	02	Locknut	M22x1,5	
55	09356001	02	Cam protection	Ø41/25	
55a	09356003	02	Cam protection	Ø34/26	
55b	09356002	02	Cam protection	Ø41/19	
56	09255001	06	Hose clamp		
57	07203067	02	Adjusting spring	Ø3,5x28,5/157	02
59	09319019	02	NGS		
59	09319035	02	AGS		
61	09404042	01	Bracket AGS right		
61a	09404043	01	Bracket AGS left		

* MAINTENANCE

GVH5 10010 3020



before 05/2003



after 01/1999

GVH5 10010 3020

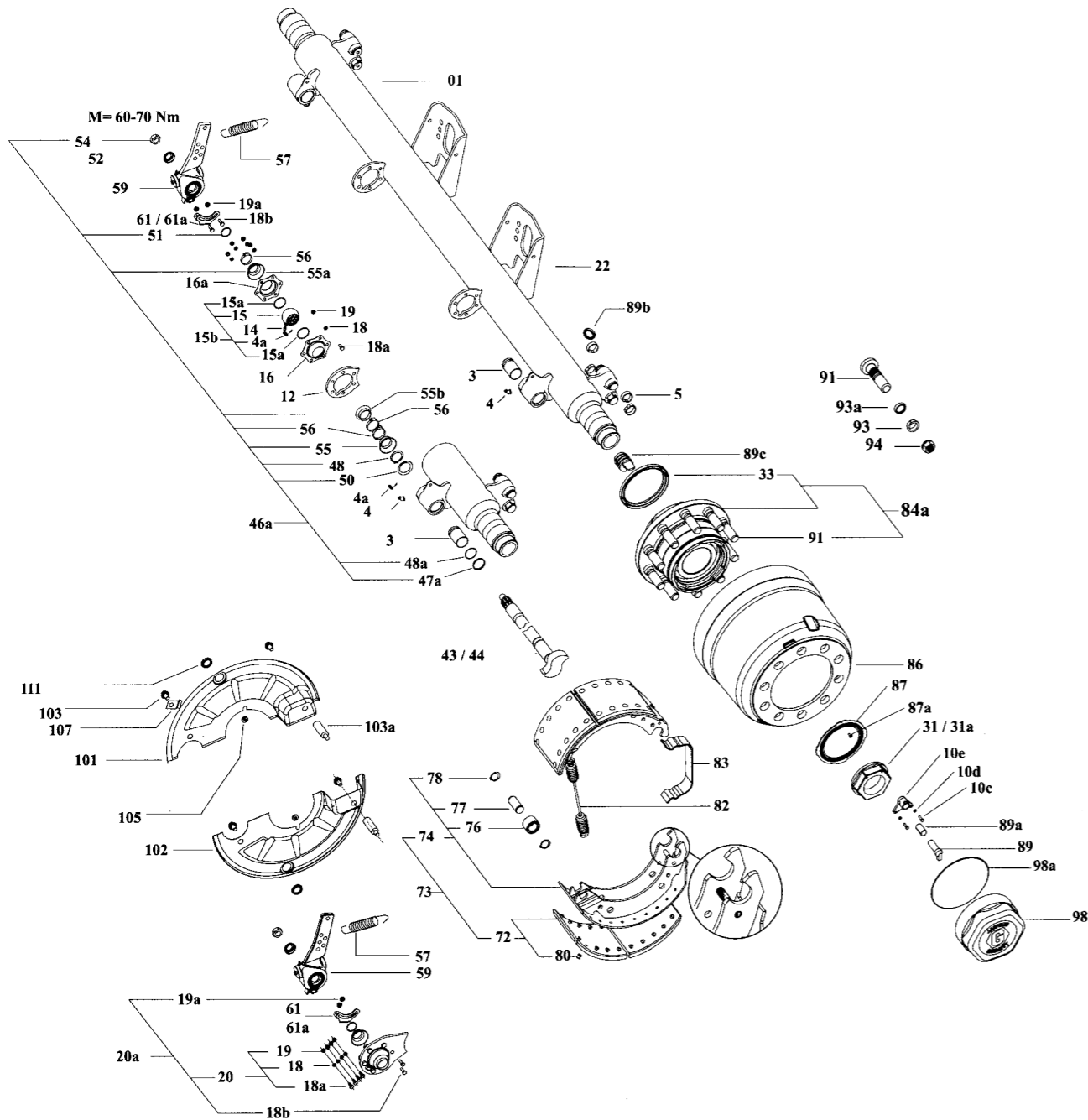
RIGID AXLE 10T. BRAKE DRUM 300 x 200
 □ 120mm - 10Stud M22-Ø225 S/Z PROTEC

Running from: 2000

Item	Part-no.	Qty	Designation	Dimension	*
72	09317084	01	Kit brake lining	3020 +0	01
72	09317085	01	Kit brake lining	3020 +1	
73	09317080	02	Complete brake shoe (73=72+74+82+83)	3020 +0	02
74	09322049	04	Complete brake shoe Without brake lining	3020/2003	
76	09290004	04	Roller	Ø26x45/33,5	
77	09226076	04	Roller pin	Ø26/61	
78	02102026	08	Snap ring	Ø26E	
80	02950001	80	Rivet	Ø8/15	72
82	09361022	02	Release spring after 05/2003	Ø28x5/177	02
82	09361014	04	Release spring before 05/2003	Ø28x3,6/180	
83	09361021	02	Fixed point spring		
84	09328082	02	Hub after 01/1999		
			before 01/1999		
84a	09317174	02	Kit hub replacement for hub 09328041 (Parts: 30 / 31 / 84 / 96b)		
85	09294001	20	Grooved pin		10
86	09380005	02	Brake drum	Ø300 L=260	02
87	09264004	02	Ring ABS	Ø170/176x194/17,5	
87a	09412385	06	Nut	M6	
87b	09412384	06	Screw without head	M6x16	
89	08709158	02	Inductive sensor ABS	L=400	
89a	08505035	02	Bush of sensor		
91	09412416	20	Wheel stud SO	M22x1,5 L=100	10
91	09226004	20	Wheel stud ZO	M22x1,5 L=114	10
92	02208034	20	Nut	HM22x2/32	10
			For spigot alignment types: S, SM, Z, ZM		
94	08606072	20	Wheel nut SM, ZM	M22x1,5/SW32	10
94	07204023	20	Wheel nut S, Z	M22x1,5/SW33	10
			Single mount S, SM		
93	09268002	04	Spring washer	Ø21,5x24,5/6	02
			Twin mount Z, ZM		
93	09268001	04	Spring washer	Ø21,5x24,5/18	02
			For stud alignment: SF, ZF		
94	02215005	20	Wheel nut	M22x1,5/SW32	10
			Single mount SF		
93	02804105	20	Spring washer	Ø22,5x34/8	10
			Twin mount ZF		
93	02804105	20	Spring washer	Ø22,5x34/8	10
93a	02804115	20	Plug washer		10
95	10500582	02	Bearing	33118	
95a	09384056	02	Grease seal	Ø94x148/5,5	
96	10500558	02	Bearing	33213	
96a	09384058	02	Grease seal	Ø72x118/5,5	
96b	09384127	02	Grease seal	Ø94x120/9	
97	09317114	02	Kit bearing compl. for 1 hub		02
98	09237012	02	Hub cap	M135x2SW110	
101	09384111	02	Dust cover		
102	09384112	02	Dust cover		
103	01390101	08	Screw	M10x16	
105	08710177	04	Thread guide		
111	09404041	04	Stop-valve	Ø25,4	

* MAINTENANCE

GKH1 10510 3020



GKH1 10510 3020

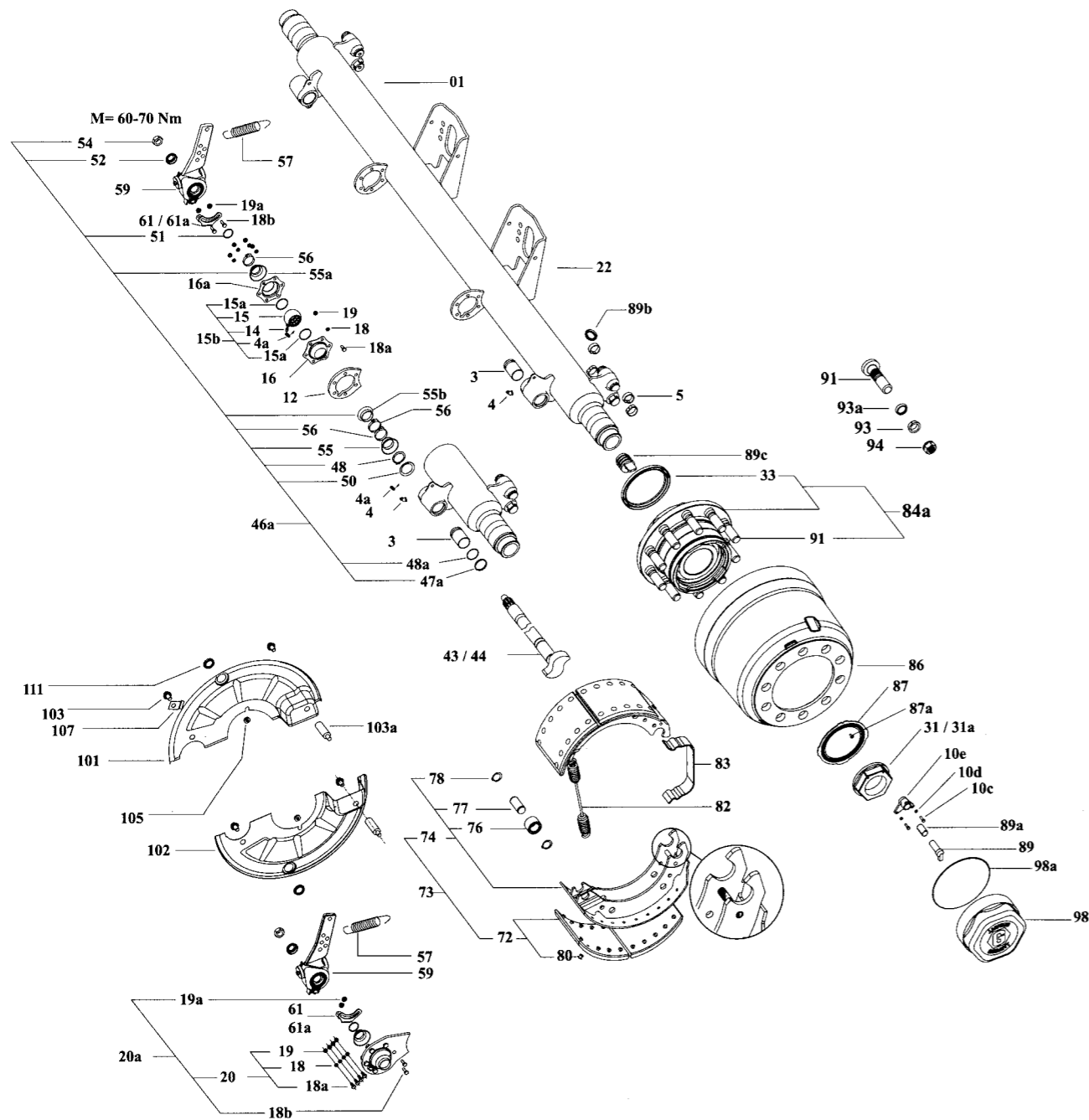
RIGID AXLE 10,5T. BRAKE DRUM 300 x 200
Ø127mm - ET0 - 10 stud M22-Ø225 Z

Running from: 11/2003

Item	Part-no.	Qty	Designation	Dimension	*
01	Serie-no.	01	Axle		
03	09404037	02	Bush	Ø42x46/72,6	02
04	02411002	02	Grease nipple	M8 45°	
04a	080702017	04	Grease nipple cap		
05	09215011	08	Fixed point ring	Ø31,5x35,5/9,7	08
10c	01305016	04	Screw	M5x16	
10d	02804027	04	Washer	W5	
10e	09379582	02	Inductive sensor ABS bracket		
12	09379529	02	Camshaft bracket		
14	02411001	02	Grease nipple	M8 / 0°	
15a	02501005	04	O-ring	Ø2,6x Ø42,5x48	
15b	09272310	02	Knucle assembly		02
16	09404022	02	Bearing box (with grease)		
16a	09404028	02	Bearing box		
18	02803008	12	Washer	Ø8x14/1,8	
18a	01308020	12	Screw	HM8x20	
18b	01308025	04	Screw	HM8x25	
19	02208008	12	Nut	HM8	
19a	02208108	04	Nut	HM8	
20	09317117	02	Screw assembly (for NGS)	HM8x20	
20a	09317118	02	Screw assembly (for AGS)	HM8x20 and 25	
22	09379528	02	Cylinder bracket		
31	09400472	01	Spindle nut right	M68x1,5 SW95	
31a	09317222	02	Spindle nut left	M68x1,5 SW95	
33	02002116	02	Grease seal	Ø125x150,12	02
			Item 33 before Dec. 2003		
			Item 33 after Dec. 2003		
			Grease seal modified (in Hub part 84a)		
43	Serie-no.	01	Brake cam	«R»	
44	Serie-no.	01	Brake cam	«L»	
46a	09317110	01	Mounting kit brake cam for AGS	3020/3010	
47a	09369006	02	Centering rings	Ø42x46/4	
48	02102014	04	Snap ring	Ø42E	
48a	02500040	02	O-ring	Ø40x2,5	
50	09369007	02	Sealing washer	Ø42x57/2	
51	09400007	02	Snap ring	Ø35E	
52	09369004	02	Washer for AGS	Ø22,5x42/11	
52	09369029	02	Washer for NGS	Ø22,5x42/6	
54	02212003	02	Locknut	M22x1,5	
55	09356001	02	Cam protection	Ø41/25	
55a	09356003	02	Cam protection	Ø34/26	
55b	09356002	02	Cam protection	Ø41/19	
56	09255001	06	Hose clamp		
57	07203067	02	Adjusting spring	Ø3,5x28,5/157	02
59	09319019	02	NGS R120/150/180/220/250		
59	09319300	02	AGS R105/120/135/150/165/180/250S_ABA		
61	09404042	01	Bracket AGS right		
61a	09404043	01	Bracket AGS left		

* MAINTENANCE

GKH1 10510 3020



GKH1 10510 3020

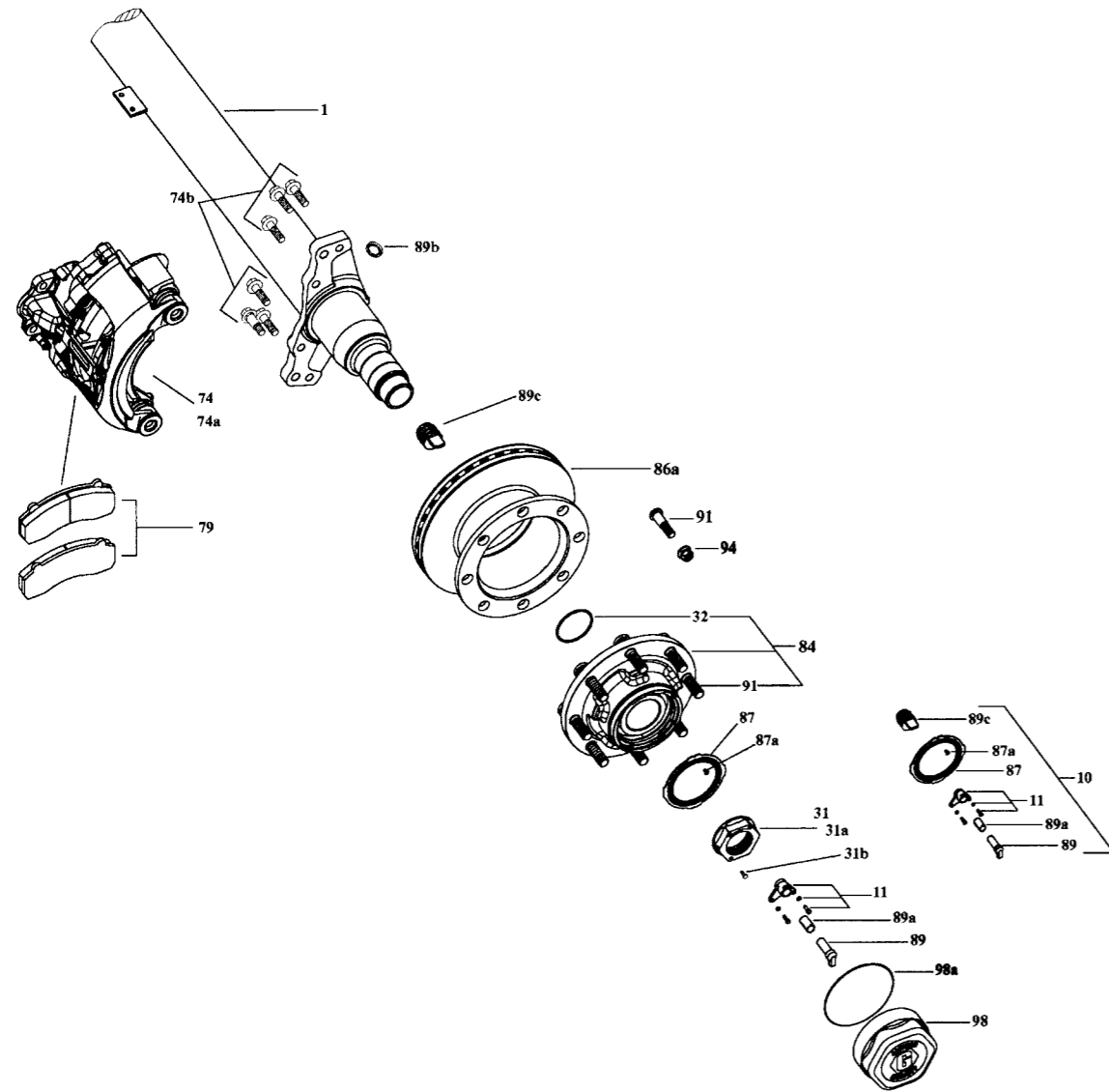
RIGID AXLE 10,5T. BRAKE DRUM 300 x 200
Ø127mm - ET0 - 10 stud M22-Ø225 Z

Running from: 11/2003

Item	Part-no.	Qty	Designation	Dimension	*
72	09317084	01	Kit brake lining +0	3020 +0	01
72	09317085	01	Kit brake lining	3020 +1	
73	09317080	02	Complete brake shoe (73=72+74+82+83)	3020 +0	02
74	09322049	04	Complete brake shoe without brake lining	3020	
76	09290004	04	Roller	Ø26x45/33,5	
77	09226076	04	Roller pin	Ø26/61	
78	02102026	08	Snap ring	Ø26/61	
80	02950001	64	Rivet	Ø8/15	64
82	09361022	02	Release spring		02
83	09361021	02	Fixed point spring		
84a	09272683	02	Complete hub with wheel stud	Z0	
86	09380037	02	Brake drum	3020 L=260	02
87	09264049	02	Ring ABS		
87a	01605010	02	Screw ULS	M5x10	
89	08709159	02	Inductive sensor ABS	L=1000	
89a	08505035	02	Bush of sensor		
89b	09237017	02	Cap pass cable	Ø22x4.4/23	
89c	09404038	02	Cap pass cable		
91	09226008	20	Wheel stud Z0	M22x1,5 L=100	10
For spigot alignment types: Z, ZM					
94	08606072	20	Wheel nut ZM	M22x1,5/SW32	10
94	07204023	20	Wheel nut Z	M22x1,5/SW33	10
93	09268001	04	Spring washer	Ø21,5x24,5/18	02
For stud alignment: ZF					
94	02215005	20	Wheel nut	M22x1,5/SW32	10
93	02804105	20	Spring washer	Ø22,5x34/8	10
93a	02804115	20	Plug washer		10
98	09237085	02	Hub cap	M170x2 SW160	
98a	02500160	02	O-ring	Ø160x3	
101	09384403	02	Dust cover		
102	09384404	02	Dust cover		
103	01390101	08	Screw	M10x16	
103a	09271046	04	Distance sleeve		
105	08710177	04	Thread guide		
107	09110002	02	Clamp for cable ABS		
111	09404041	04	Stop-valve	Ø25,4	

* MAINTENANCE

DKH2 10008 3745



DKH2 10008 3745

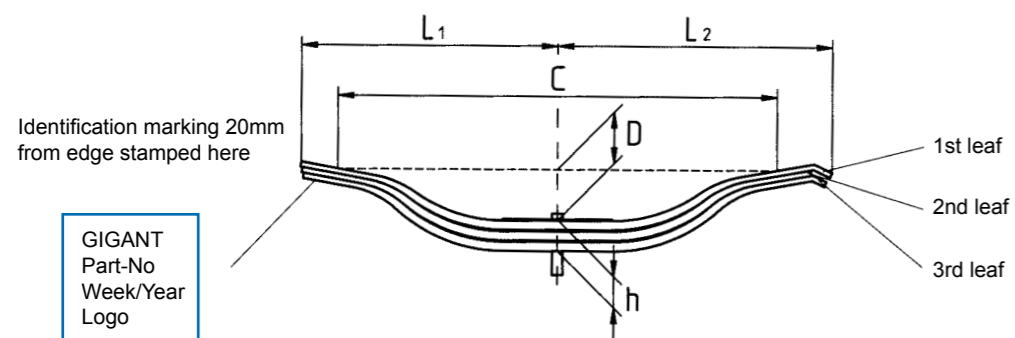
RIGID AXLE 10t DISKBRAKE Ø 377
 Ø127 - Offset 0-8 Stud M22 - Ø275

Running from: 01/2007

Item	Part-no.	Qte	Designation	Dimension	*
1		1	Axle beam according to serie-no. of axle		
10	09317864	1	Kit ABS 80teeth/ Offset 0		
11	09317752	2	Kit ABS sensor bracket for offset 0 with screw and washer		
31	09400535	1	Spindle nut right	M68x1,5 SW 95	
31a	09400536	1	Spindle nut left	M68x1,5 SW 95	
31b	01306016	2	Screw	M6x16	
32	02500084	2	O-ring	Ø84x4	
74b	09317794	2	Kit screw for 1 brake		
			DISKBRAKEK NORR 3745K		
74	09285288	1	Brakecaliper per A without brake pads		
74a	09285287	1	Brakecaliper per without brake pads	DB19 Modul X	
79	09317330	1	Kit brakeli ning	DB19 Modul X	
			DISKBRAKEK ALDEX 3745H		
	EA0002		Disk brake Haldex-component parts		
74	09285255	2	Brakecaliper per without brake pads	DB19 Modul X	
79	09291073	1	Kit brakeli ning	DB19 Modul X	
			DISKBRAKE WABCO 3745W		
74	09285257	1	Brakecaliper per left without brake pads	PAN 19-1+	
74a	09285258	1	Brakecaliper per right without brake pads	PAN 19-1+	
79	09291056	1	Kit brakeli ning	PAN 19-1/19-1+	
			For SO / SAO/ZO		
84	09272980	2	Hub complete with wheel stud part 91 and o-rings parts 32 and 98a		
			For Z AO		
84	09272981	2	Hub complete with wheel stud part 91 and o-rings parts 32 and 98a		
86a	09267088	2	Brake disk 3745B=159,5	8xØ26,5/275	
87	09264049	2	ABS sensor ring 80teeth		
87a	01605010	2	Screw	M5x10	
89	09246003	2	Inductive sensor ABS (incl. part 89b)	L=1000	
89a	08505035	2	Bush of sensor		
89b	09237017	2	Cap passca ble	Ø22x4,4/23	
89c	09404038	2	Cap passca ble		
			For SO/ SAO/ZO		
91	09713579	16	Wheel stud	M22x1,5x95	8
			For Z AO		
91	09226108	16	Wheel stud	M22x1,5x108	8
94	08606072	16	Spigot wheel nut	M22x1,5 SW32	8
94	07204023	16	Spigot wheel nut	M22x1,5 SW33	8
98	09237085	2	Hubcap	M170x2 SW 160	
98a	02500160	2	O-ring	Ø160x3	

* MAINTENANCE

LK Parabolic-Springs wheel base 1310



Spring width 80

Spring Type Part-No	Spring Bolt Part-No	Axle Load t	L1	L2	C	D	h	Leaves Qty. x Thickness
LK 1310/40-80 PS4 00419006	AM 14x100/K20x544 0019606	8	550	580	910	67	80	4 x 18

Spring width 100

Spring Type Part-No	Spring Bolt Part-No	Axle Load kg	L1	L2	C	D	h	Leaves Qty. x Thickness
LK 1310/40 P 00419019	AM 16x80/K24x54 00419644	8	565	595	910	105	63	3 x 18
LK 1310/40 P -40°C 00419098	AM 16x70/K24x54 00419622	8	560	590	910	105	50	2 x 22
LK 1310/40 P2 00419076								
LK 1310/40 P4 00419066	AM 16x90/K24x54 00419630	8	560	595	910	101	72	4 x 16
LK 1310/45 P 00419077	AM 16x85/K24x54 00419636	9	565	595	910	107	66	3 x 19
LK 1310/45 P2 00419039	AM 16x70/K24x54 00419622	9	565	600	910	116	55	2 x 23
LK 1310/50 P 00419033	AM 16x90/K24x54 00419630	10	565	600	910	115	69	3 x 20
LK 1310/50 P2 00419084	AM 16x75/K24x54 00419632	10	570	600	910	122	56	2 x 25
LK 1310/50 P 00419067	AM 16x100/K24x54 00419613	10	560	595	910	106	80	4 x 18
LK 1310/60 P 00419040	AM 16x95/K24x54 00419634	12	560	590	910	101	75	3 x 22
LK 1310/65 P 00419086	AM 16x100/K24x54 00409613	13	575	605	910	130	78	3 x 23
LK 1310/75 P4 00429110*	AM 16x120/K24x54 00419679	15	555	585	910	79	100	4 x 22

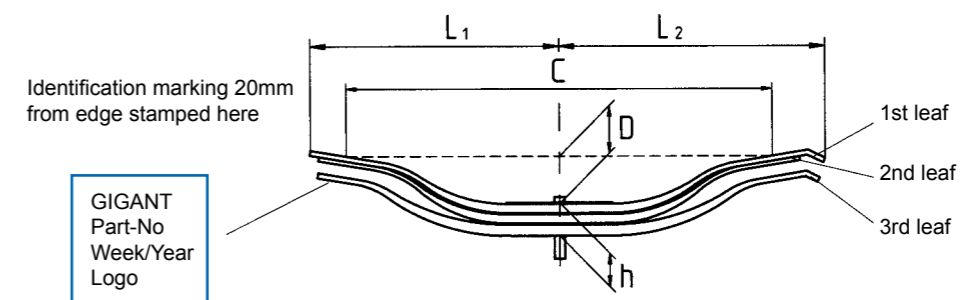
Part-No. for 1st leaf:	004193XX
Part-No. for 2nd leaf:	004194XX
Part-No. for 3rd leaf:	004195XX
Part-No. for 4th leaf:	004198XX

Part-No. for 1st leaf:	004293XX
Part-No. for 2nd leaf:	004294XX
Part-No. for 3rd leaf:	004295XX
Part-No. for 4th leaf:	004298XX

XX = according to Part-No. of the spring

LK Parabolic- and Low-Loader Parabolic-Springs (twin-staged)

wheel base: 1310 / 1400



Spring width 100

Spring Type Part-No	Spring Bolt Part-No	Axle Load kg	L1	L2	C	D	h	Leaves Qty. x Thickness
LK 1310/40 P2.1 00419068	AM 16x90/K24x54 00419630	8	650	595	910	103	69	2 x 18 1 x 24
LK 1310/45 P2.1 00419075	AM 16x90/K24x54 00419630	9	565	600	910	109	70	2 x 18 1 x 25
LK 1310/45 P2.1-45°C 00429128*								
LK 1310/50 P2.1 00419071	AM 16x90/K24x54 00419630	10	565	600	910	116	72	2 x 19 1 x 25

LK 1400/40 P2.1 00419074	AM 16x90/K24x54 00419630	8	610	650	1000	100	69	2 x 19 1 x 22
LK 1400/45 P2.1 00419037	AM 16x95/K24x54 00419634	9	605	650	1000	106	73	2 x 19 1 x 26
LK 1400/50 P2.1 00419073	AM 16x95/K24x54 00419634	10	605	650	1000	100	77	2 x 21 1 x 26
LK 1400/60 P3.1 00419056	AM 16x115/K24x54 00419656	12	605	645	1000	100	95	3 x 19 1 x 26

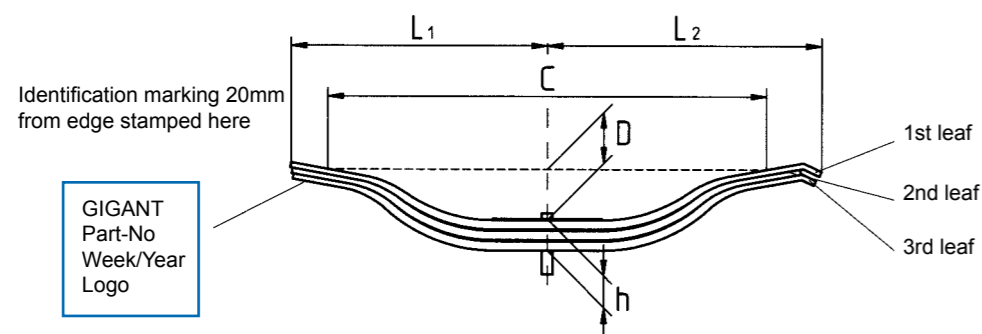
LK 1400/50 PT1.1 00419069	AM 16x85/K24x54 00419636	10	620	625	1000	55	60 (63)	1 x 25 1 x 26
-------------------------------------	-----------------------------	----	-----	-----	------	----	------------	------------------

Part-No. for 1st leaf:	004193XX
Part-No. for 2nd leaf:	004194XX
Part-No. for 3rd leaf:	004195XX
Part-No. for 4th leaf:	004198XX

Part-No. for 1st leaf:	004293XX
Part-No. for 2nd leaf:	004294XX
Part-No. for 3rd leaf:	004295XX

XX = according to Part-No. of the spring

LK Parabolic-Springs wheel base 1400



Spring width 80

Spring Type Part-No	Spring Bolt Part-No	Axle Load t	L1	L2	C	D	h	Leaves Qty. x Thickness
LK 1400/20-80 P 00419004	AM 14x60/K20x54 00419604	4	610	650	1000	110	44	2 x 19
LK 1400/30-80 P 00419007	AM 14x85/K20x54 00419616	6	610	650	1000	110	66	3 x 19
LK 1400/40-80 P 00419023	AM 14x90/K20x54 00419626	8	605	645	1000	102	72	3 x 21

Spring width 100

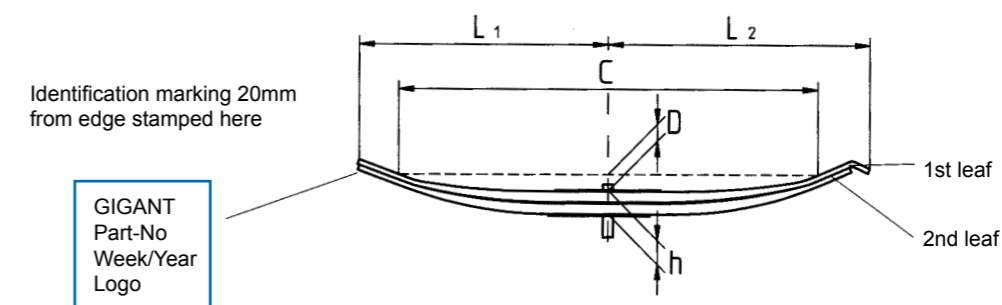
Spring Type Part-No	Spring Bolt Part-No	Axle Load t	L1	L2	C	D	h	Leaves Qty. x Thickness
LK 1400/30 P 00419010	AM 16x75/K24x54 00419632	6	610	650	1000	110	57	3 x 16
LK 1400/40 P 00419021	AM 16x85/K24x54 00419636	8	610	650	1000	110	66	3 x 19
LK 1400/40 P -30° 00419090								
LK 1400/40 P -40° 00419089								
LK 1400/40 P4 00419078	AM 16x95/K24x54 00419634	8	610	655	1000	115	76	4 x 16
LK 1400/40 P4/3 00429135*	AM 16x75/K24x54 00419632							
LK 1400/50 P 00419031	AM 16x90/K24x54 00419630	10	610	650	1000	115	72	3 x 21
LK 1400/50 P -30° 00419091								
LK 1400/50 P -40° 00419097								
LK 1400/50 P4 00419087	AM 16x105/K24x54 00419687	10	585	625	1000	100	84	4 x 18
LK 1400/60 P 00419043	AM 16x100/K24x54 00419613	12	610	650	1000	110	78	3 x 23
LK 1400/60 P -40° 00419041								
LK 1400/80 P 00419063	AM 16x110/K24x54 00419663	16	610	650	1000	110	90	3 x 27

Part-No. for 1st leaf:	004193XX
Part-No. for 2nd leaf:	004194XX
Part-No. for 3rd leaf:	004195XX
Part-No. for 4th leaf:	004198XX

* Part-No. for 1st leaf:	004293XX
* Part-No. for 2nd leaf:	004294XX
* Part-No. for 3rd leaf:	004295XX

XX = according to Part-No. of the spring

LK Low-Loader Parabolic-Springs wheel base 1400 / 1600



Spring width 100

Spring Type Part-No	Spring Bolt Part-No	Axle Load t	L1	L2	C	D	h	Leaves Qty. x Thickness
LK 1400/40 PT 00419022	AM 16x75/K24x54 00419632	8	600	630	1000	40	52 (55)	2 x 23
LK 1400/50 PT 00419032	AM 16x80/K24x54 00419644	10	600	630	1000	40	56 (59)	2 x 25
LK 1400/50 PT-30°C 00419092								
LK 1400/50 PT4 00416032**	AM 16x105/K24x54 00419687	10	600	630	1000	40	84 (87)	4 x 18
LK 1400/60 PT 00419044	AM 16x85/K24x54 00419636	12	600	625	1000	40	64 (67)	2 x 29
MLK 1400/60 PT 00419047	AM 16x85/K24x54 00419636	12	600	625	1000	30	64 (67)	2 x 29
LK 1400/80 PT 00419064	AM 16x115/K24x54 00419656	16	600	625	1000	50	90 (93)	3 x 27
LK 1400/80 PT-45°C 00429123*								
LK 1400/100 PT 00419079	AM 16x120/K24x54 00419679	20	600	625	1000	50	99 (102)	3 x 30
LK 1600/60 PT 00416046**	AM 16x105/K24x54 00419687	12			1200	40	84 (87)	3 x 25

Part-No. for 1st leaf:	004193XX
Part-No. for 2nd leaf:	004194XX
Part-No. for 3rd leaf:	004195XX

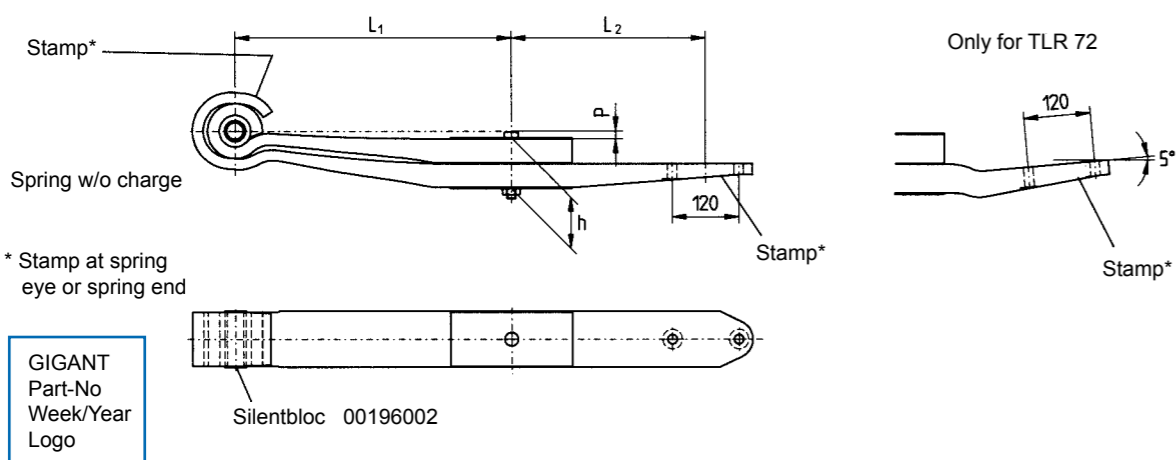
* Part-No. for 1st leaf:	004293XX
* Part-No. for 2nd leaf:	004294XX
* Part-No. for 3rd leaf:	004295XX

** Part-No. for 1st leaf:	004163XX
** Part-No. for 2nd leaf:	004164XX
** Part-No. for 3rd leaf:	004165XX
** Part-No. for 4th leaf:	004168XX

XX = according to Part-No. of the spring

Straight Air Suspension Springs TLR

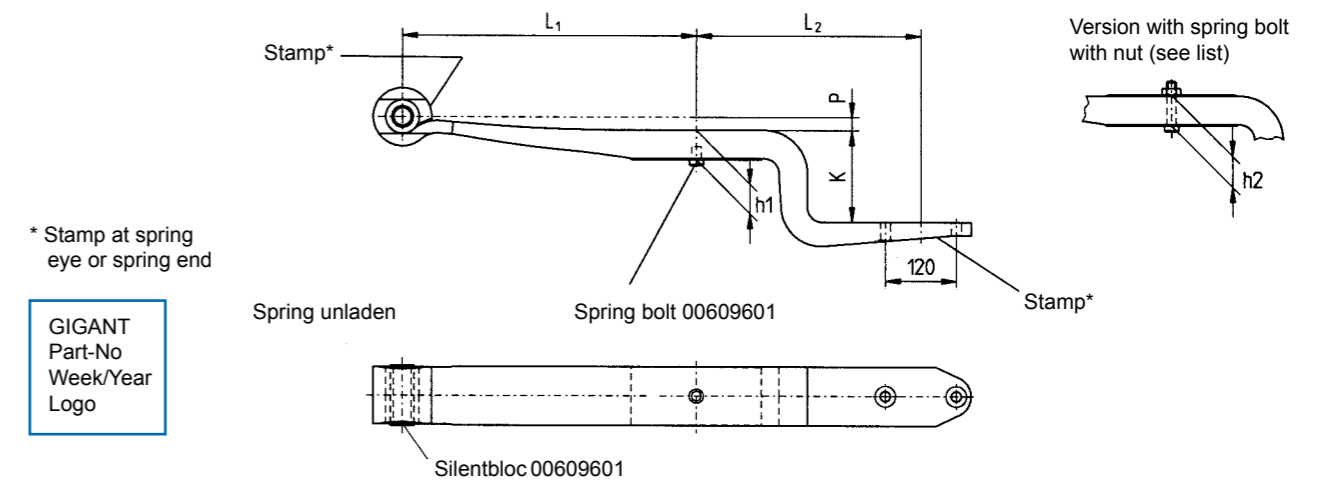
Two-Leaf Spring



Spring Type Part-No	Spring Bolt Part-No	Spring width	Axle Load kg	L1	L2	P	h	Leaves Qty. x Thickness	Crank K
TLR 60 00639025	AM 16x110/K24x10 00609771	100	12000	500	350	14	92	2 x 43	-
TLR 50.42/65 00639010	AM 16x120/K24x10 00609702	100	13000	500	420	13	102	2 x 48	-
TLR 55.38/60 00639054	AM 16x110/K24x10 00609771	100	12000	550	375	33	92	2 x 43	-
TLR 72/50-12 00639006	AM 16x130/K24x10 00609772	100	10000	720	320	13	110	2 x 52	12,5

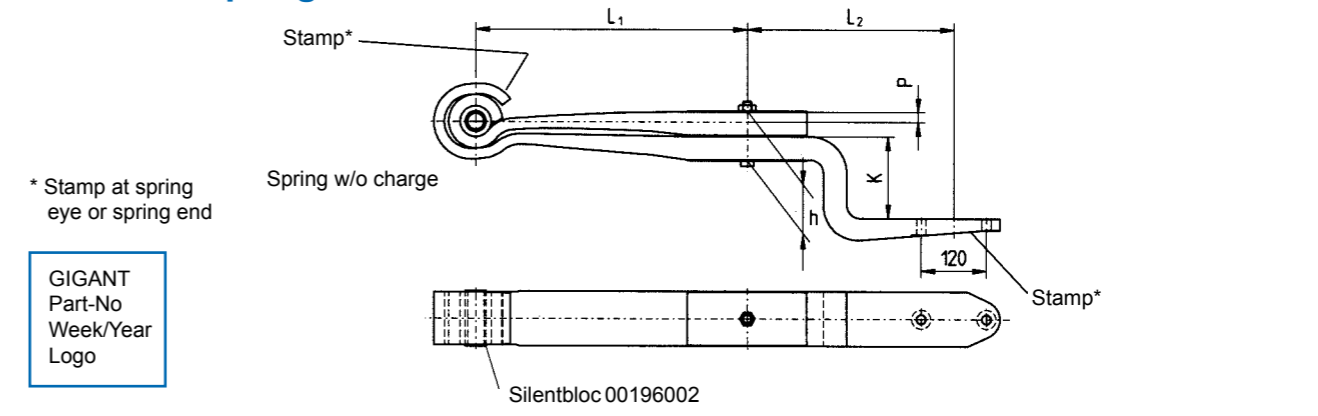
Straight Air Suspension Spring NLR

One-Leaf Spring



Spring Type Part-No	Spring Bolt Part-No	Spring Width	Axle Load kg	L1	L2	P	h1	h2	Thickness of Leaf	Crank K
NLR 45.1 00639002	M 16x75/K24x10 00609796	100	9000	500	380	22	50	52	1 x 48	155
NLR 50.35/45.1 00639019	-	100	9000	500	350	22	50	-	1 x 48	115
NLR 50.35/45.1Kr115 00639020	-	100	9000	500	350	-36	50	-	1 x 48	115
NLR 60.1 00639003	M 16x80/K24x10 00609740	100	12000	500	380	14	28	60	1 x 56	155

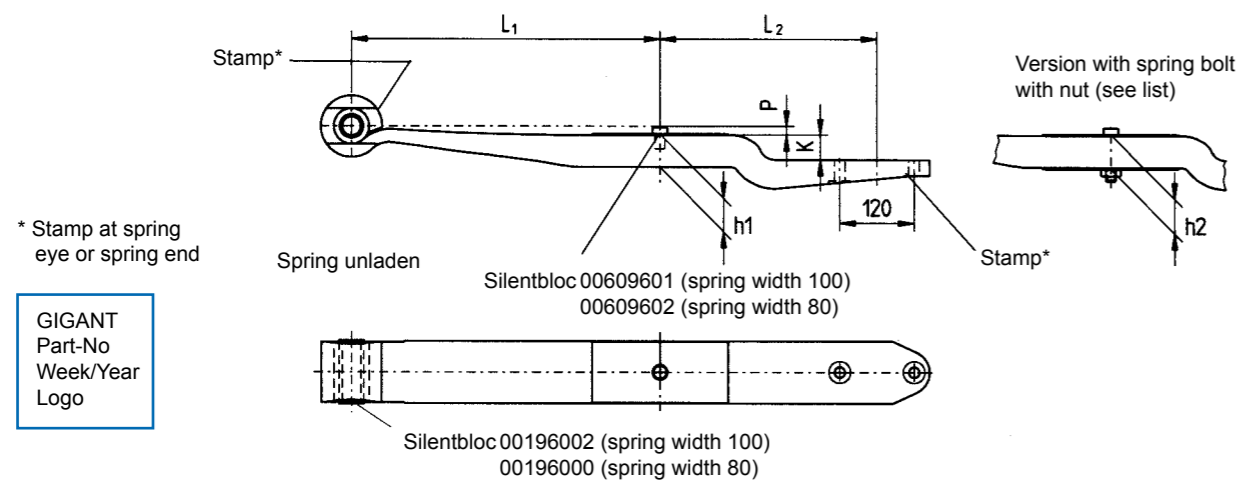
Two-Leaf Spring



Spring Type Part-No	Spring Bolt Part-No	Spring Width	Axle Load kg	L1	L2	P	h	Leaves Qty. x Thickness	Crank K
NLR 60 00639023	AM 16x110/K24x10 00609771	100	12000	500	380	18	92	2 x 43	150

Straight Air Suspension Spring TLR and TNL

One-Leaf Spring



TLR

Spring Type Part-No	Spring Bolt Part-No	Spring Width	Axle Load kg	L1	L2	P	h1	h2	Thickness of Leaf	Crank K
TLR 43/35,5.1-80** 00639007	M 12x65/K20x10 00609766	80	6500	430	285	34	47	49	1 x 45	34
TLR 43/40.1** 00639008	M 16x75/K24x10 00609796	100	8000	430	285	34	50	52	1 x 48	34
TLR 45.1 00639004	M 16x75/K24x10 00609796	100	9000	500	350	14	50	52	1 x 48	39
TLR 50.31/45.1 00639014	M 16x75/K24x10 00609796	100	9000	500	310	22	50	52	1 x 48	12
TLR 50.38/45.1 00639034	M 16x75/K24x10 00609796	100	9000	500	380	5	53	55	1 x 51	0
TLR 55.35/45.1 00639055	-	100	9000	550	350	13	53	-	1 x 51	0
TLR 60.1 00639005	M 16x80/K24x10 00609740	100	12000	500	350	14	58	60	1 x 56	39
TLR 50.42/45.1 00639009	M 16x75/K24x10 00609796	100	9000	500	420	14	53	55	1 x 51	44

** Stamp at spring eye

TNL

Spring Type Part-No	Spring Bolt Part-No	Spring Width	Axle Load kg	L1	L2	P	h1	h2	Thickness of Leaf	Crank K
TNL 45.1 00639015	M 16x75/K24x10 00609796	100	9000	500	380	22	50	85	1 x 48	155
TNL 45.1 00639027	M 16x75/K24x10 00609796	100	9000	500	380	14	53	55	1 x 51	80
TNL 60.1 00639026	M 16x80/K24x10 00609740	100	12000	500	380	14	-	62	1 x 56	80
TNL 60.1/KR45 00639032	M 16x80/K24x10 00609740	100	12000	500	380	-20	58	60	1 x 56	45

LR 43 and LR 50

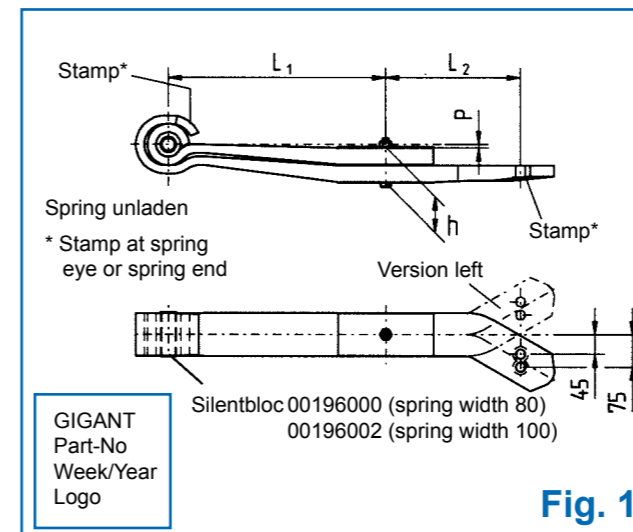


Fig. 1

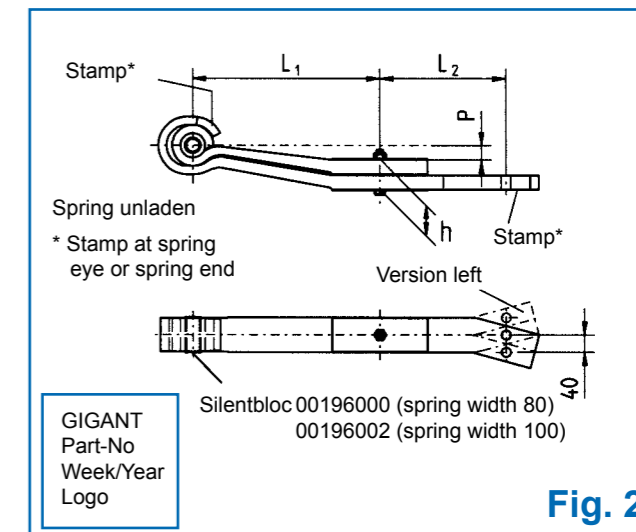


Fig. 2

LR 43

Spring Type Part-No	Spring Bolt Part-No	Spring width	Axle Load kg	L1	L2	P	h	Leaves Qty. x Thickness	Fig
LR 43.29/30-80 L/R 00619020/1	AM 12x85/K20x10 00609755	80	6000	430	290	33	72	2 x 33	2
LR 43.29/40 L/R 00619022/3	AM 16x90/K24x10 00609760	100	8000	430	290	33	72	2 x 33	2

LR 50

Spring Type Part-No	Spring Bolt Part-No	Spring width	Axle Load kg	L1	L2	P	h	Leaves Qty. x Thickness	Fig
LR 50.31/40 L/R 00619010/1	AM 16x90/K24x10 00609760	100	8000	500	310	18	72	2 x 33	1
LR 50.31/50 L/R 00619012/3	AM 16x100/K24x10 00609778	100	10000	500	310	8	82	2 x 38	1
LR 50.31/60 L/R 00619014/5	AM 16x110/K24x10 00609771	100	12000	500	310	2	92	2 x 43	1

Two-Leaf Springs NLR 50 and NLR 55

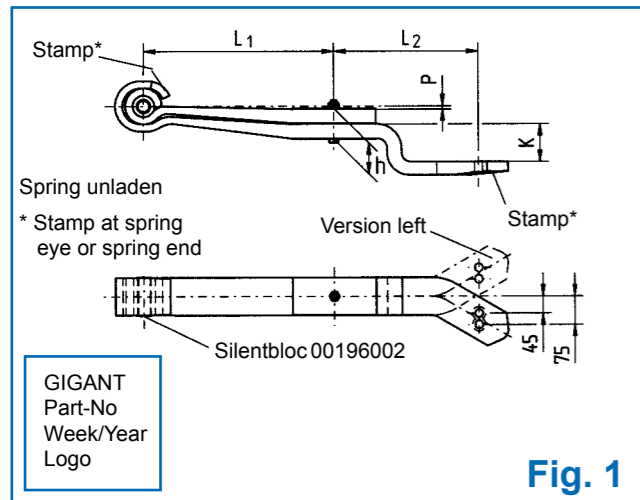


Fig. 1

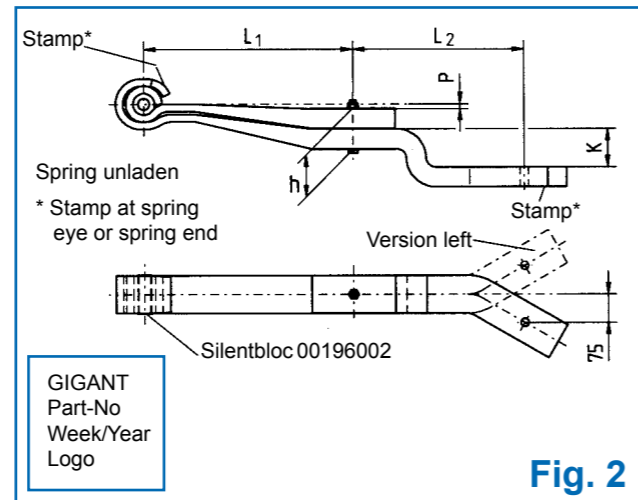


Fig. 2

NLR 50

Spring Type Part-No	Spring Bolt Part-No	Spring width	Axle Load kg	L1	L2	P	h	Leaves Qty. x Thickness	Crank K	Fig
NLR 50.35/50 L/R 00629006/7	AM 16x100/K24x10 00609778	100	10000	500	350	8	82	2 x 38	100	1
NLR 50.38/40 L/R 00619030/1	AM 16x90/K24x10 00609760	100	8000	500	380	18	72	2 x 33	100	1
NLR 50.38/50 L/R 00619033/2	AM 16x100/K24x10 00609778	100	10000	500	380	8	82	2 x 38	100	1
NLR 50.38/60 L/R 00619034/5	AM 16x110/K24x10 00609771	100	12000	500	380	-2	92	2 x 43	100	1
NLR 50.35/50-150 L/R 00619038/9	AM 16x100/K24x10 00609778	100	10000	500	380	-12	82	2 x 38	150	1
NLR 50.38/60-150 L/R 00619040/1	AM 16x110/K24x10 00609771	100	12000	500	380	-2	92	2 x 43	50	1
NLR 50.38/40-150 L/R 00629016/7	AM 16x90/K24x10 00609760	100	8000	500	380	-2	72	2 x 33	150	1

NLR 55

Spring Type Part-No	Spring Bolt Part-No	Spring width	Axle Load kg	L1	L2	P	h	Leaves Qty. x Thickness	Crank K	Fig
NLR 55.38/40 L/R 00609064/5	AM 16x95/K24x10 00609781	100	8000	550	375	13	72	2 x 33	100	2
NLR 55.38/50 L/R 00609072/3	AM 16x110/K24x10 00609771	100	10000	550	375	13	86	2 x 40	100	2
NLR 55.38/60 L/R 00609088/9	AM 16x115/K24x10 00609774	100	12000	550	375	13	92	2 x 43	100	2
NLR 55.38/65 L/R 00619002/3	AM 16x120/K24x10 00609702	100	13000	550	375	13	98	2 x 46	100	2
NLR 55.38/50-150 L/R 00619042/3	AM 16x105/K24x10 00609770	100	10000	550	375	-7	86	2 x 40	150	2
NLR 55.45/65-150 L/R 00629062/3	AM 16x130/K24x10 00609772	100	13000	550	450	13	108	2 x 51	100	2

Shackles

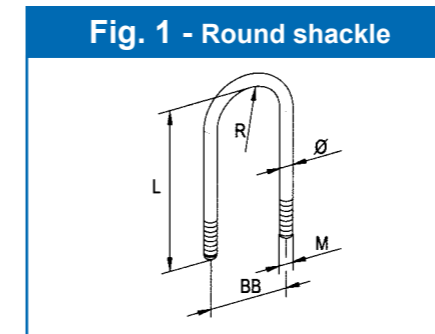


Fig. 2 - Round shackle, flat

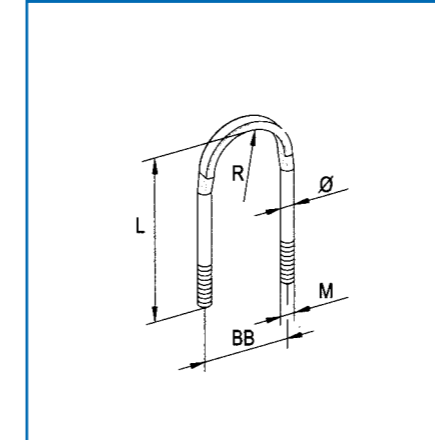


Fig. 3 - U shackle

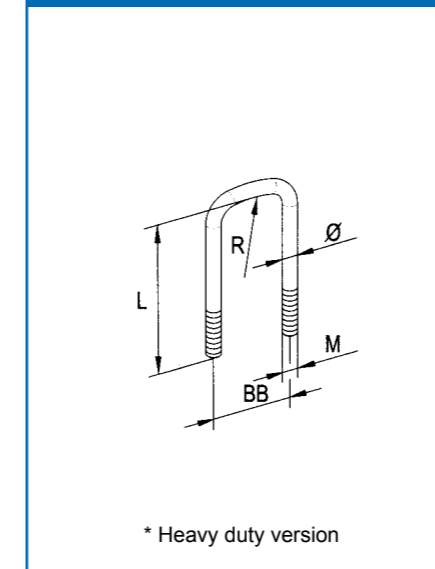
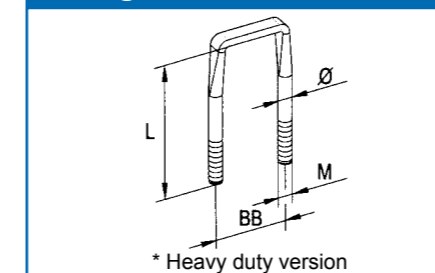


Fig. 4 - Shackle form 5



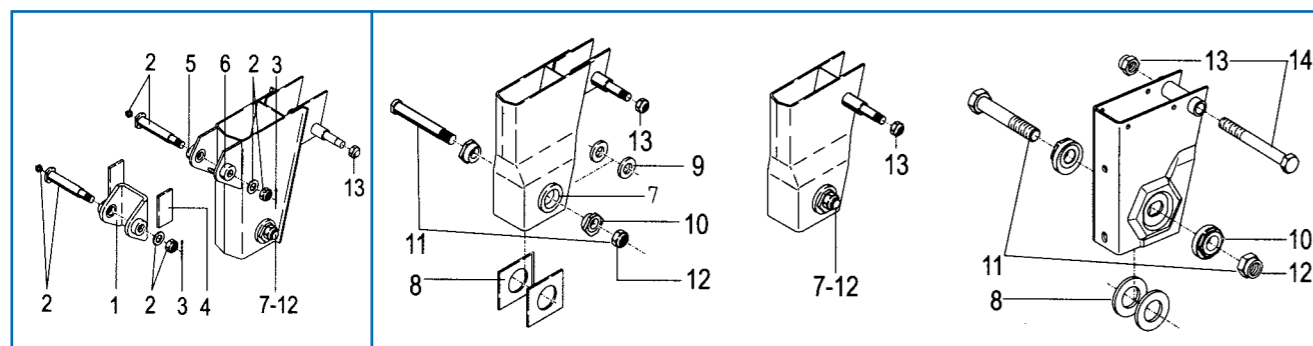
L	Order No				
	Ø20 / M20	Ø23 / M24			
	R=55 / BB=130	R=64 / BB=152	R=67 / BB=158	R=74 / BB=172	R=76.5 / BB=177
200	00190880	Superseded by round shackle according to Fig.2		Superseded by round shackle according to Fig.2	
220	00190882				
240	00190884				
260	00190886				
280	00190888				
300			00191076		
320			00191077		
340			00191078		
360			00191079		
400			00191080		
630					00191062

L	Order No			
	Ø20/M20x1.5	Ø22/M22x1.5	Ø24/M24	Ø24/M24x2*
	R=51.5/BB=133	R=64.5/BB=151	R=73.5/BB=171	R=73.5/BB=171
200	00191120			Superseded by round shackle Ø with thread M22x1.5
220	00191122	00191102		
240	00191124	00191103		
260	00191126	00191104		
278				
280	00191128	00191105		
300	00191130	00191106	00190959	
306				
320	00191132	00191107		
321				
340		00191108	00190961	
360		00191109	00190960	
380		00191110		
400		00191111		
420		00191112		
440		00191113		

L	Order No			
	Ø20/M20x1.5	Ø22/M22x1.5	Ø23/M24	
	R=150/BB=101	R=150/BB=125	R=100/BB=150	R=150/BB=180
140	00190714			
160	00190716			
180	00190718			
200	00190720	00190920		
220	00190722	00190922		
240	00190724	00190924		
260	00190726	00190926		
280	00190728	00190928		
300	00190730	00190930	00191000	00190931
320	00190732	00190932	00191082	00190933
340	00190734	00190934	00191084	00191094
360	00190736	00190936	00191086	00191096
380	00190738	00190938		00190937
400	00190740	00190940		00190939
420	00190742	00190942		
440	00190744	00190944		
460		00190946		
480		00190948		
500		00190950		
520		00190952		
540		00190954		

L	Order No	Nuts for shackles		
	Ø22/M22x1.5	For thread	Description	Order No.
	BB=125			
280	00190905	M20	Locking nut M20 / DIN 980	10500139
300	00190906	M20x1.5	Nut M20x1.5+ washer Ø37 x Ø21x5	10500199 10500302
320	00190901	M22x1.5	Forcing disc nut M22x1.5	08606072
340	00190902	M24	Locking nut M24 / DIN 980	10500249
360	00190903	M24x2	Nut M24x2 + washer Ø45 x Ø24.5x4	M001669 M001650

Spare Parts for Air Suspension Drawbar Brackets and Air Suspension Brackets



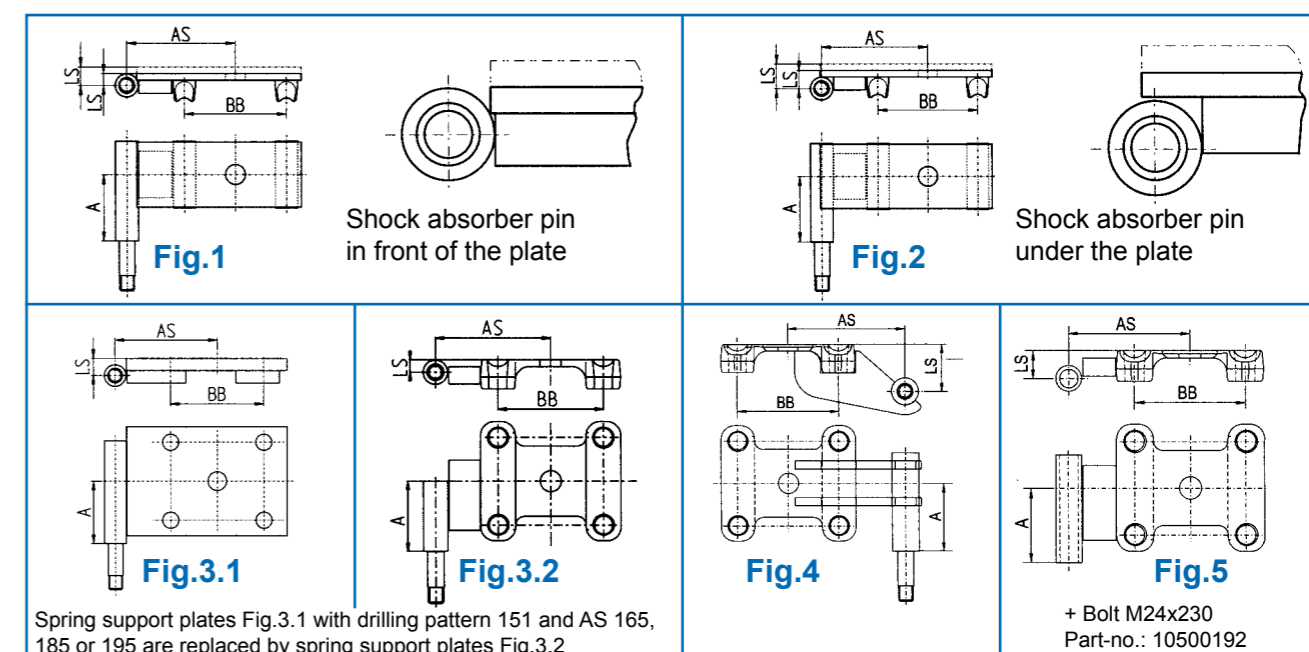
Drawbar brackets

Air Suspension brackets

Item	Order No.			Description
	Spring width 70	Spring width 80	Spring width 100	
1	-	-	00160120	Drawbar connection (item 1-4) connection at top of bracket
	-	-	00160121	Drawbar connection (item 1-4) connection at bottom of bracket
	-	-	00160012	Drawbar connection (item 1-3)
	-	-	00196099	Drawbar connection
2	-	00192824	00193026	Drawbar bolt, complete
	-	10500084	-	Castle nut M22x1.5 / DIN 937
	-	-	10500015	Castle nut M24x1.5 / DIN 937
	-	10500044	-	Washer A23
	-	-	10500043	Washer A25
	-	10500018	10500018	Grease nipple
3	-	10500121	10500121	Cotter pin ø5x45
4	-	-	00360685	Plate for welding to top of bracket
4	-	-	00360977	Plate for welding to bottom of bracket
5	-	10500054	10500056	Bush with groove (only for drawbar connection side plates)
6	-	10500082	10500053	Bush without groove (only for drawbar connection side plates)
7	-	00486004	00486004	Small conical bush
8	-	00300730	00300730*	Wear plate
8	00196079	-	-	Wear plate
9	-	00479018	00479018*	Spacer 8mm
10	00149023	00149017	00149017*	Eccentric bush
11	-	00160150	-	Spring bolt 150 with locking nut
11	-	-	00160169*	Spring bolt 169 with locking nut
11	00165332	-	-	Bolt M30x180 with locking nut
12	-	10500105	10500105	Locking nut M27x1,5 / DIN 980
12	00013002	-	-	Locking nut M30x3,5 / DIN 980
13	-	10500140	10500140	Locking nut M22x1,5 / DIN 980
13	10500249	-	-	Locking nut M24 / DIN 980
14	00165302	-	-	Bolt M24x220 with locking nut
15	-	-	1601695	Sats (*)

Identification additional of attachment parts

Spring support plates



Spring support plates Fig.3.1 with drilling pattern 151 and AS 165, 185 or 195 are replaced by spring support plates Fig.3.2

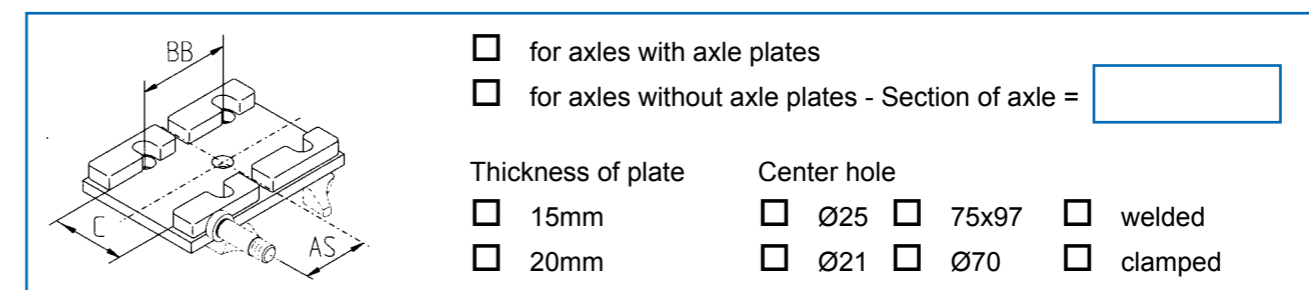
+ Bolt M24x230
Part-no.: 10500192

AS= mm in front of axle center* behind axle center* LS= mm

Dimension BB	Dimension A	Spring width	Thread	Version
<input type="text"/> mm	<input type="text"/> mm	<input type="checkbox"/> 80mm <input type="checkbox"/> 100mm	<input type="checkbox"/> M24 <input type="checkbox"/> M22x1,5	<input type="checkbox"/> Left* <input type="checkbox"/> Right*

* in driving direction

Guiding spring support plates



- for axles with axle plates
- for axles without axle plates - Section of axle =

- Thickness of plate Center hole
- 15mm Ø25 75x97 welded
 - 20mm Ø21 Ø70 clamped

AS= mm in front of axle center* behind axle center*

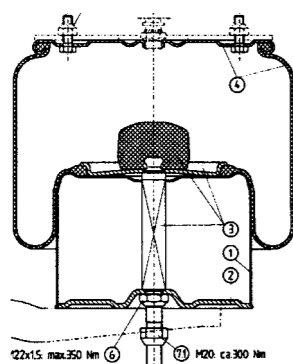
Dimension BB	Dimension C	Spring width	Thread	Version
<input type="text"/> mm	<input type="checkbox"/> 100,5mm <input type="checkbox"/> 80,4mm <input type="checkbox"/> ca. 99mm	<input type="checkbox"/> 80mm <input type="checkbox"/> 100mm	<input type="checkbox"/> M24 <input type="checkbox"/> M22x1,5 <input type="checkbox"/> Without pin	<input type="checkbox"/> Left* <input type="checkbox"/> Right*

* in driving direction

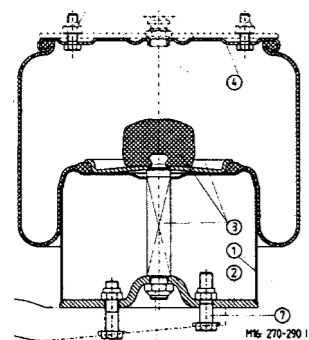
Nuts for shock absorber pin

for thread	Description	Part-no.
M22x1,5	Locking nut M22x1,5 DIN 980	10500140
M24	Locking nut M24 DIN 980	10500249

Gigant bälgar

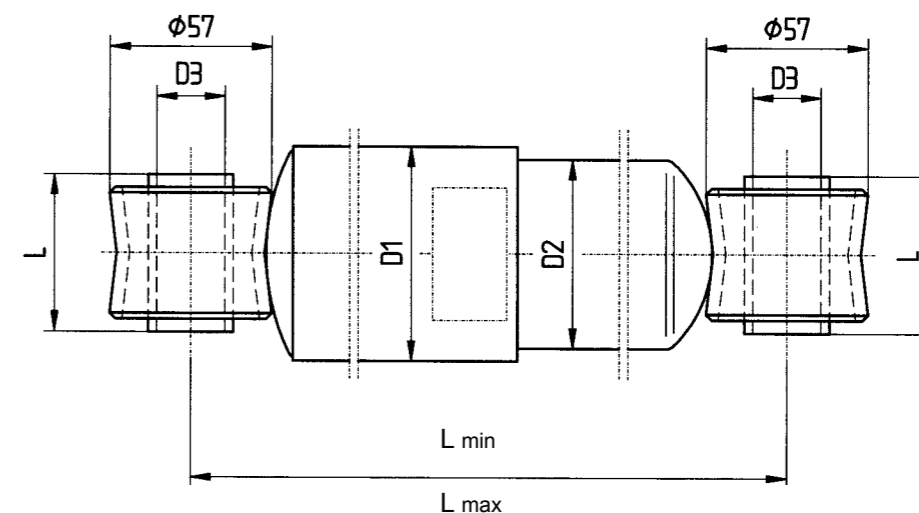

Bälg med M20 fästbult centrummonterad
För svängfjäder

Typ	Komplett	Endast bälg
724N	15166225	15246169
725N	15166217	15246149
726N	15166224	15246192
726S	15166211	15246192


Bälg med 2st M16 fästbult
För rakfjäder

Typ	Komplett	Endast bälg
724N	15166259	15246169
725N	15166252	15246149
726N	15166253	15246192
726S	15166258	15246192

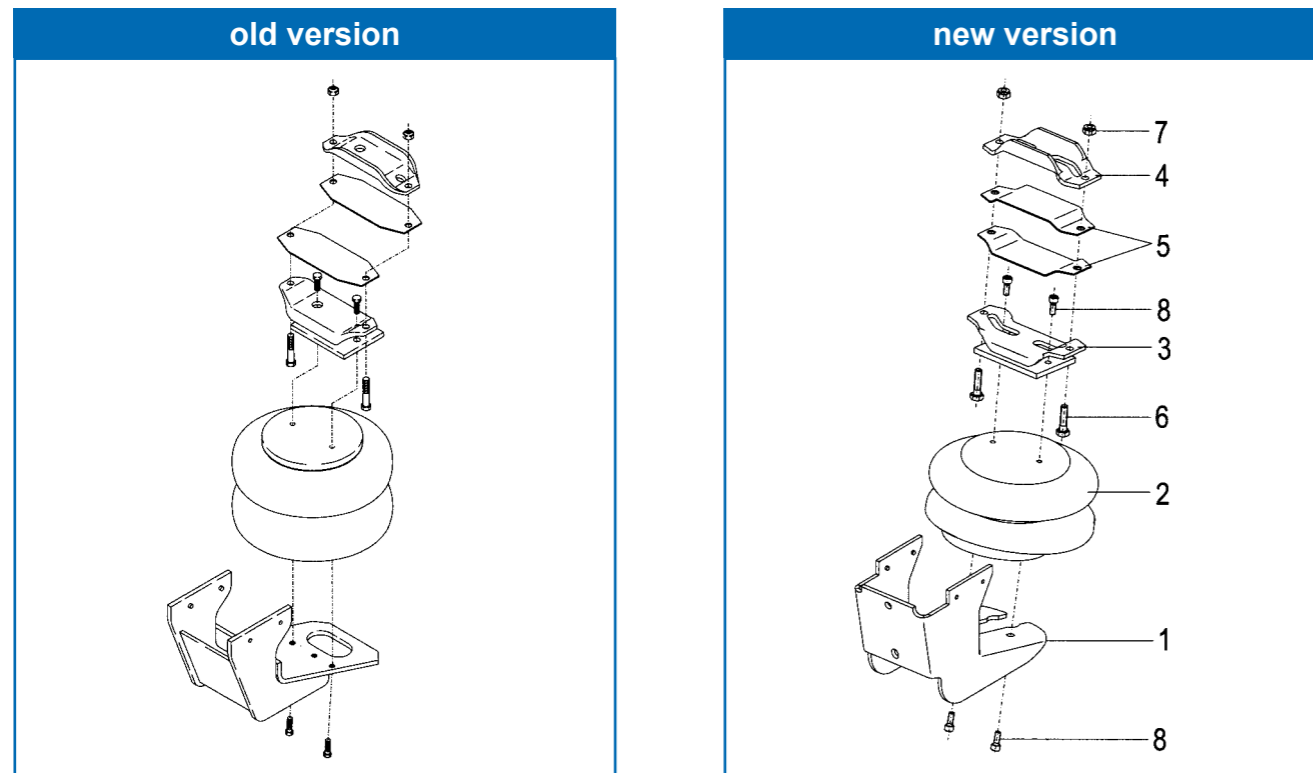
Shock Absorber for Air Suspension



D1	D2	D3	L	Lift	L min	L max	old no.	replaced by	Part-No
83	72	24	63	160	315	475	00196100	00196111	-
75	66	24	55	270	426	696	-	-	00196102
75	66	24	55	170	331	501	00196103	00196111	-
75	66	24	55	170	326	496	00196105	00196111	-
70	56,3	24	55	172	329	501	00196107	00196111 00196112 *1	-
70	57	24	55	200	355	555	-	-	00196109
75	66	24	55	174	326	500	-	-	00196111
70	56,3	24	55	172	329	501	-	-	00196112 *1
52	45,8	14	42	140	291	431	-	-	00196113
82	72	24	62	160	315	475	-	-	00196114
82	72	24	55	170	325	495	-	-	00196115
75	66	24	55	300	467	767	-	-	00196116
75	66	24	55	395	562	797	00196117	00196124 *3	-
75	66	24	55	325	485	810	00196118	00196125 *3	-
75	66	24	55	130	290	420	-	-	00196119
82	72	24	55	135	290	425	-	-	00196121
83	70	24	55	170	325	495	-	-	00196122 *2
76	67	24	55	174	326	500	-	-	00196123 *2
75	55	24	55	395	562	957	-	-	00196124
75	55	24	55	330	483	813	-	-	00196125

*1 until 6,5t axle load / *2 reinforced / *3 change complete for 1 axle!

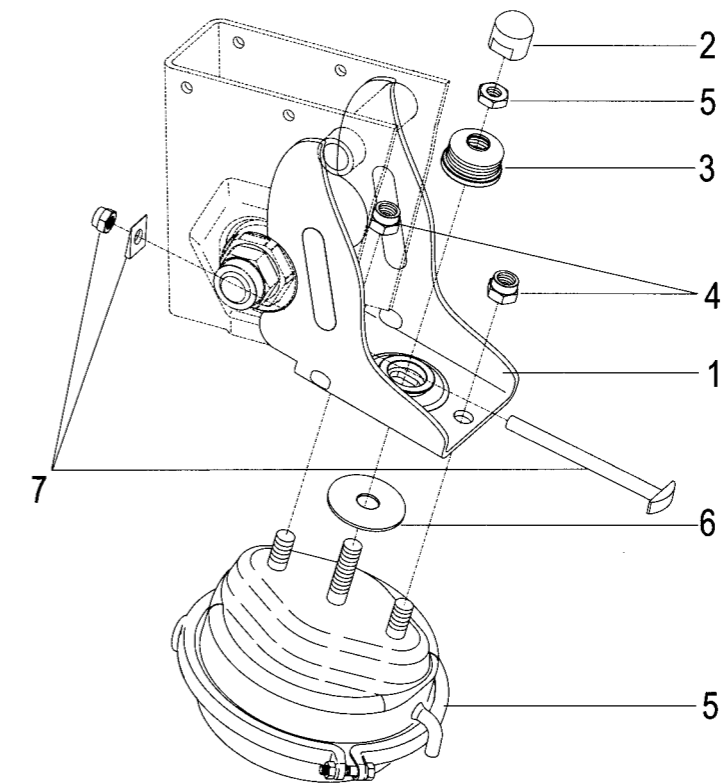
TWINLIFT for standard suspensions and suspensions with C-profile



* When changing the lever of old version, you will have to replace the clamps parts. 3 and 4 as well.

Item	Qty.	Description	Part-no.
1	2	Lever*	00310548
2	2	Bellow	00190130
3	2	Clamp with plate	00348005
4	2	Clamp	00310549
5	4	Rubber intermediate strip	00196072
6	4	Screw M10x40	10500022
7	4	Locking nut M10 / DIN 985	10500141
8	8	Cylinder-screw M8x20	10500035

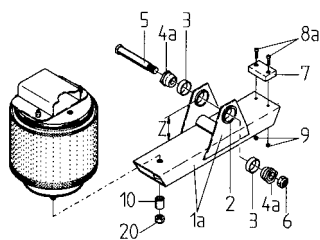
TWINLIFT for spring width 70



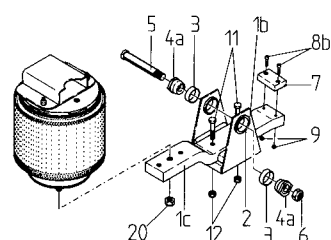
Item	Qty./axle	Part-no.	Description	Identification
1	2	00310998	Lever	00631198 FH 237-299
		00311012	Lever	00631208 FH 277-339
		00311014	Lever	00631209 FH 312-374
		00311016	Lever	00631210 FH 353-415
2	2	00320254	Sliding nut M16x1,5 Ø33,5 SW 27	-
3	2	00165303	Kit convoluted boot with clamp	-
4	4	10500167	Locknut M16x1,5 DIN 980	-
5	2	00019073	Brake chamber type 36 with lock nut	-
6	2	00196077	Sealing ring Ø70 x Ø18x2	-
7	2	00165304	Kit hammerhead bolt M12x150 with locknut washer	-

Axle Lift EAL and MAL

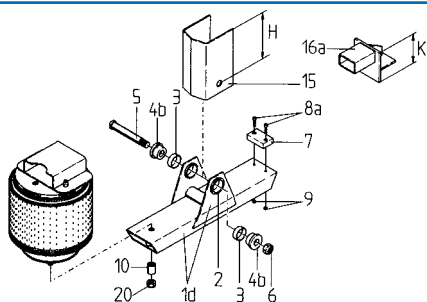
EAL



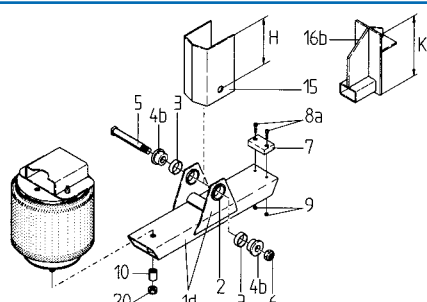
EAL-T



MAL



MAL-T



Item	Qty.	Description		Part-No	
1a	1	lever EAL	Z=120	00341301	
	1	lever EAL-H	Z=145	00341302	
1b	1	suspension bracket EAL-T		00341310	
1c	1	lever EAL-T50Z		00639033	
1d	1	lever MAL		00341306	
2	2	bush		00320051	
3	2	bearing bush		00190047	
4a	2	eccentric bush EAL		00149018	
4b	2	bush MAL		00321300	
5	1	torque arm bolt		00320215	
6	1	locking nut M27x1,5/DIN 980		10500105	
7	1	plastic pad		00130006	
8a	2	head cap screw M8x35 - EAL/MAL		10500088	
8b	2	head cap screw M8x65 - EAL-T		10500089	
9	2	locking nut M8/DIN 985		10500111	
10	1	pipe $\varnothing 35 \times 5 \times 40$		00350174	
11	2	screw M16x75		10500099	
12	2	locking nut M16/DIN 980		10500135	
15	1	bracket MAL	H=385	00241328	
			H=335	00241326	
			H=285	00241320	
			H=245	00241322	
			H=190	00241324	
			H=160	00241330	
16a	1	bracket	Type A	K=155	00341350
16b	1	bracket MAL-T	Type B	K=237	00341354
			Type C	K=200	00341355
			Type D	K=164	00341356
			Type E	K=317	00341351
20	1	locking nut M20/DIN 980		10500139	