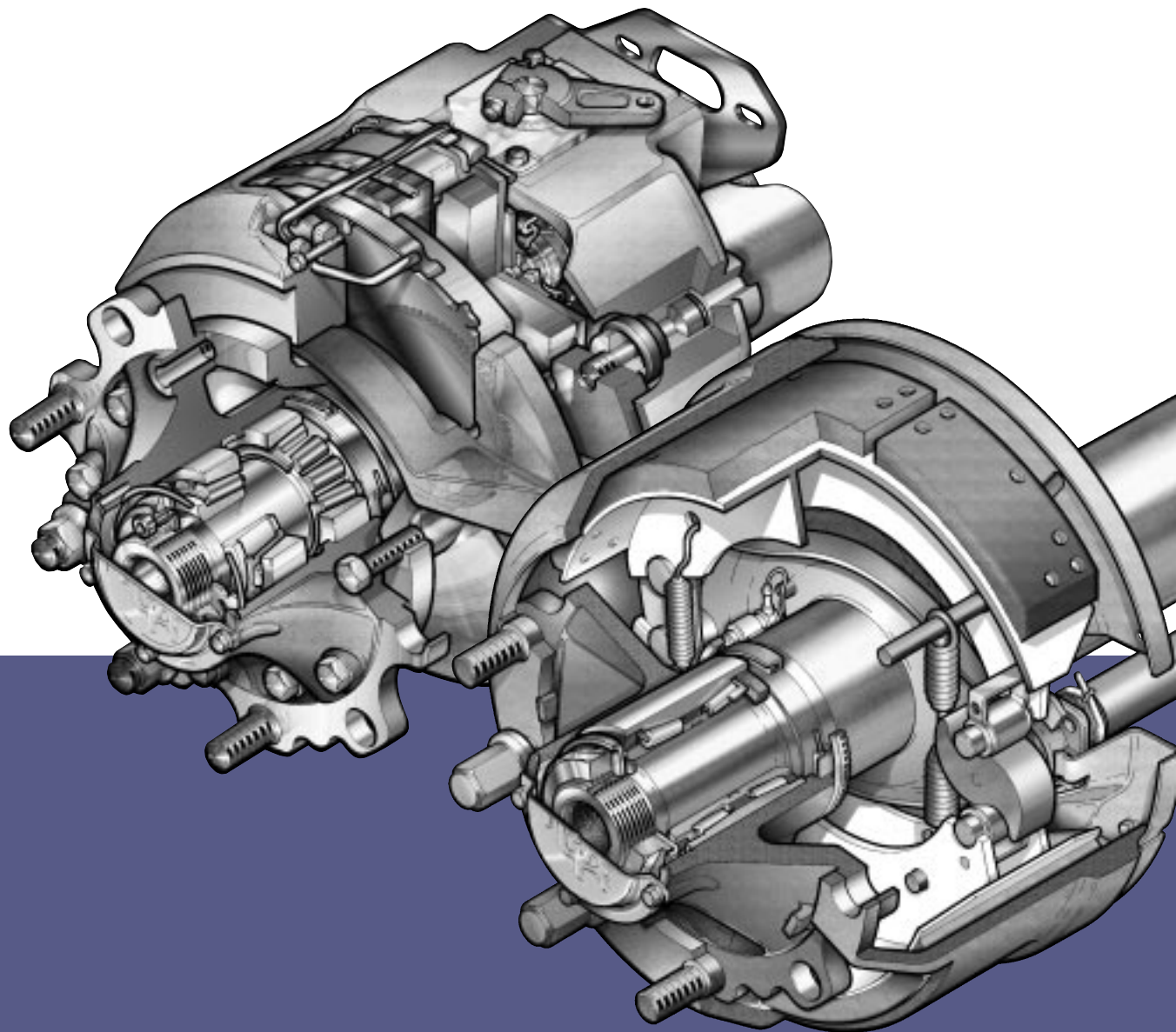




an **ArvinMeritor** brand

# Meritor Axle & Brake Parts List

LM and LMC Series Axles including Disc and Drum Brake variants

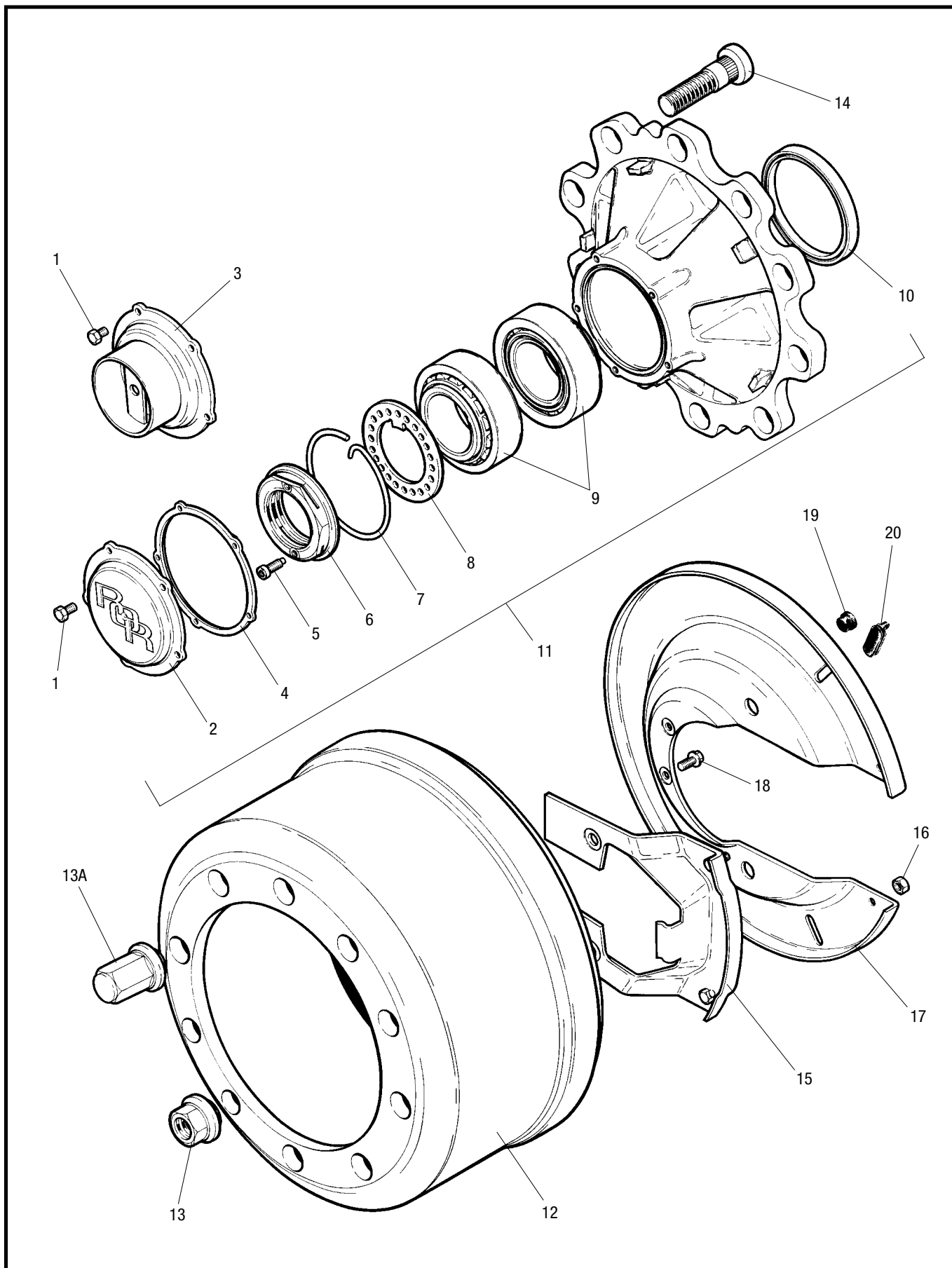


**ArvinMeritor**<sup>™</sup>



an ArvinMeritor brand

# LM Parts List





an ArvinMeritor brand

# LM Parts List

## LM Hub Assembly Parts List

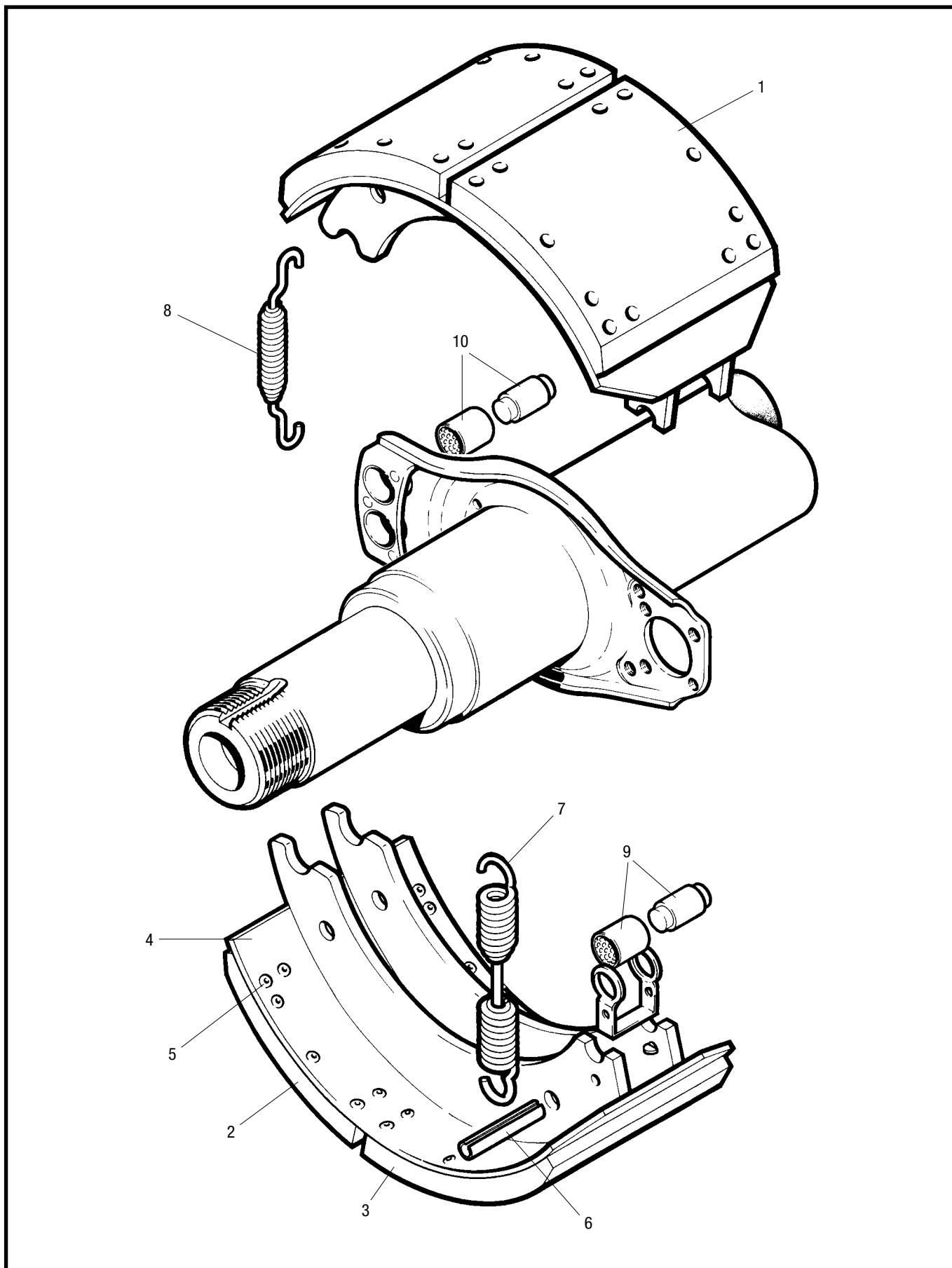
Item	Description	Part Number
1	Screw, Hub Cap	99543001
2	Hub Cap	21224673
3	Hub Cap – Hubodometer	21224904
4	Gasket, Hub Cap	21224759
5	Screw, Pinch Nut	21224864
6	Pinch Nut	21224762
7	Retaining Clip	21224865
8	Retaining Washer	21224669
9	Bearings	99041075
10	Oil Seal	21200321A
11	Hub Assembly	14224748
12	Brake Drum	21220183V
13	Wheel Nut	see table below
14	Wheel Bolt, Steel Wheel	21220132
14	Wheel Bolt, Aluminium Wheel	21220969
14	Wheel Bolt, Universal Steel/Aluminium, Coated, (use with Dacromet Wheel Nut)	21226339
15	Filler Plate – for axles manufactured before April 2001	15224518
15	Filler Plate – for axles manufactured after April 2001	15225842
16	Nut, Filler Plate	99544000
17	Dust Cover	21224522
18	Screw, Dust Cover	99546002
19	Plug, Blanking	21211385
20	Plug, Inspection	21220719
21	400g Cartridge MERITOR Hub Grease (not shown)	99538007
22	100g Tube Optimol Optimoly White Paste T (not shown)	99538009

WHEEL NUTS 32mm ACROSS FLATS			
NEW PART NUMBER	REPLACES EXISTING NUMBERS	TYPE	FINISH COATING
<b>21226395</b>	21218643 / 21218644	STANDARD OPEN	PHOSPHATE & OIL
<b>21226396</b>	21225528 / 21225529	STANDARD OPEN	DACROMET 500 & OIL
<b>21226397</b>	21218645 / 21218621	CLOSED END	PHOSPHATE & OIL
<b>21226484</b>	N/A	CLOSED END	DACROMET 500 & OIL



an ArvinMeritor brand

# LM Parts List



# LM Parts List

## LM Brake Assembly Parts List

Item	Description	Part Number
1	Brake Shoe Lined Assembly	15224952R
2	Brake Lining, Anchor End	21224717R
3	Brake Lining, Cam End	21224718R
4	Brake Shoe Assembly, Welded	15224724S
5	Rivet	21200761
6	Roll Pin	21220171
7	Return Spring	21221224
8	Retaining Spring	21205194
9	Cam Roller Assembly	15226262
10	Anchor Pin and Bush Assembly	15226632
*11	25g Sachet MERITOR Brake Grease (not shown)	99226786

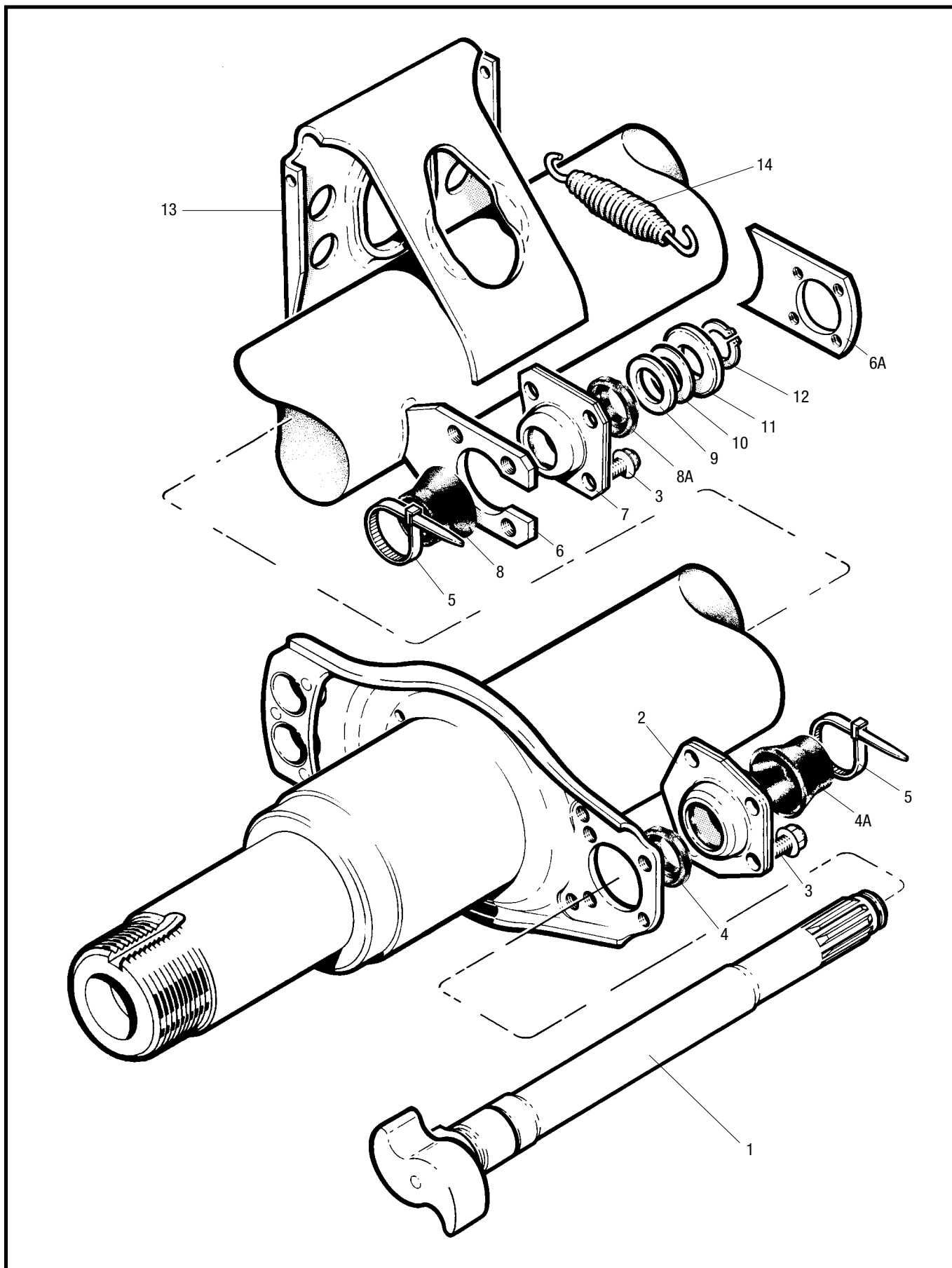
\*Must be used with items 9 and 10.

NB. Items 9 and 10 must be used as a matched set, individual components are not interchangeable with old style parts.



an ArvinMeritor brand

# LM Parts List

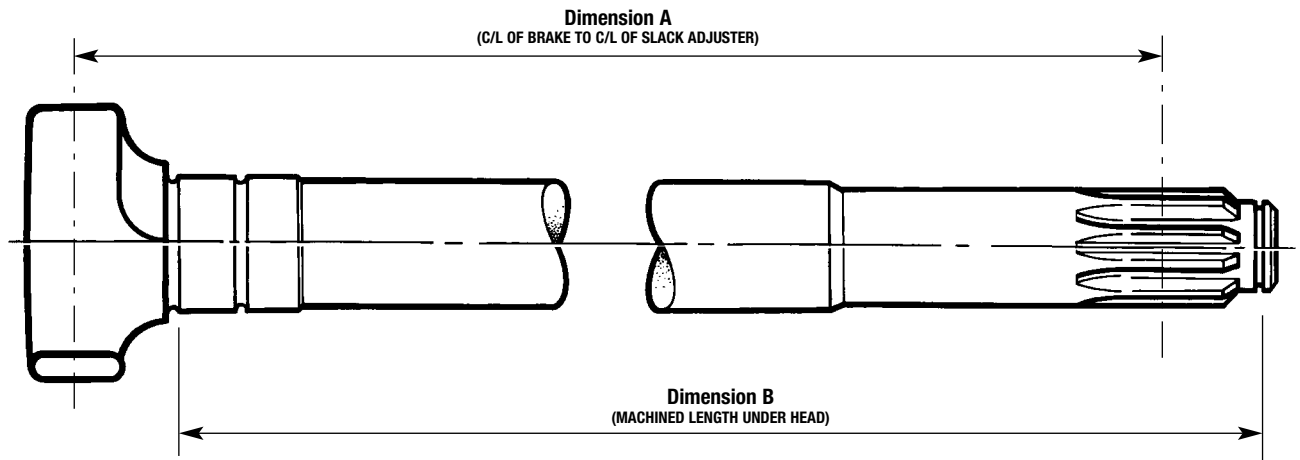


# LM Parts List

## LM Camshaft Assembly Parts List – up to April 2001

Item	Description	Part Number
1	Camshaft LH/RH	See table below
2	Cam Head Bearing Assembly	15224821
3	Screw, Bearing	99546001
4	Inner Boot, Cam End	21224729
4A	Outer Boot, Cam End	21224730
5	Tie Wrap	21221065
6	Camshaft Bracket	21220982
6A	Camshaft Bracket (axles built after Sept '99)	21020300
7	Spline End Bearing Assembly	15213430
8	Inner Boot, Spline End	21204849
8A	Outer Boot, Spline End	21205667
9	Washer, Spacing, Thick	21006627
10	Washer, Spacing, Thin	21006662
11	Retaining Washer	21219862
12	Circlip	99507030
13	Air Chamber Bracket	21221004
14	Assister Spring	21210215
15	25g Sachet MERITOR Grease (not shown)	99226786

NB. Item 15 must be used on items 2 & 7.

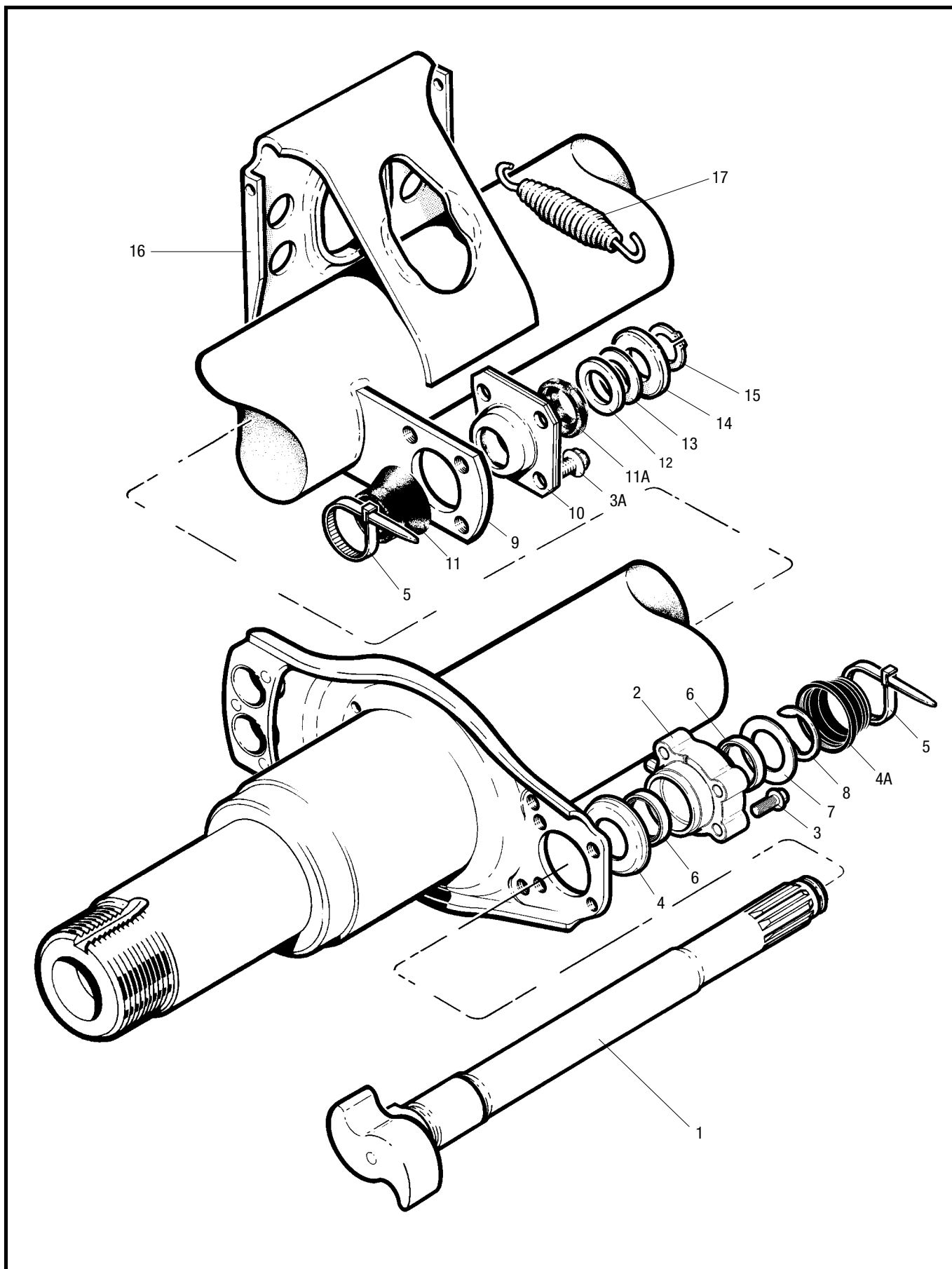


Dimension 'A'	Dimension 'B'	Part Number	
		Right Hand	Left Hand
229.9	232.4	21224857	21224858
253.5	258.0	21224855	21224856
412.2	416.7	21224849	21224850
475.7	480.2	21224847	21224848
521.0	525.5	21224793	21224794
544.5	549.0	21224853	21224854
564.0	568.5	21224851	21224852
583.0	587.5	21224795	21224796
605.5	610.0	21224845	21224846
622.5	627.0	21224843	21224844
632.5	637.0	21224841	21224842
658.8	663.3	21224859	21224860



an ArvinMeritor brand

# LM & LMC Service



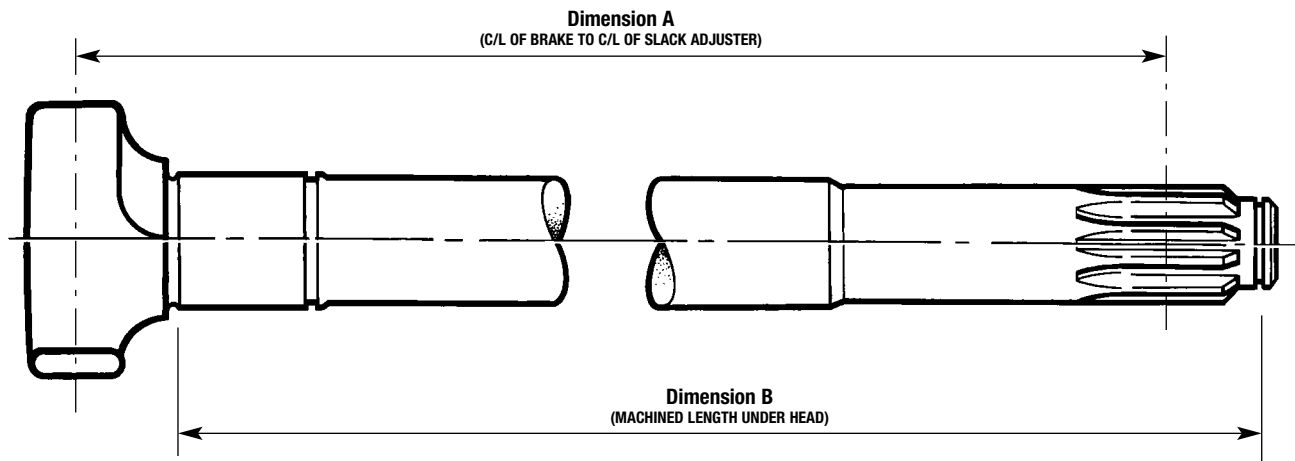


# LM & LMC Service

## LM Camshaft Assembly Parts List – from April 2001

Item	Description	Part Number
1	Camshaft LH/RH	See table below
2	Cam Head Bearing Assembly	A23105Q1213
3	Screw, Bearing, Cam End	99546000
3A	Screw, Bearing, Spline End	99546001
4	Washer Seal	1229K4795
4A	Boot, Cam End	2260K1155
5	Tie Wrap	21221065
6	Lip Seal	A1205S2645
7	Washer	1229S4101
8	Snap Ring	1229T4102
9	Camshaft Bracket	21020300
10	Spline End Bearing Assembly	15213430
11	Inner Boot, Spline End	21204849
11A	Outer Boot, Spline End	21205667
12	Washer, Spacing, Thick	21006627
13	Washer, Spacing, Thin	21006662
14	Retaining Washer	21219862
15	Circlip	99507030
16	Air Chamber Bracket	21221004
17	Assister Spring	21210215
*18	25g Sachet MERITOR Grease (not shown)	99226786

\*NB. Item 18 must be used on items 2 & 10.

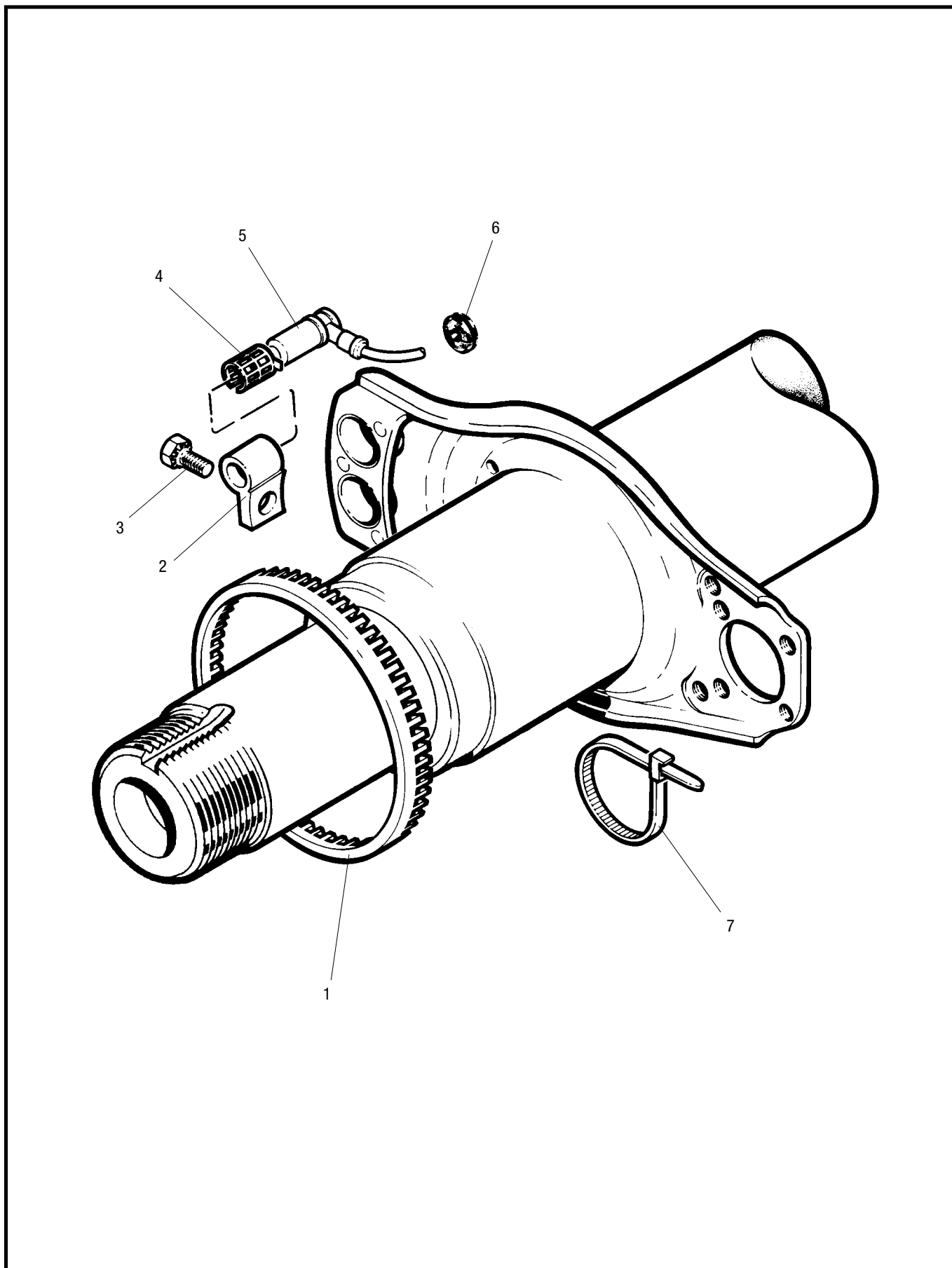


Dimension 'A'	Dimension 'B'	Part Number	
		Right Hand	Left Hand
412.2	416.7	21227086	21227087
521.0	525.5	21227084	21227085
544.5	549.0	21227082	21227083
583.0	587.5	21227080	21227081
605.5	610.0	21227078	21227079
622.5	627.0	21227076	21227077
632.5	637.0	21227074	21227075



an ArvinMeritor brand

# LM Parts List



# LM Parts List

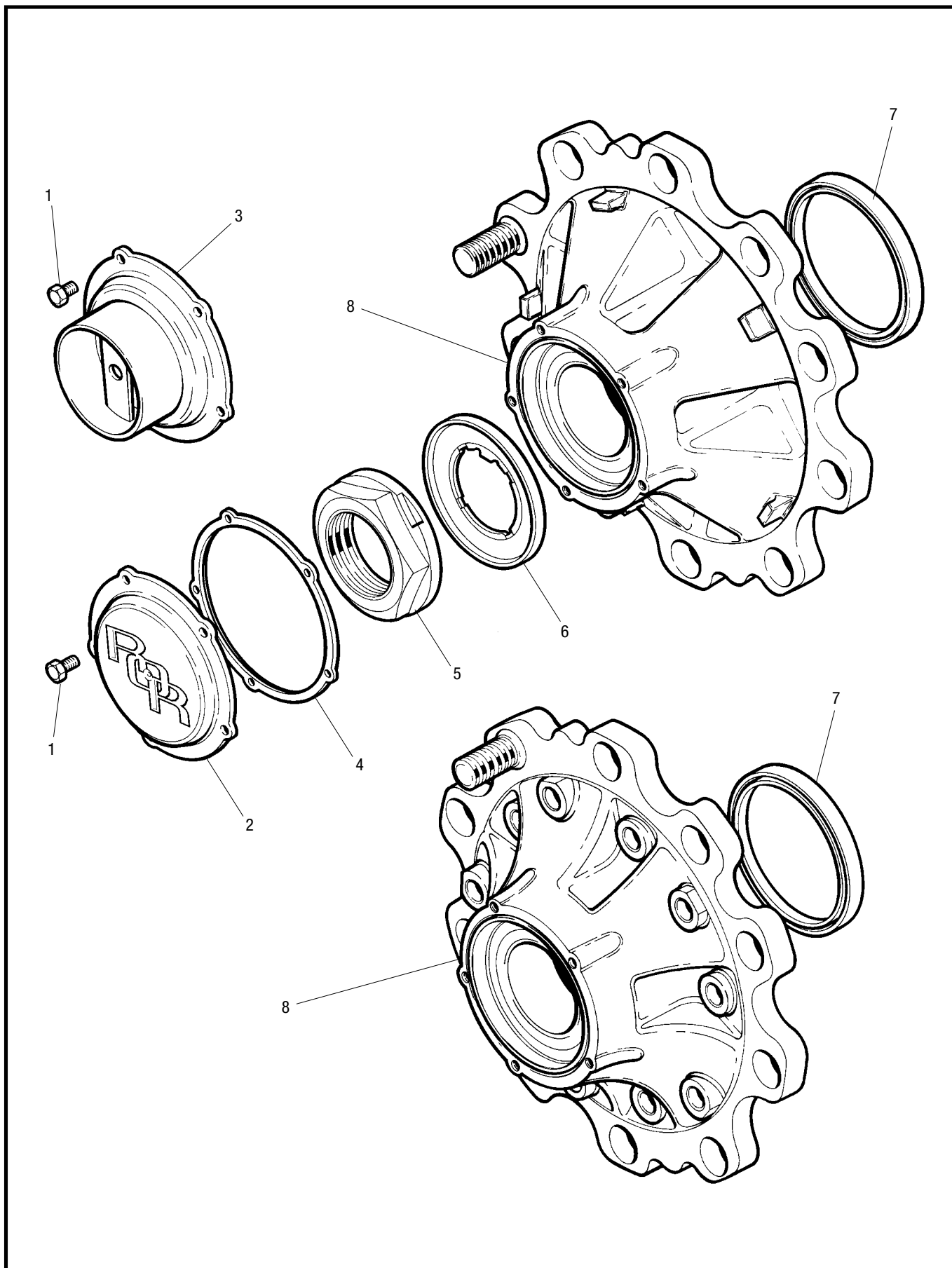
## LM ABS Assembly Parts List

Item	Description	Part Number
1	Pole Wheel	21213316
2	Sensor Block	22224705
3	Screw, Sensor Block	99541002
4	Spring Clip	21213036
5	Sensor	21213034
6	Strain Relief Bush	21222319
7	Cable Tie	21221065
8	Grease for Sensor Bush (not shown)	99226786



an ArvinMeritor brand

# LMC Parts List



# LMC Parts List

## LMC Hub Assembly Parts List

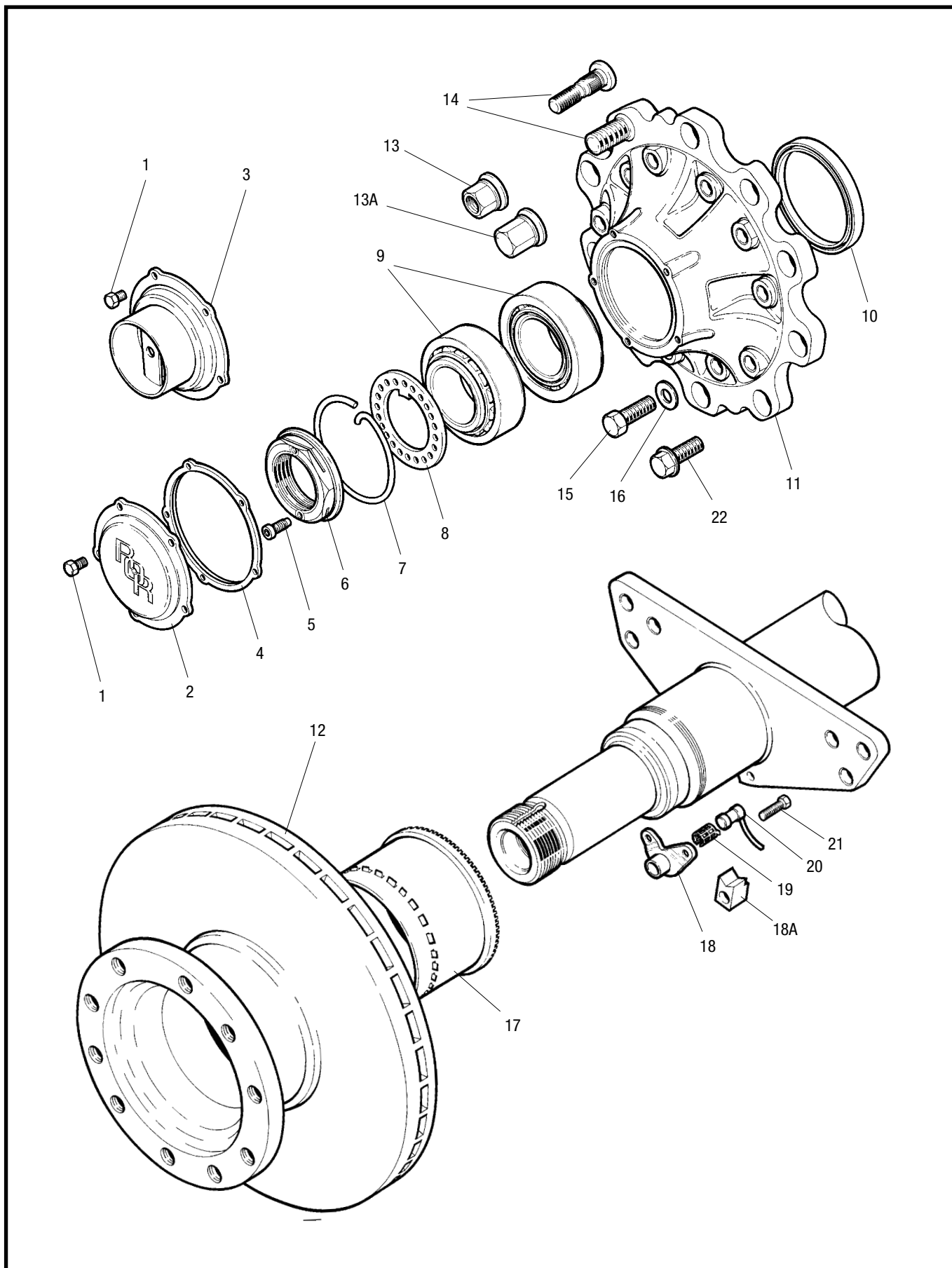
Item	Description	Part Number
1	Screw, Hub Cap	99543001
2	Hub Cap	21224673
3	Hub Cap – Hubodometer	21224904
4	Gasket, Hub Cap	21224759
5	Axle End Nut	21225405
6	Stake Washer Assembly	21225514
7	Auxiliary Oil Seal	21200321A
8	Hub Assembly – LMC Drum Brake	14225290
8	Hub Assembly – LMC DX195 Disc Brake	14225494

For all other axle & brake components refer to the relevant LM or LM DX195 Series Parts Lists.



an ArvinMeritor brand

# LM DX195 Parts List



# LM DX195 Parts List

## LM DX195 Hub, Rotor and ABS Parts List

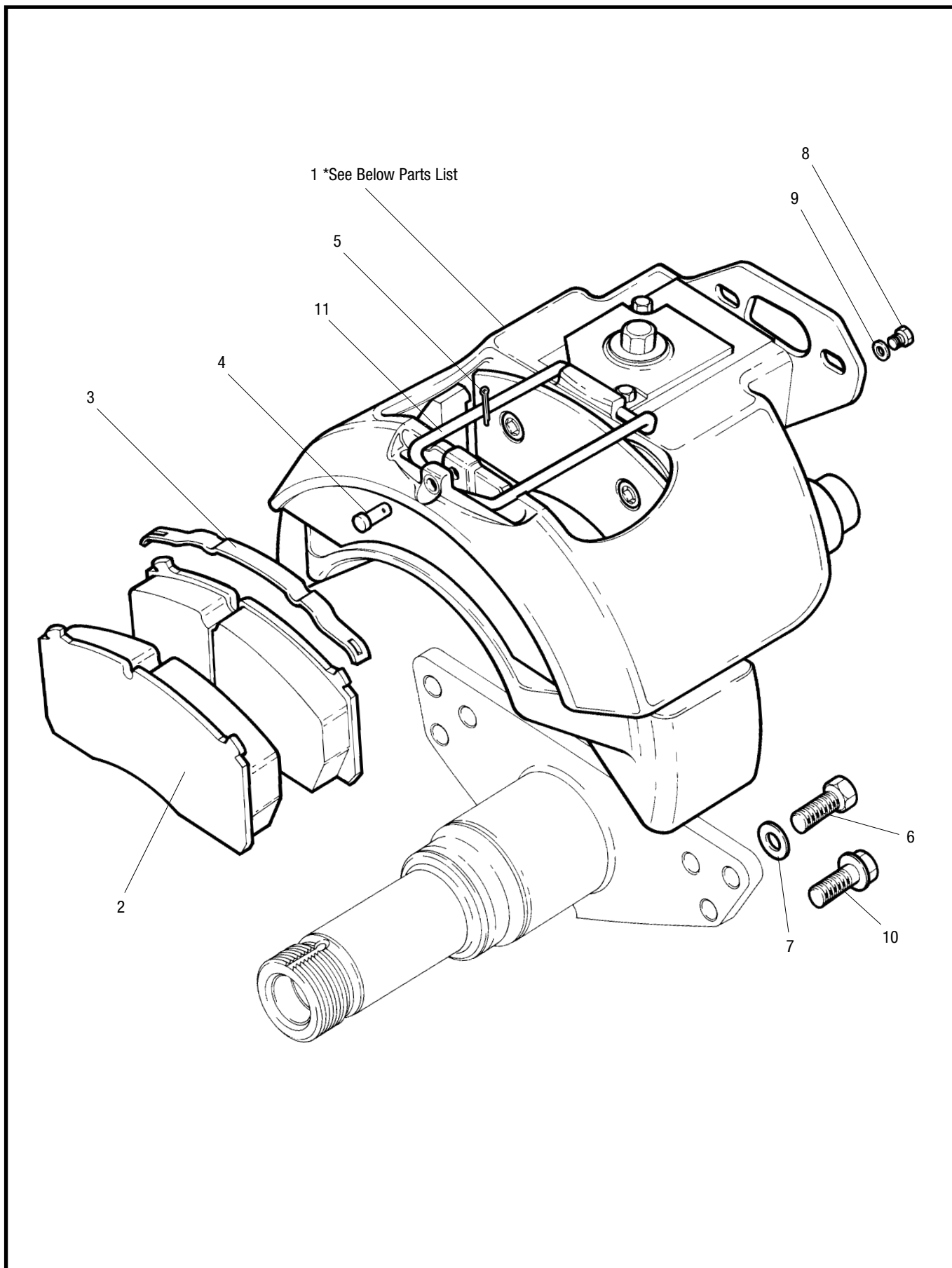
Item	Description	Part Number
1	Screw, Hub Cap	99543001
2	Hub Cap	21224673
3	Hub Cap – Hubodometer	21224904
4	Gasket, Hub Cap	21224759
5	Screw, Pinch Nut	21224864
6	Pinch Nut	21224762
7	Retaining Clip	21224865
8	Retaining Washer	21224669
9	Bearings	99041075
10	Oil Seal	21200321A
11	Hub Assembly	14225425
12	Rotor	21225115
13	Wheel Nut	see table below
14	Wheel Bolt, Steel Wheel	21225086
14	Wheel Bolt, Aluminium Wheel	21220132
14	Wheel Bolt, Universal Steel/Aluminium Wheel, Coated, (use with Dacromat Wheel Nut)	21226340
15	M16 x 65 Rotor Mounting Bolt	21225100
16	Hardened Washer	21224978
17	Pole Wheel Assembly	21225116
18	Sensor Bracket (From June 2000)	21226429
18A	Sensor Block (Pre June 2000)	21213035
19	Spring Clip	21213036
20	Sensor	21213034
21	Screw, Sensor Bracket (From June 2000)	99543002
22	M16 x 60 Flanged Rotor Mounting Bolt – Replaces items 15 & 16 from July 2001	21227263

WHEEL NUTS 32mm ACROSS FLATS			
NEW PART NUMBER	REPLACES EXISTING NUMBERS	TYPE	FINISH COATING
<b>21226395</b>	21218643 / 21218644	STANDARD OPEN	PHOSPHATE & OIL
<b>21226396</b>	21225528 / 21225529	STANDARD OPEN	DACROMET 500 & OIL
<b>21226397</b>	21218645 / 21218621	CLOSED END	PHOSPHATE & OIL
<b>21226484</b>	N/A	CLOSED END	DACROMET 500 & OIL



an ArvinMeritor brand

# LM DX195 Parts List





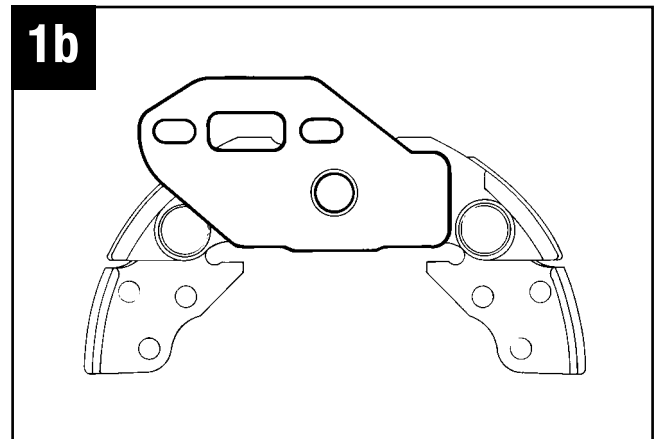
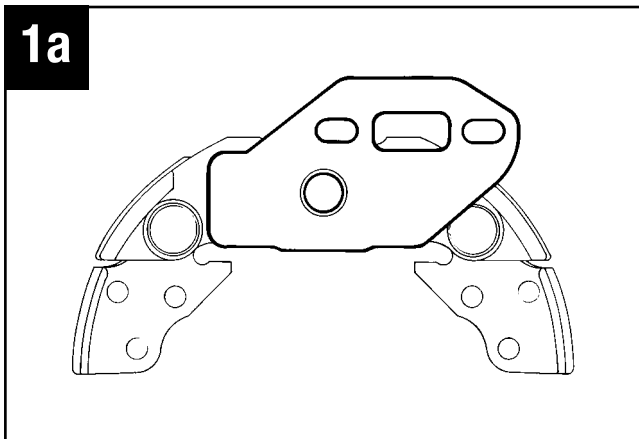
# LM DX195 Parts List

## LM DX195 Brake Assembly Parts List

Item	Description	Part Number
1a	Brake Assembly DX195 25 (Service Exchange)	15224836SR
1b	Brake Assembly DX195 26 (Service Exchange)	15224837SR
2	Disc Pad Kit	DSB2A**
3	Spring Pad	21224956
4	Retaining Pin	21225038
5	Split Pin	21225046
6	M16 x 45 Caliper Mounting Bolt	21224908
7	Hardened Washer	21224978
8	Plug	21225041
9	Retaining Washer	21225042
10	M16 x 45 Flanged Caliper Mounting Bolt – Replaces items 6 & 7 from July 2001	21227146
11	Stabiliser Bar	2297J6692

\*\* See LM DX195 Service Kits page 20

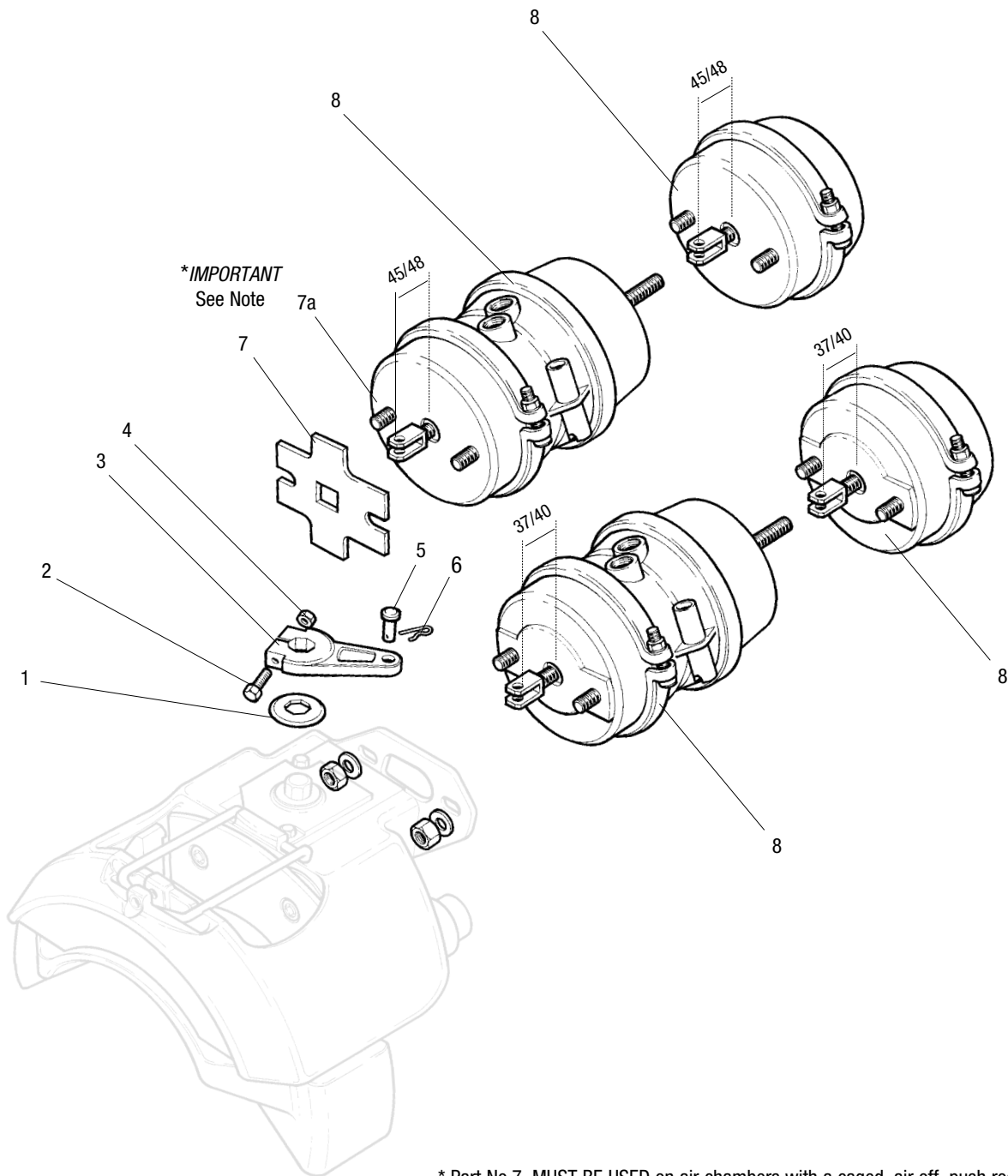
### \* Brake Assembly Rear View





an ArvinMeritor brand

# LM DX195 Parts List



**\*IMPORTANT**  
See Note

\* Part No.7. **MUST BE USED** on air chambers with a caged, air off, push rod length of 45/48mm, measured from the mounting face of the chamber to the centre of the clevis pin hole.

Later models of brake chamber with 37/40mm pushrod length have a formed front housing and **MUST NOT** be fitted with the spacer plate

# LM DX195 Parts List

## LM DX195 Actuation and Air Chambers Parts List

Item	Description	Part Number	
1	Lever Boot	21225226	
2	Clamp Bolt M8 x 60	21225039	
3	Lever 80mm	21224954	
3	Lever 90mm	21224955	
4	Nut M8	21225040	
5	Clevis Pin	21224985	
6	R-Clip	21224996	
		Part Number 45/48mm	Part Number 37/40mm
7*	Spacer Plate	21224995	None
8	T 24/24	41225080	41225763
8	T 22/24	41225120	41225764
8	T 20/24	41224965	41225765
8	T 18/24	41224966	41225766
8	T 24	41225081	41225767
8	T 22	41225118	41225768
8	T 20	41224963	41225769
8	T 18	41224964	41225770

\* Part No.7. Must be used on Air Chambers with a caged, air off, push rod length of 45/48mm.  
 It must never be used on chambers with a caged push rod length of 37/40mm.



an ArvinMeritor brand

# LM DX195 Service Kits



Slide Pin Kit – All Models

DSB7



Disc Pad Kit

DSB2A



Bearing Kit

DSB3



Seal & Gasket Kit

DSB104



Adjuster Kit (LH)  
Adjuster Kit (RH)

DSB5L  
DSB5R



Adjuster Sleeve & Thrust Plate Kit (LH)  
Adjuster Sleeve & Thrust Plate Kit (RH)

DSB6L  
DSB6R

With respect to the above kits, except DSB2A disc pad kit.

Meritor does not recommend the service of the brake caliper and will not provide any guarantee of the proper function of the brake caliper once fitted by anyone other than a Meritor Operative.

The above kits have a guarantee that they will fit and be of our normal quality standard, but will carry no service warranty.

Instructions specified in the service manual treat the caliper as a service exchange unit that carries its normal Aftermarket warranty.

# Warranty

A comprehensive network of original parts distributors and service stations operate throughout Europe; this is supported internationally with agents strategically placed around the world.

All Meritor replacement parts obtained through original parts distributors are covered by a one year warranty.

**For full warranty terms and conditions see 'Meritor Warranty Terms and Conditions' Publication No 4.84.1**

Meritor reserve the right to make changes in specifications shown herein or add improvements at any time without notice or obligation.

PARTS SHOWN IN THIS SPARES LIST ARE MADE FROM DRAWINGS IN WHICH COPYRIGHT SUBSISTS. THE MAKING OF COPIES OF ANY OF THESE PARTS IS PROHIBITED.

© Meritor HVS Limited



*The high quality assurance management systems applied by Meritor are endorsed with the awarding of ISO 9001, Lloyd's Register Quality Assurance.*



an **ArvinMeritor** brand



an **ArvinMeritor** brand

**ArvinMeritor Inc.**

**World Headquarters**

2135 West Maple Road  
Troy, Michigan 48084  
U.S.A.  
Telephone: +1 248 435 1000

**Meritor HVS Limited**

**Commercial Vehicle Systems**

Rackery Lane, Llay  
Wrexham LL12 0PB  
U.K.  
Telephone: +44 (0)1978 852141  
Fax: +44 (0)1978 856173

**Meritor HVS (Helmond) B.V.**

**Commercial Vehicle Systems**

92 Vossenbeemd, Postbus 255  
5705 CL, Helmond  
Holland  
Telephone: +31 (0)492 535805  
Fax: +31 (0)492 547175

**Meritor HVS (Mitry-Mory) S.A.**

**Commercial Vehicle Systems**

Z.I. du Moulin à Vent  
9 rue des Frères Lumière  
77290 Mitry-Mory  
France  
Telephone: +33 (0)1 64.27.44.61  
Fax: +33 (0)1 64.27.30.45

**Meritor HVS (Verona) s.r.l.**

**Commercial Vehicle Systems**

Via Monte Fiorino, 23  
37057 San Giovanni Lupatoto  
Verona  
Italy  
Telephone: +39 045 8750399  
Fax: +39 045 8750640  
Fax: +39 045 8750513

**Meritor HVS (Barcelona) S.A.**

**Commercial Vehicle Systems**

Ctra. Granollers - Sabadell Km. 13,3  
Poligono Argelagues  
08185 Lliçà de Vall  
Spain  
Telephone: +34 (9)3 843 95 68  
Fax: +34 (9)3 843 83 59

**Meritor Automotive (Pty) Limited,**

**Commercial Vehicle Systems**

35 Director Road, Spartan Ext 2  
PO Box 872, Isando,  
1600 R.S.A.  
Telephone: +27 (0) 11 974 1535  
Fax: +27 (0) 11 974 1728

**For further information contact**

**Meritor HVS Limited**

**Commercial Vehicle Systems**

Rackery Lane, Llay  
Wrexham LL12 0PB  
U.K.  
Telephone: +44 (0)1978 852141  
Fax: +44 (0)1978 856173

[www.arvinmeritor.com](http://www.arvinmeritor.com)

© Copyright 2002

Meritor Automotive

All rights Reserved

Publication 4.89.2B

Descriptions and specifications were in effect at the time of publication and are subject to change without notice or liability. Meritor reserve the right to make design improvements, change or discontinue parts at any time.

**ArvinMeritor**<sup>TM</sup>