

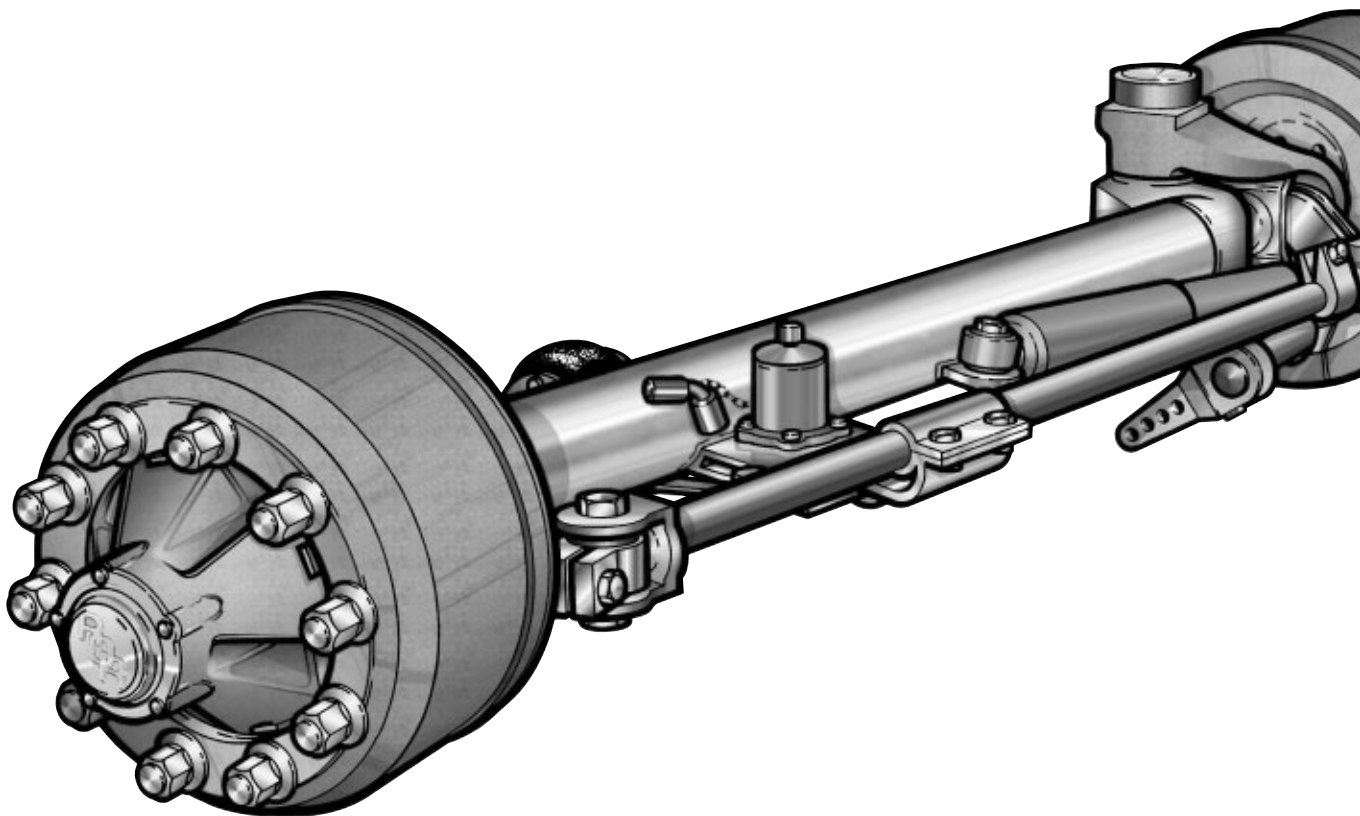
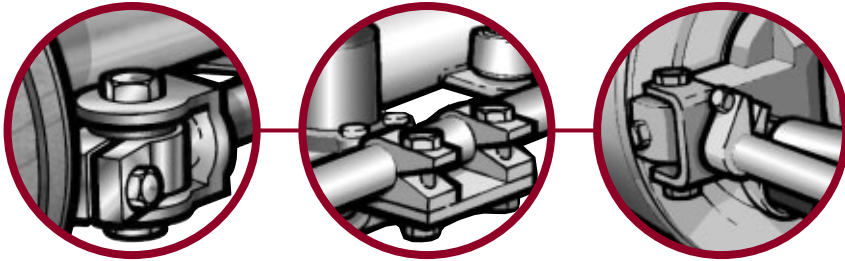


MERITOR™

ROR Trailer Products

Axle & Brake Parts List

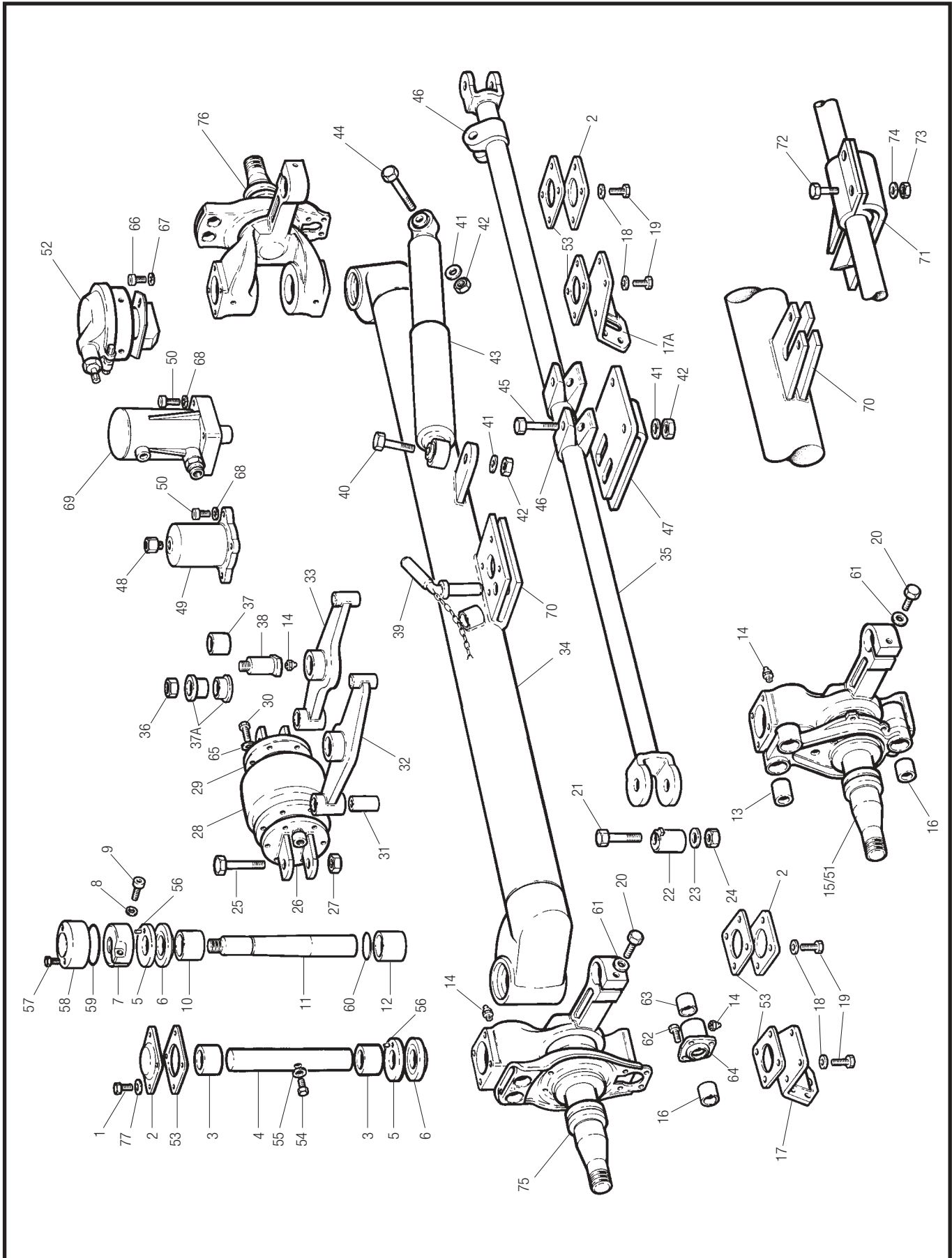
Steering Axles & Track Rod Ends



ArvinMeritor™

Steering Axle Parts List

TM Self Steer



Steering Axle Parts List

TM Self Steer

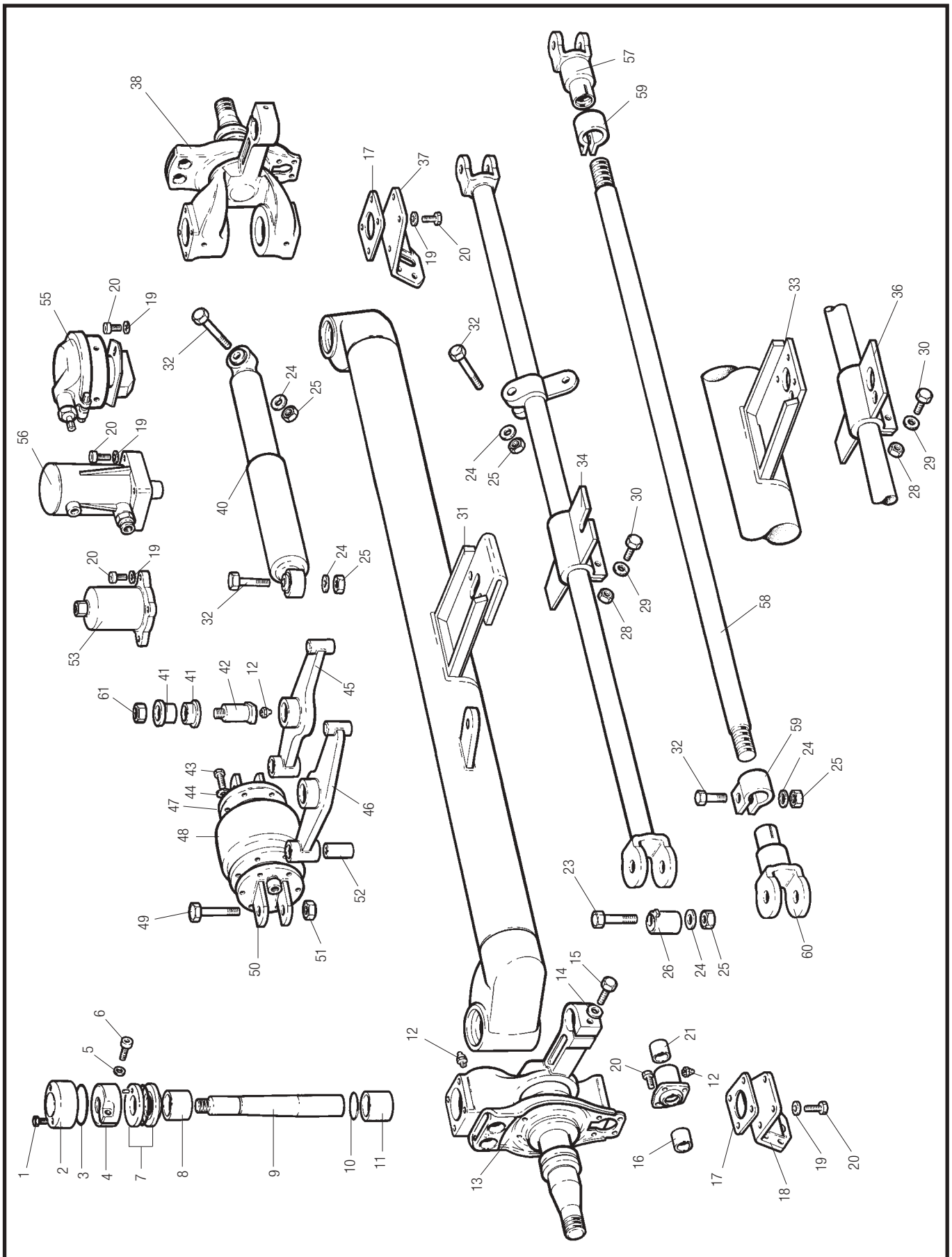


MERITOR™

Item	Description	6/7 Ton	7 Ton	TM20000 TM22500	TM25000	TM20/22500 Twin Shock Absorber
1	Screw, M10 x 16	21212400	21212400	21212400	21212400	21212400
2	Cover	21212401	21212592	21212401	21223348	21212401
3	Bush – king pin, bronze	21212413	–	–	–	21223340
4	King pin – parallel	21212403	–	–	–	21212477
5	King pin washer set	21212404	21212579	21223379	21212457	21212404
6	King pin washer set	21212405	21212580	21223379	21212458	21212405
7	Adjusting nut – king pin	–	21212581	21212453	21212483	–
8	Spring washer	–	21212454	21212454	21212454	–
9	Screw, M10 x 35	–	21212455	21212455	21212455	–
10	Bush – king pin, top	–	21212582	21212456	21212459	–
11	King pin – tapered	–	21212583	21212412	21212460	–
12	Bush – king pin, bottom	–	21212584	21212413	21212461	–
13	Bush – anchor pin	21221028	21221028	21221028	21221028	21221028
14	Grease nipple	21212415	21212415	21212415	21212415	21212415
15	Stub axle – LH series 1	21212416	–	21212418	21212462	21212475
16	Bush camshaft	21209990PK10	21209990PK10	21209990PK10	21209990PK10	21209990PK10
17	Air chamber bracket – LH standard	21212420L	21212587	21212547L	21212547L	21212547L
17	Air chamber bracket – RH standard	21212420R	21212588	21212547R	21212547R	21212547R
17	Air chamber bracket – LH underslung	21212421L	–	21212531L	21212531L	21212531L
17	Air chamber bracket – RH underslung	21212421R	–	21212531R	21212531R	21212531R
18	Spring washer	21212422	21212422	21212422	21212422	21212422
19	Screw, M10 x 25	21212423	21212423	21212423	21212423	21212423
20	Screw, M16 x 60	21212424	21212424	21212424	21212424	21212424
21	Screw	21212445	21212445	21212445	21212425	21212445
22	Rubber bush	21212489	21212489	21212489	21212426	21212489
23	Spring washer	21212492	21212492	21212492	21212427	21212492
24	Nut	21212444	21212444	21212444	21212428	21212444
25	Screw, M16 x 100	21212429	21212429	21212429	21212429	–
26	Disc – air bellows c/w air connection	21212551	21212551	21212551	21212551	–
27	Locknut	21212430	21212430	21212430	21212430	–
28	Torpress – air bellows	21212549	21212549	21212549	21212549	–
29	Disc – air bellows	21212431	21212431	21212431	21212431	–
30	Screw, M8 x 16	21212432	21212432	21212432	21212432	–
31	Bush	21212433	21212433	21212433	21212433	–
32	Air bellows arm – LH	21212552L	21212552L	21212552L	21212552L	–
33	Air bellows arm – RH	21212552R	21212552R	21212552R	21212552R	–
34	Axle beam			specify serial number & track length		
35	Track rod			specify serial number & track length		
36	Locknut	21212438	21212438	21212438	21212438	–
37	Bush			see item 37A		–
37A	Bush	21212594	21212594	21212594	21212594	–
38	Anchor pin – air bellows	21212440	21212440	21212440	21212440	–
39	Locking pin	21212441	21212441	21212441	21212441	21212441
40	Screw, M20 x 80	21212442	21212442	21212442	21212442	21212442
41	Spring washer	21212443	21212443	21212443	21212443	21212443
42	Nut	21212444	21212444	21212444	21212444	21212444
43	Shock absorber	21212534	21212534	21212534	21212534	21212469
44	Screw, M20 x 130	21212445	21212445	21212445	21212445	21212445
45	Screw, M20 x 100	21212446	21212446	21212446	21212446	21212446
46	Coupling plate	21212447	21212447	21212447	21212447	21212447
47	Locking plate	21225634	21223370	21223371	21223371	21212479
48	Air pipe	21212449	21212449	21212449	21212449	–
49	Locking cylinder – complete	21212550	21212550	21212550	21212550	–
50	Screw, M10 x 25	21212450	21212450	21212450	21212450	–
51	Stub axle – RH series 1	21212451	–	21212419	21212465	21212474
52	Locking chamber 9"	21223339	21223339	–	–	21223339
53	Gasket	21212560	21212590	21212560	21212598	21212560
54	Screw – king pin, M14 x 30	21223321	–	–	–	21223321
55	Washer, Ø14	21223322	–	–	–	21223322
56	Roll pin	21212591	21212591	21212561	21212561	21212591
57	Screw, M6 x 14	–	21212485	21212485	21212485	–
58	Dust cap	–	21212576	21212484	21212599	–
59	'O' ring, Ø80	–	21212577	21212486	21212486	–
60	'O' ring	–	21212578	21212548	21223323	–
61	Washer	21212562	21212562	21212562	21212562	21212562
62	Screw	99546002PK10	99546002PK10	99546002PK10	99546002PK10	99546002PK10
63	Bush	21204703	21204703	21204703	21204703	21204703
64	Camshaft support	21222568	21222568	21222568	21222568	21222568
65	Washer, Ø8	21212564	21212564	21212564	21212564	–
66	Screw, M10 x 16	21212400	21212400	–	–	21212400
67	Washer, Ø10	21212422	21212422	–	–	21212422
68	Washer, Ø10	–	–	21212422	21212422	–
69	Locking cylinder inverted (tandem applications)	–	–	21212490	21212490	–
70	Locking plate			specify type		
71	Locking plate			specify type		
72	Screw, M12 x 45	21212565	21212565	21212565	21212565	21212565
73	Nut, M12	21212567	21212567	21212567	21212567	21212567
74	Washer, Ø12	21212566	21212566	21212566	21212566	21212566
75	Stub axle – LH series 2	21223319	21212585	21223319	21223324	–
76	Stub axle – RH series 2	21223332	21212586	21223320	21223325	–
77	Washer, Ø10	21212563	–	–	–	21212563

Steering Axle Parts List

Universal Self Steer



Steering Axle Parts List

Universal Self Steer



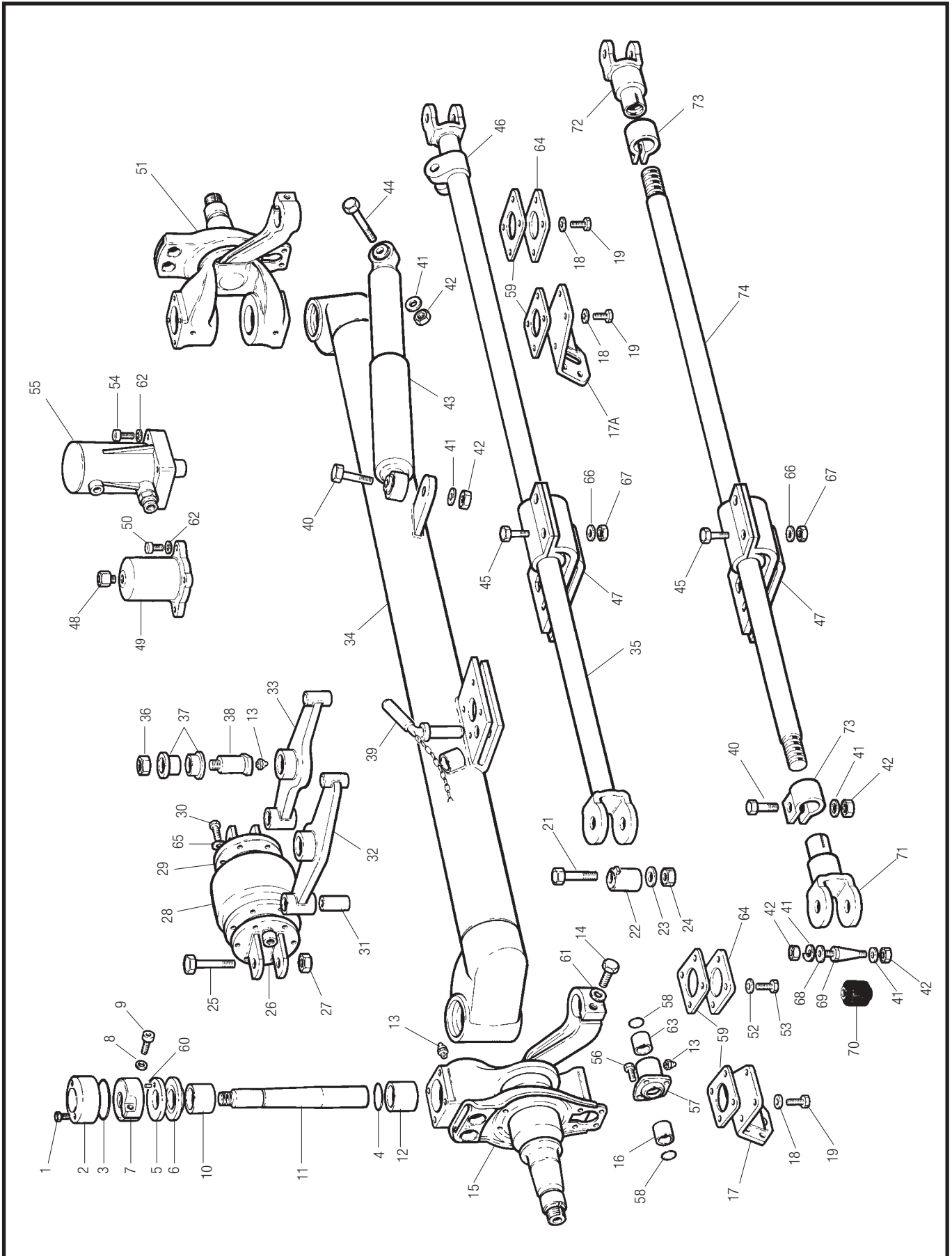
MERITOR™

Item	Description	LM	TM 420 x 180 10T	TM 420 x 180 12T	TM 420 x 220 10T	TM 420 x 220 12T
1	Dust cap screw, self-tapping, M6 x 15	21212485	21212485	21212485	212112485	21212485
2	Dust cap	21212484	21212484	21212599	21212484	21212599
3	'O' ring, Ø79.77 x 5.33	21212486	21212486	21212486	21212486	21212486
4	Adjusting nut – king pin	21212453	21212453	21212483	21212453	21212483
5	Spring washer	21212454	21212454	21212454	21212454	21212454
6	Screw, M10 x 40	21212487	21212487	21212487	21212487	21212487
7	Spacer shims – complete with pin	21223379	21223379	21223380	21223379	21223380
8	Top bush (king pin), bronze	21212456	21212456	21212459	21212456	21212459
9	King pin	21212412	21212412	21212460	21212412	21212460
10	'O' ring	21212548	21212548	21223323	21212548	21223323
11	Bottom bush (king pin), bronze	21212413	21212413	21212461	21212413	21212461
12	Grease nipple	21212415	21212415	21212415	21212415	21212415
13	King pin assy. – LH complete	21225608	21225610	21225612	21225610	21225612
14	Spring washer, Ø16	21212562	21212562	21212562	21212562	21212562
15	Screw, M16 x 55	21212424	21212424	21212424	21212424	21212424
16	Bush (bronze) – camshaft	21209990PK10	21209990PK10	21209990PK10	21209990PK10	21209990PK10
17	King pin cover gasket	21212560	21212560	21212598	21212560	21212598
18	Air chamber bracket – LH, right hand lever	21225639	21225639	21225641	21225643	21225645
18a	Air chamber bracket – LH, lever, radius 38	–	21225616	21225647	21225649	21225651
19	Spring washer, Ø10	21212422	21212422	21212422	21212422	21212422
20	Screw, M10 x 25	21212423	21212423	21212423	21212423	21212423
21	Bush (bronze) – camshaft	21204703	21204703	21204703	21204703	21204703
22	Camshaft support	21222568	21222568	21222568	21222568	21222568
23	Screw, M20 x 130	21212445	21212445	–	21212445	–
23a	Screw, M22 x 130	–	–	21212425	–	21212425
23b	Screw, M20 x 140	21212491	21212491	21212491	21212491	21212491
24	Spring washer, Ø20	21212492	21212492	21212492	21212492	21212492
24a	Spring washer, Ø22	–	–	21212427	–	21212427
25	Locknut, M20	21212444	21212444	21212444	21212444	21212444
25a	Locknut, M22	–	–	21212428	–	21212448
26	Eccentric rubber bush, Ø20	21212489	21212489	–	21212489	–
26a	Eccentric rubber bush, Ø22	–	–	21212426	–	21212426
26b	Eccentric rubber bush, Ø20 (threaded rod)	21212489	21212489	21212489	21212489	21212489
27*	Track rod c/w locking plate – locking cylinder, 9"	21225637	21225637	21225637	21225637	21225637
28	Locknut, M12	21212567	21212567	21212567	21212567	21212567
29	Spring washer, Ø12	21212566	21212566	21212566	21212566	21212566
30	Screw, M12 x 40	21225617	21225617	21225617	21225617	21245617
31	Mounting bracket – locking cylinder, 9"	21225618	21225618	21225618	21225618	21225618
32	Screw, M20 x 90	21225607	21225607	21225607	21225607	21225607
33	Mounting bracket – locking cylinder	21225619	21225619	21225619	21225619	21225619
34	Locking plate – locking cylinder, 9"	21225620	21225620	21225620	21225620	21225620
35*	Track rod c/w locking plate	21225652	21225652	21225652	21225652	21225652
36	Locking plate – locking cylinder	21225621	21225621	21225621	21225621	21225621
37	Air chamber bracket – RH, right hand lever	21225638	21225638	21225640	21225642	21225644
37a	Air chamber bracket – RH, lever, radius 38	–	21225615	21225646	21225648	21225650
38	King pin assy. – RH complete	21225609	21225611	21225613	21225611	21225613
39*	Axle beam (bare)	21225622	21225624	21225625	21225624	21225625
40	Shock absorber	21223345	21223345	21223345	21223345	21223345
41	Anchor pin bush – air bellows	21212594	21212594	21212594	21212594	21212594
42	Anchor pin – air bellows	21212440	21212440	21212440	21212440	21212440
43	Locknut, M8	21225626	21225626	21225626	21225626	21225626
44	Spring washer, Ø8	21212564	21212564	21212564	21212564	21212564
45	Air bellows arm – RH	21212552R	21212552R	21212552R	21212552R	21212552R
46	Air bellows arm – LH	21212552L	21212552L	21212552L	21212552L	21212552L
47	Disc – air bellows RH	21212431	21212431	21212431	21212431	21212431
48	Air bellows – torpress 110	21212549	21212549	21212549	21212549	21212549
49	Screw, M16 x 100	21212429	21212429	21212429	21212429	21212429
50	Disc – air bellows LH c/w air connection	21212551	21212551	21212551	21212551	21212551
51	Locknut, M16	21212430	21212430	21212430	21212430	21212430
52	Bush – air bellows arm	21212433	21212433	21212433	21212433	21212433
53	Locking cylinder	21212550	21212550	21212550	21212550	21212550
54	Screw, M10 x 12	21225627	21225627	21225627	21225627	21225627
55	Locking cylinder, 9"	21223339	21223339	21223339	21223339	21223339
56	Vacuum locking cylinder	21212490	21212490	21212490	21212490	21212490
57	RH threaded clevis	21223398	21223398	21223398	21223398	21223398
58*	Track rod – threaded, complete	21225606	21225606	21225606	21225606	21225606
58a*	Track rod – threaded, Ø42	21212574	21212574	21212574	21212574	21212574
59	Clamp for clevis	21212447	21212447	21212447	21212447	21212447
60	Threaded clevis – LH	21223399	21223399	21223399	21223399	21223399
61	Locknut, M20	21212493	21212493	21212493	21212493	21212493

* Note: For items 27, 35, 58 and 58a: specify track and/or axle serial number
For item 39: specify track, locking mount or axle serial number

Steering Axle Parts List

TE Self Steer



Steering Axle Parts List

TE Self Steer

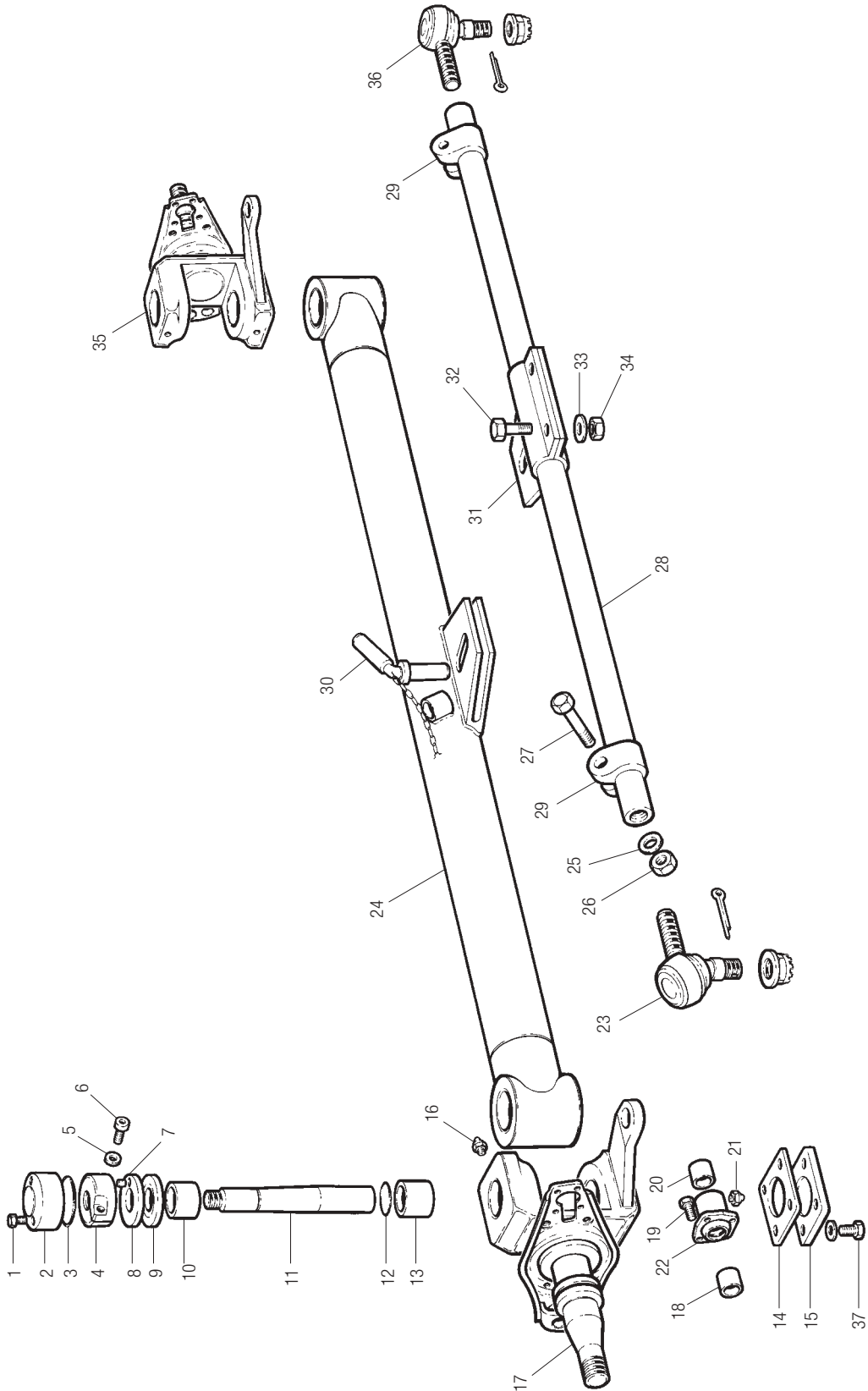


MERITOR™

Item	Description	Part No.
1	Screw, M6 x 14	21212485
2	Dust cover	21212484
3	'O' ring, Ø80	21212486
4	'O' ring, Ø60	21212458
5	King pin washer set	21223379
6	King pin washer set	21223379
7	Adjusting nut – king pin	21212453
8	Spring washer	21212454
9	Screw, M10 x 35	21212455
10	Bush – top	21212456
11	King pin – tapered	21212412
12	Bush – phos. bronze	21212413
13	Grease nipple	21212415
14	Screw, M16 x 60	21212424
15	Spindle complete – LH	21212557
16	Bush – camshaft	21209990PK10
17	Air chamber bracket LH	21212547L
17A	Air chamber bracket RH	21212547R
18	Spring washer	21212422
19	Screw, M10 x 25	21212423
21	Screw, M22 x 130	21212425
22	Rubber bush – eccentric	21212426
23	Spring washer, Ø22	21212427
24	Nut, M22	21212428
25	Screw, M16 x 100	21212429
26	Disc for air bellows LH	21212551
27	Locknut, M16	21212430
28	Torpress 110	21212549
29	Disc for air bellows RH	21212431
30	Screw, M8 x 16	21212432
31	Bush	21212433
32	Air bellows arm – LH	21212552L
33	Air bellows arm – RH	21212553R
34	Axle beam – specify serial number & track length	
35	Track rod – specify serial number & track length	21212437
36	Locknut, M20	21212438
37	Bush	21212594
38	Anchor pin – air bellows	21212440
39	Manual locking pin	21212441
40	Screw, M20 x 80	21212442
41	Spring washer, Ø20	21212443
42	Nut, M20	21212444
43	Shock absorber	21212534
43A	Shock absorber	21212575
44	Screw, M20 x 130	21212445
45	Screw, M12 x 45	21212565
46	Coupling plate	21212447
47	Locking plate	21212448
48	Air pipe, M12 x 1	21212449
49	Locking cylinder	21212550
50	Screw, M10 x 25	21212450
51	Spindle complete – RH	21212556
52	Washer	21212563
53	Screw, M10 x 16	21212400
54	Screw, M10 x 30	21212559
55	Locking cylinder	21212490
56	Screw, self tapping M10	99546002PK10
57	Camshaft support	21222568
58	'O' ring	21016721
59	Gasket	21212560
60	Split roll pin	21212591
61	Washer, Ø16	21212562
62	Washer, Ø10	21212422
63	Bush – camshaft	21204703
64	Cover	21212401
65	Washer, Ø8	21212454
66	Spring washer, Ø12	21212566
67	Nut, M12	21212567
68	Washer	21212568
69	Conical pin	21212569
70	Rubber bush	21212570
71	Yoke end LH	21223398
72	Yoke end RH	21223399
73	Clamp	21212573
74	Track rod – threaded	21212574

Steering Axle Parts List

Command Steer



Steering Axle Parts List

Command Steer



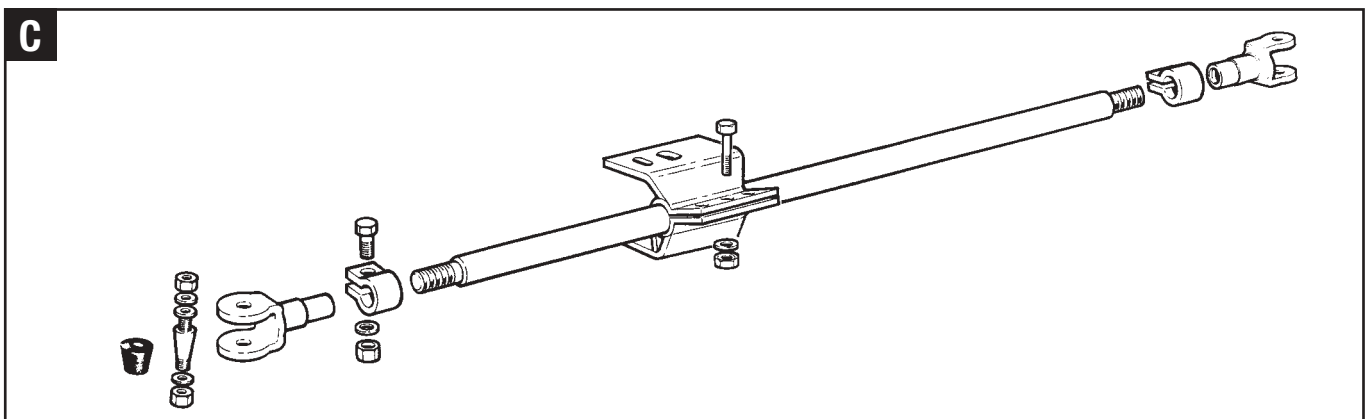
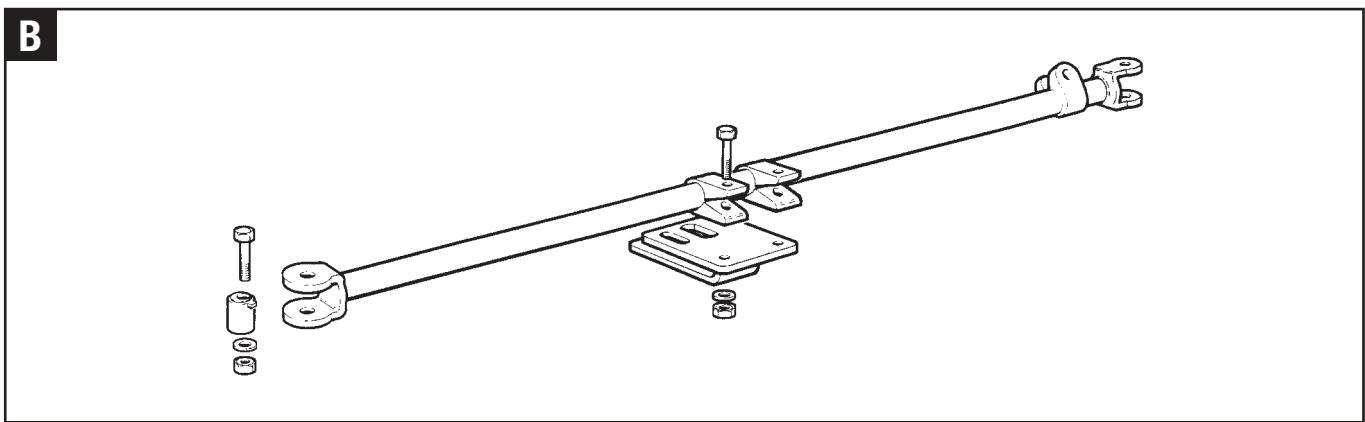
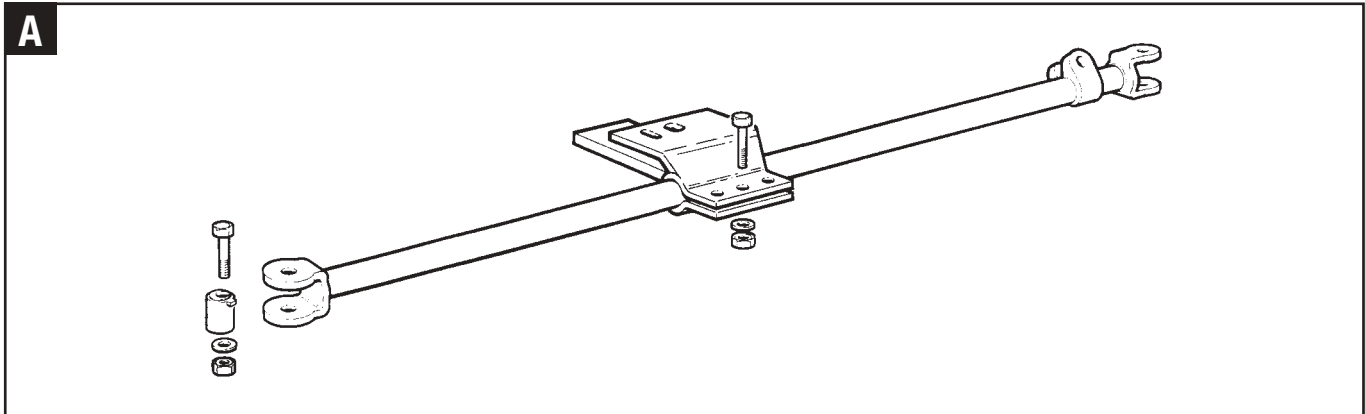
MERITOR™

Item	Description	Part Number
1	Screw M6 x 14	21212485
2	Dust cap	21212599
3	'O' ring Ø80	21212486
4	Adjusting nut	21212483
5	Spring washer Ø10	21212454
6	Screw – M10 x 35	21212455
7	Spring pin	21212561
8	Top washer	21212457
9	Bottom washer	21212458
10	Bush – top king pin	21212459
11	King pin – tapered	21212460
12	'O' ring – king pin Ø70	21223323
13	Bush – bottom king pin	21212461
14	Gasket	21212598
15	Cover	21212599
16	Grease nipple	21212415
17	Spindle assy LH AC brake	21223308
17	Spindle assy LH B brake	21223310
17	Spindle assy LH Q brake	21223312
17	Spindle assy LH Z brake	21223314
18	Bush	21209990PK10
19	Screw	99520004
20	Bush	21204703
21	Grease fitting	21212415
22	Camshaft support sleeve assy	21222568
23	Knuckle track rod LH	21223306
24	Axle beam – specify track	21225655
25	Spring washer Ø20	21212443
26	Nut M20	21212444
27	Screw M20 x 80	21212442
28	Track rod – specify track	21223316
29	Clamp – track rod	21212573
30	Locking pin	21212441
31	Locking plate	21223318
32	Screw – M12x45	21212565
33	Washer Ø12	21212566
34	Nut M12	21212567
35	Spindle assy RH AC brake	21223309
35	Spindle assy RH B brake	21223311
35	Spindle assy RH Q brake	21223313
35	Spindle assy RH Z brake	21223315
36	Knuckle track rod RH	21223307
37	Screw – king pin cover M10 x 16	21212400

Items 30 to 34 inclusive are optional.

Steering Axle Parts List

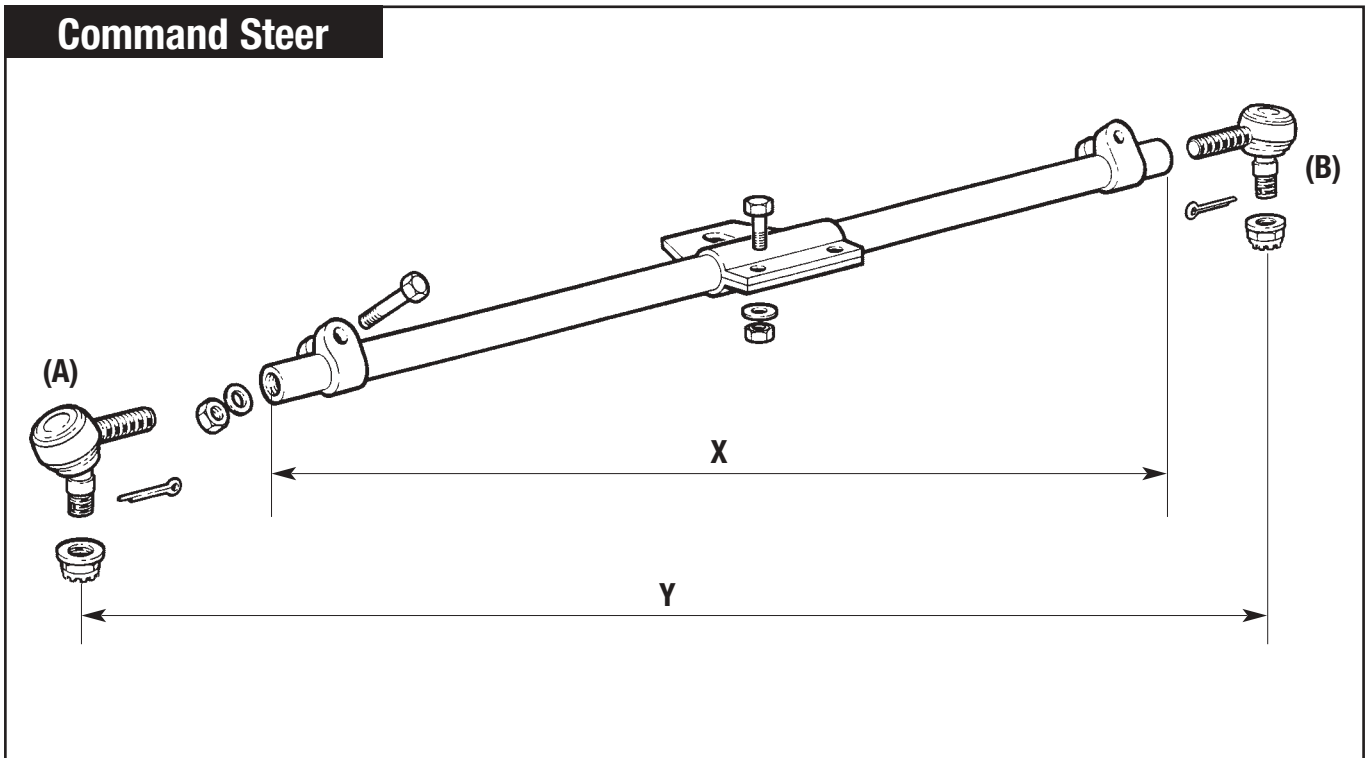
Track Rods



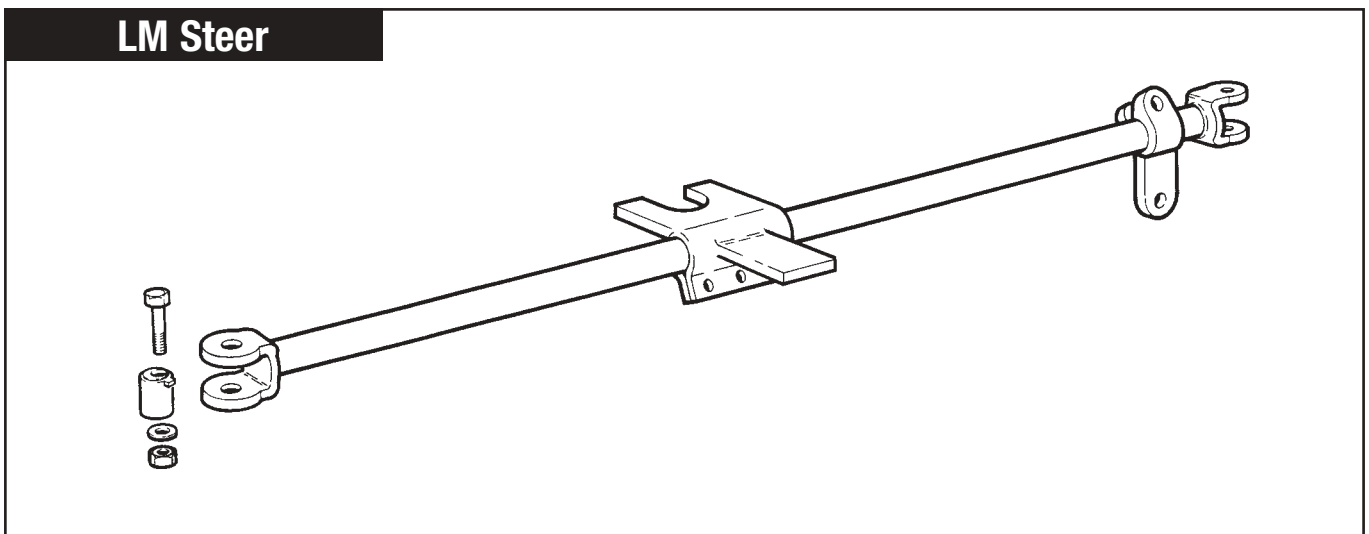
Part Number	Hole Centres	Axle Track	Axle Type
21223353	1394mm	2040mm	TE 12221212 A
21223354	1444mm	2090mm	TE 12221213 A
21223355	1504mm	2150mm	TE 96098536 A
21223356	1394mm	2040mm	TE 96098571 A
21223363	1394mm	2040mm	TE 96098573 C (Threaded)
21223358	1293mm	2045mm	TM 96109060 (PANDORO Special)
21223362	1293mm	2045mm	TM 96109061 (PANDORO) A
21223357	1333mm	2045mm	TM 12214384 / 96108573 B
21223361	1293mm	2045mm	TM 12218142 B
21223359	1168mm	1920mm	TM 12218747 (AC) B
21223360	1068mm	1820mm	TM 12218751 (AC) B
21223364	1133mm	1880mm	TM 12218129 (BMX) B

Steering Axle Parts List

Track Rods



Part Number	Rod Centres	Tube Length	Axle Track	Axle Type
21223316	1380mm (Y)	1260mm (X)	2128	Command steer
21223306				(A) Knuckle (LH)
21223307				(B) Knuckle (RH)

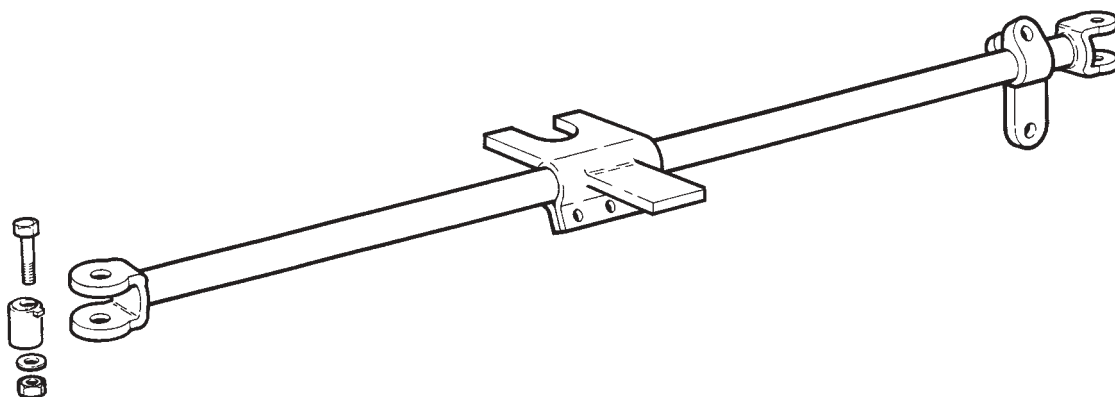


Part Number	Hole Centres	Axle Track	Axle Type
21223367	1406mm	2045mm	LM A1620456001A
21223368	1456mm	2100mm	LM A1621006001A
21223369	1516mm	2150mm	LM A1621506001A

Steering Axle Parts List

Track Rods

TM Universal



Part Number	Hole Centres	Axle Track	Axle Type
21223382	1120	1820	GF004010013A
21223383	1150	1850	GF004010014A
21223384	1180	1880	GF004010015A
21223385	1220	1920	GF004010016A
21223386	1300	2000	GF004010017A
21223387	1345	2045	GF004010018A
21223388	1365	2065	GF004010019A
21223389	1428	2128	GF004010020A
21223390	1485	2185	GF004010021A
21223391	1085	1820	GF004010022A
21223392	1310	2045	GF004010023A
21223393	1330	2065	GF004010024A
21223394	1393	2128	GF004010025A

Steering Axle Parts List



Warranty

A comprehensive network of original parts distributors and service stations operate throughout Europe; this is supported internationally with agents strategically placed around the world.

All Meritor replacement parts obtained through original parts distributors are covered by a one year warranty.

For full warranty terms and conditions see 'Meritor Warranty Terms and Conditions' Publication No 4.84.1

Meritor reserve the right to make changes in specifications shown herein or add improvements at any time without notice or obligation.

PARTS SHOWN IN THIS SPARES LIST ARE MADE FROM DRAWINGS IN WHICH COPYRIGHT SUBSISTS. THE MAKING OF COPIES OF ANY OF THESE PARTS IS PROHIBITED.

© Meritor HVS Limited

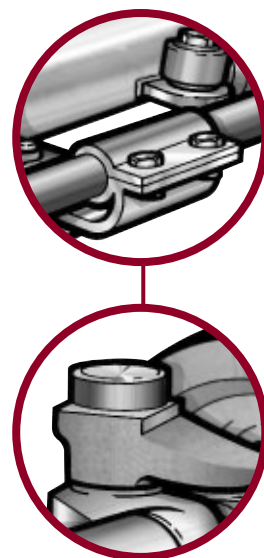


The high quality assurance management systems applied by Meritor are endorsed with the awarding of ISO 9001, Lloyd's Register Quality Assurance.

Steering Axle Parts List

Steering Axle Parts List





ArvinMeritor

Commercial Vehicle Aftermarket AG
Neugutstrasse 89
8600 Dübendorf
Switzerland
Tel: +41 (0)44 824 82 00
Fax: +41 (0)44 824 82 65

ArvinMeritor

Commercial Vehicle Aftermarket Ltd.
Park Lane, Great Alne, Alcester
Warwickshire B49 6HT
U.K.
Tel: 0845 606 7733
Fax: 0845 606 8844

www.arvinmeritor.com

Descriptions and specifications were in effect at the time of publication and are subject to change without notice or liability. Meritor reserve the right to make design improvements, change or discontinue parts at any time.

© Copyright 2004
Meritor Automotive
All rights Reserved

Issued 08-04
Publication CVA-4.68.3

ArvinMeritor™