

MERITOR TRAILER PRODUCTS



MERITOR



August 2014



CONTENT

CONTENU · INHALT · CONTENUTO · INHOUD · CONTENIDO · ZAWARTOŚĆ · СОДЕРЖАНИЕ · CONTEÚDO · المحتويات



1.	LM & LC SERIES AXLES	5
2.	TA & TC SERIES AXLES	37
3.	TE SERIES AXLES	63
4.	TM SERIES AXLES	77
5.	STEERING AXLES	105
6.	FLEXAIR & FLEXLITE AIR SUSPENSIONS	119
7.	INDAIR AIR SUSPENSIONS	171
8.	SMT MECHANICAL SUSPENSIONS	181
9.	AXL SERVICE KITS	193

1
LM & LC

2
TA & TC

3
TE

4
TM

5
STEERING
AXLES

6
FLEXAIR
FLEXLITE

7
INDAIR

8
SMT

9
AXL KITS

1

LM & LC

2

TA & TC

3

TE

4

TM

5

STEERING
AXLES

6

FLEXAIR
FLEXLITE

7

INDAI

8

SMT

9

AXL KITS

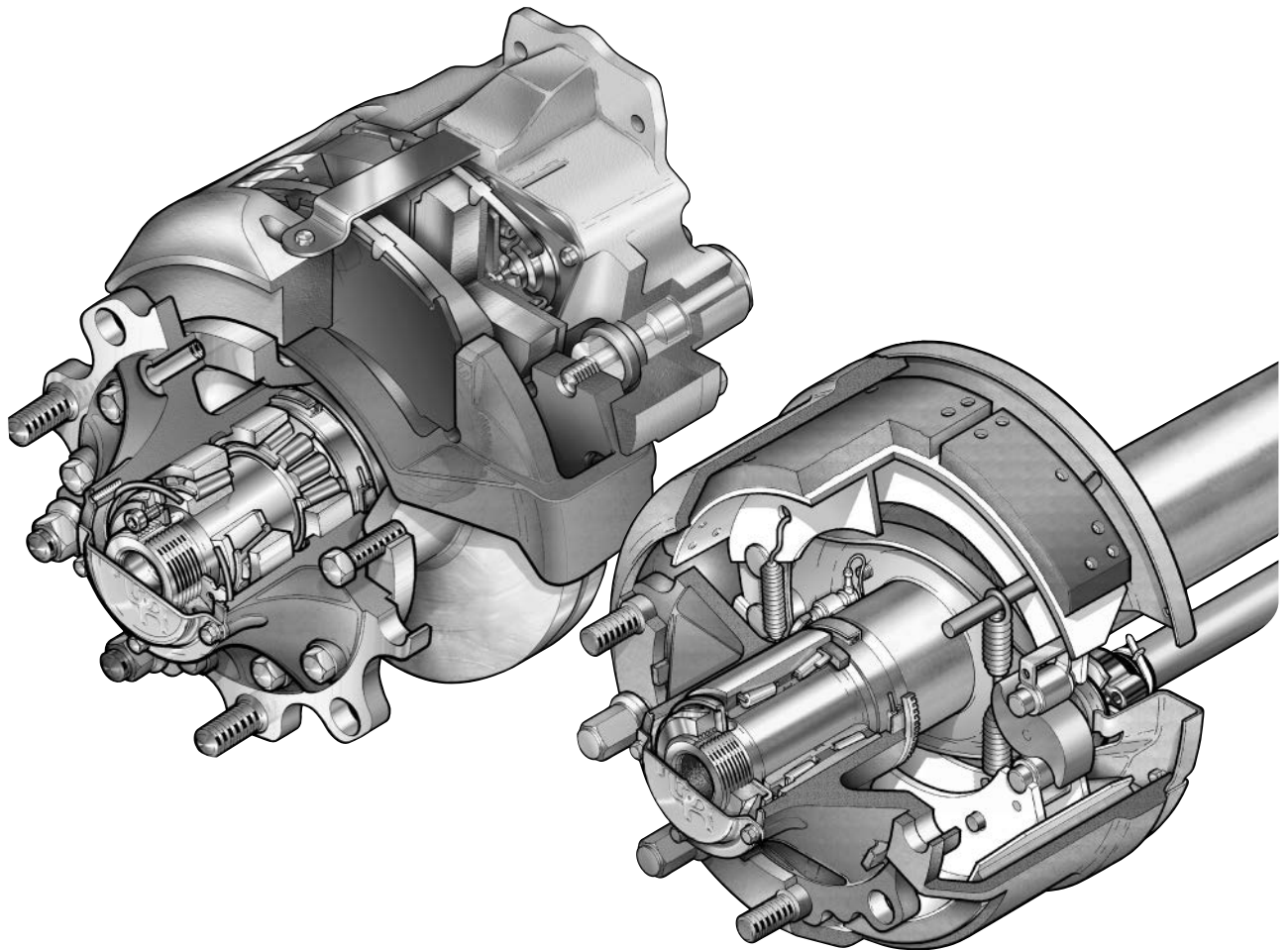




MERITOR TRAILER PRODUCTS AXLE & BRAKE PARTS LIST

LM AND LC SERIES AXLES

including disc and drum brake variants



1
LM & LC

2
TA & TC

3
TE

4
TM

5
STEERING
AXLES

6
FLEXAIR
FLEXLITE

7
INDAIR

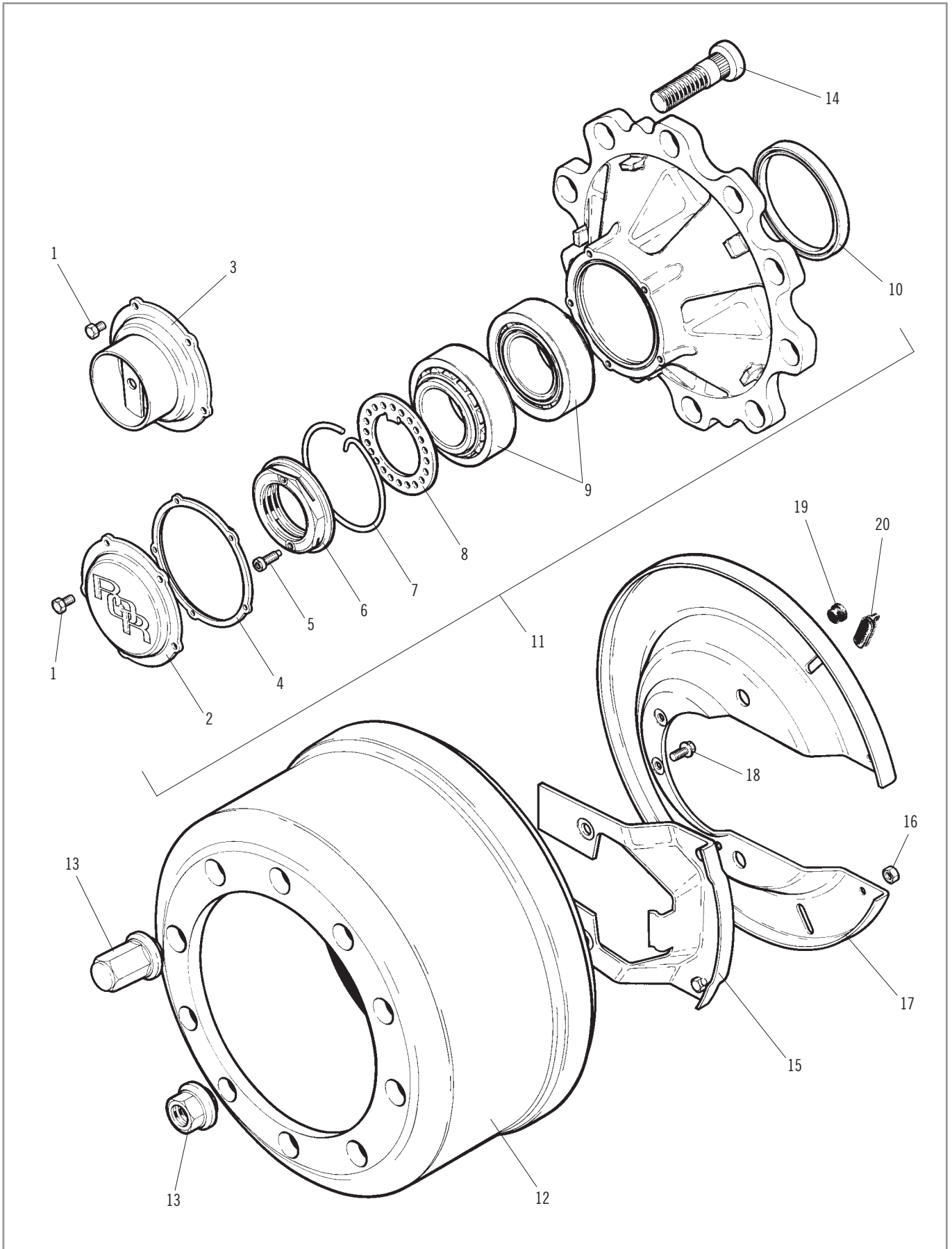
8
SMT

9
AXL KITS

LM & LC PARTS LIST

LM/LC HUB ASSEMBLY

- 1 LM & LC
- 2 TA & TC
- 3 TE
- 4 TM
- 5 STEERING AXLES
- 6 FLEXAIR FLEXLITE
- 7 INDAL
- 8 SMT
- 9 AXL KITS



LM & LC PARTS LIST

LM/LC HUB ASSEMBLY



Item	Description	Part Number
1	Screw, hub cap	99543001
2	Hub cap	21224673
3	Hub cap – hubodometer	21224904
4	Gasket, hub cap	21224759
5	Screw, pinch nut	21224864
6	Pinch nut	21224762
7	Retaining clip	21224865PK5
8	Retaining washer	21224669
9	Bearings	99041075
10	Oil seal	21200321A
11	LM Hub assembly*	14224748
11A	LC Hub assembly (not shown)**	–
12	Brake drum	21220183V
13	Wheel nut	see table below
14	Wheel bolt, steel wheel	21220132
14	Wheel bolt, aluminium wheel	21220969
14	Wheel bolt, universal steel/aluminium, coated, (use with dacromet wheel nut)	21226339
15	Filler plate – for axles manufactured before April 2001	15224518
15	Filler plate – for axles manufactured after April 2001	15225842
16	Nut, filler plate	99544000
17	Dust cover	21224522
18	Screw, dust cover	99546002
19	Plug, blanking	21211385
20	Plug, inspection	21220719
21	400g Cartridge MERITOR hub grease (not shown)	99538007
22	100g Tube Optimol Optimoly White Paste T (not shown)	99538009

* Does not include items 5 or 6

** see page 17 for LC hub parts

WHEEL NUTS 32mm ACROSS FLATS			
NEW PART NUMBER	REPLACES EXISTING NUMBERS	TYPE	FINISH COATING
21226395	21218643 / 21218644	STANDARD OPEN	PHOSPHATE & OIL
21226396	21225528 / 21225529	STANDARD OPEN	DACROMET 500 & OIL
21226397	21218645 / 21218621	CLOSED END	PHOSPHATE & OIL
21226484	N/A	CLOSED END	DACROMET 500 & OIL

1
LM & LC

2
TA & TC

3
TE

4
TM

5
STEERING AXLES

6
FLEXAIR FLEXLITE

7
INDAIR

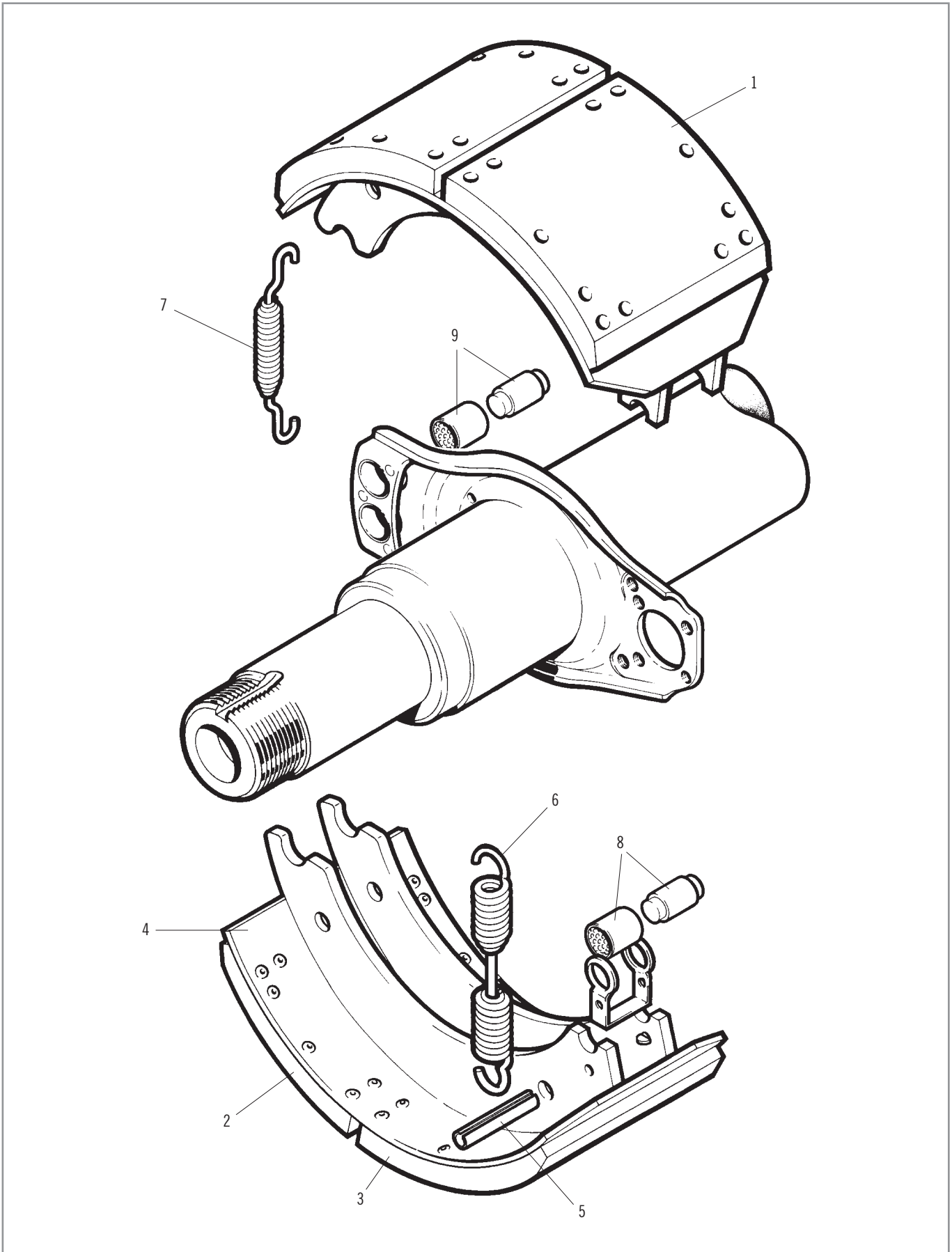
8
SMT

9
AXL KITS

LM & LC PARTS LIST

LM/LC BRAKE ASSEMBLY

- 1
LM & LC
- 2
TA & TC
- 3
TE
- 4
TM
- 5
STEERING AXLES
- 6
FLEXAIR FLEXLITE
- 7
INDAI
- 8
SMT
- 9
AXL KITS



LM & LC PARTS LIST

LM/LC BRAKE ASSEMBLY



Item	Description	Part Number
1	Brake shoe lined assembly	15224952R
2	Brake lining, anchor end	BLKQ+R
3	Brake lining, cam end	
4	Brake shoe assembly, welded	15224724S
5	Roll pin	21220171PK20
6	Return spring	21221224PK10
7	Retaining spring	21205194PK100
8	Cam roller assembly	15226262
9	Anchor pin and bush assembly	15226632
*10	25g Sachet MERITOR brake grease (not shown)	99226786
*11	400g Cartridge MERITOR brake grease (not shown)	99226787

* Must be used with items 8 and 9

NB. Items 8 and 9 must be used as a matched set, individual components are not interchangeable with old style parts

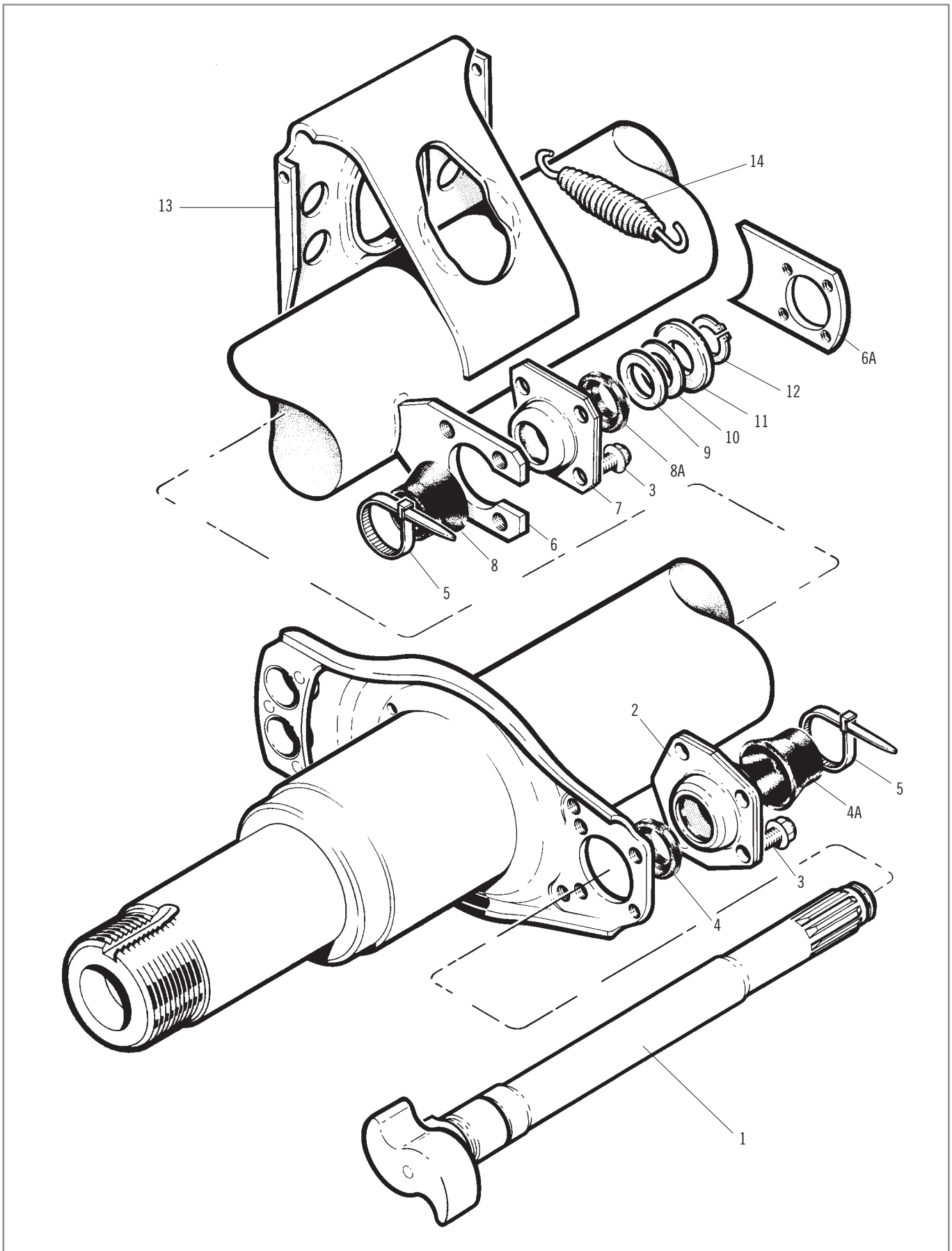
- 1
LM & LC
- 2
TA & TC
- 3
TE
- 4
TM
- 5
STEERING AXLES
- 6
FLEXAIR FLEXLITE
- 7
INDAIR
- 8
SMT
- 9
AXL KITS

LM & LC PARTS LIST

LM/LC CAMSHAFT ASSEMBLY

up to 31st March 2001

- 1
LM & LC
- 2
TA & TC
- 3
TE
- 4
TM
- 5
STEERING AXLES
- 6
FLEXAIR FLEXLITE
- 7
INDAI
- 8
SMT
- 9
AXL KITS



LM & LC PARTS LIST

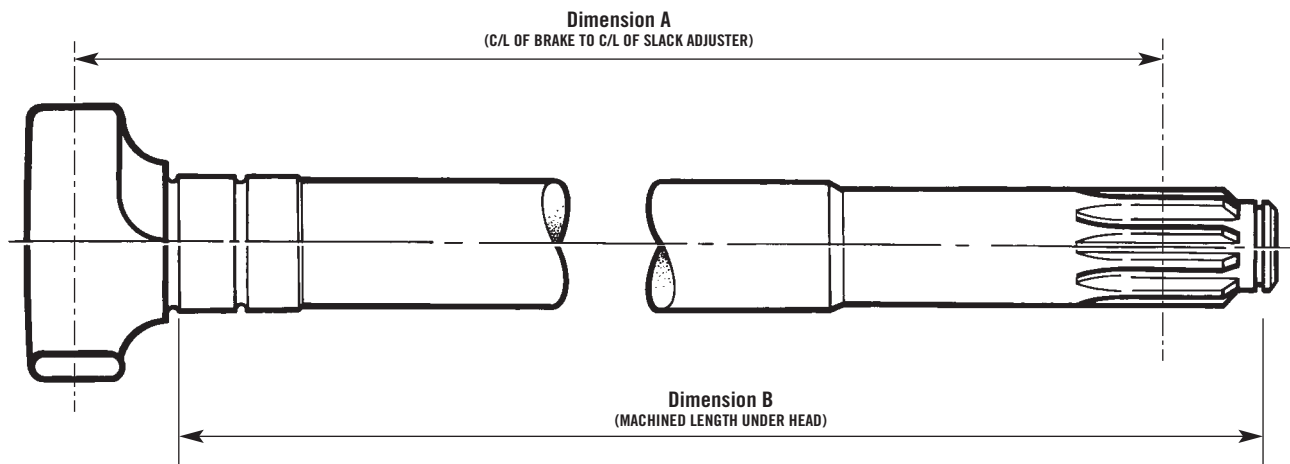
LM/LC CAMSHAFT ASSEMBLY

up to 31st March 2001



Item	Description	Part Number
1	Camshaft LH/RH	See table below
2	Cam head bearing assembly	15224821
3	Screw, bearing	99546002
4	Inner boot, cam end	21224729
4A	Outer boot, cam end	21224730
5	Tie wrap	21221065
6	Camshaft bracket	21220982
6A	Camshaft bracket (axles built after Sept '99)	21020300
7	Spline end bearing assembly	15213430
8	Inner boot, spline end	21204849
8A	Outer boot, spline end	21205667
9	Washer, spacing, thick	21006627
10	Washer, spacing, thin	21006662
11	Retaining washer	21219862
12	Circlip	99507030
13	Air chamber bracket	21221004
14	Assister spring	21210215PK10
*15	25g Sachet MERITOR grease (not shown)	99226786
*16	400g Cartridge MERITOR grease (not shown)	99226787

* NB. Items 15 & 16 must be used on items 2 & 7



Dimension 'A'	Dimension 'B'	Part Number	
		Right Hand	Left Hand
229.9	232.4	21224857	21224858
253.5	258.0	21224855	21224856
412.2	416.721	22484921	224850
475.7	480.2	21224847	21224848
521.0	525.5	21224793	21224794
544.5	549.0	21224853	21224854
564.0	568.5	21224851	21224852
583.0	587.5	21224795	21224796
605.5	610.0	21224845	21224846
622.5	627.0	21224843	21224844
632.5	637.0	21224841	21224842
658.8	663.3	21224859	21224860

1
LM & LC

2
TA & TC

3
TE

4
TM

5
STEERING AXLES

6
FLEXAIR FLEXLITE

7
INDAIR

8
SMT

9
AXL KITS

LM & LC PARTS LIST

LM/LC CAMSHAFT ASSEMBLY

from 1st April 2001

1

LM & LC

2

TA & TC

3

TE

4

TM

5

STEERING
AXLES

6

FLEXAIR
FLEXLITE

7

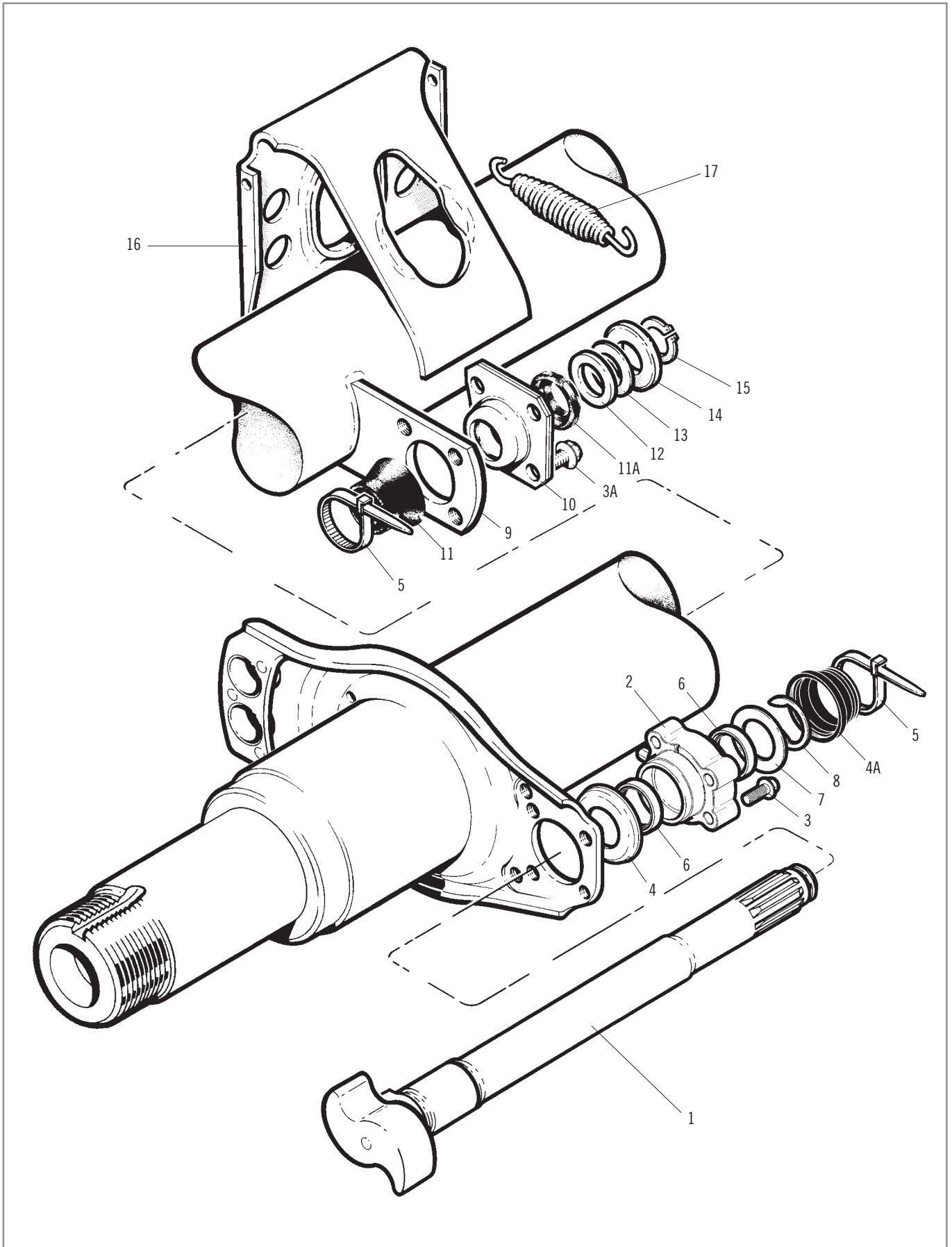
INDAI

8

SMT

9

AXL KITS



LM & LC PARTS LIST

LM/LC CAMSHAFT ASSEMBLY

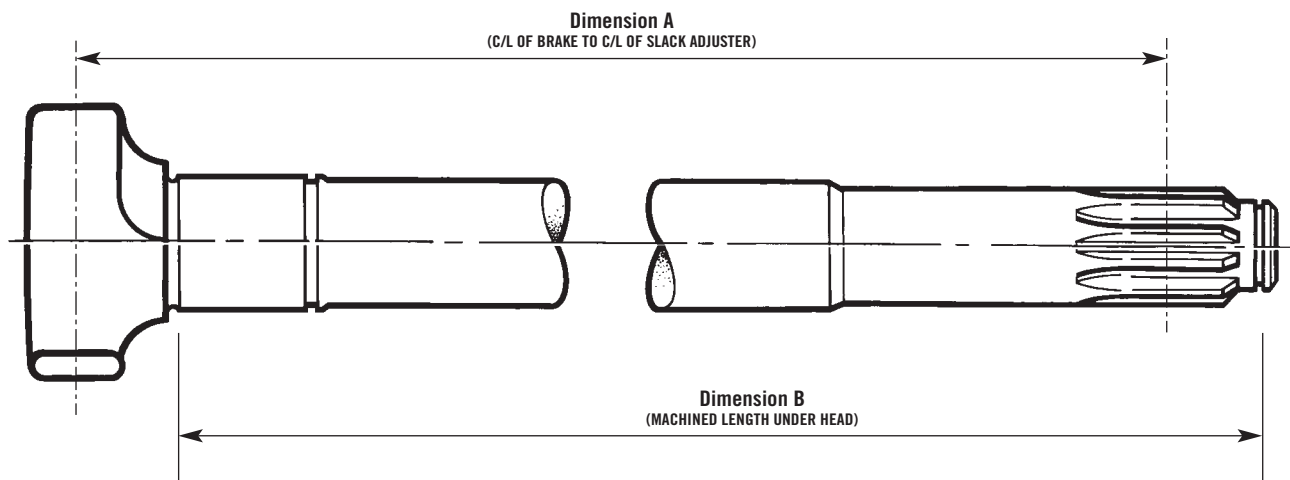
from 1st April 2001



Item	Description	Part Number
1	Camshaft LH/RH	See table below
2	Cam head bearing assembly**	A23105Q1213
3	Screw, bearing, cam end**	99546000
3A	Screw, bearing, spline end**	99546002
4	Washer seal**	1229K4795
4A	Boot, cam end**	2260K1155
5	Tie wrap**	21221065
6	Lip seal (part of item 2)	—
7	Washer**	1229S4101
8	Snap ring**	1229T4102
9	Camshaft bracket	21020300
10	Spline end bearing assembly**	15213430
11	Inner boot, spline end**	21204849
11A	Outer boot, spline end**	21205667
12	Washer, spacing, thick**	21006627
13	Washer, spacing, thin**	21006662
14	Retaining washer**	21219862
15	Circlip**	99507030
16	Air chamber bracket	21221004
17	Assister spring	21210215PK10
*18	25g Sachet MERITOR grease (not shown)	99226786
19	400g Cartridge MERITOR grease (not shown)	99226787

* NB. Items 18 & 19 must be used on items 2 & 10

** All contained in service kit AXL 140



Dimension 'A'	Dimension 'B'	Part Number	
		Right Hand	Left Hand
412.2	416.7	21227086	21227087
521.0	525.5	21227084	21227085
544.5	549.0	21227082	21227083
583.0	587.5	21227080	21227081
605.5	610.0	21227078	21227079
622.5	627.0	21227076	21227077
632.5	637.0	21227074	21227075
188.5*	193.00*	21225020*	21225021*

*Steering axle

1
LM & LC

2
TA & TC

3
TE

4
TM

5
STEERING AXLES

6
FLEXAIR FLEXLITE

7
INDAIR

8
SMT

9
AXL KITS

LM & LC PARTS LIST

LM/LC ABS ASSEMBLY

1

LM & LC

2

TA & TC

3

TE

4

TM

5

STEERING
AXLES

6

FLEXAIR
FLEXLITE

7

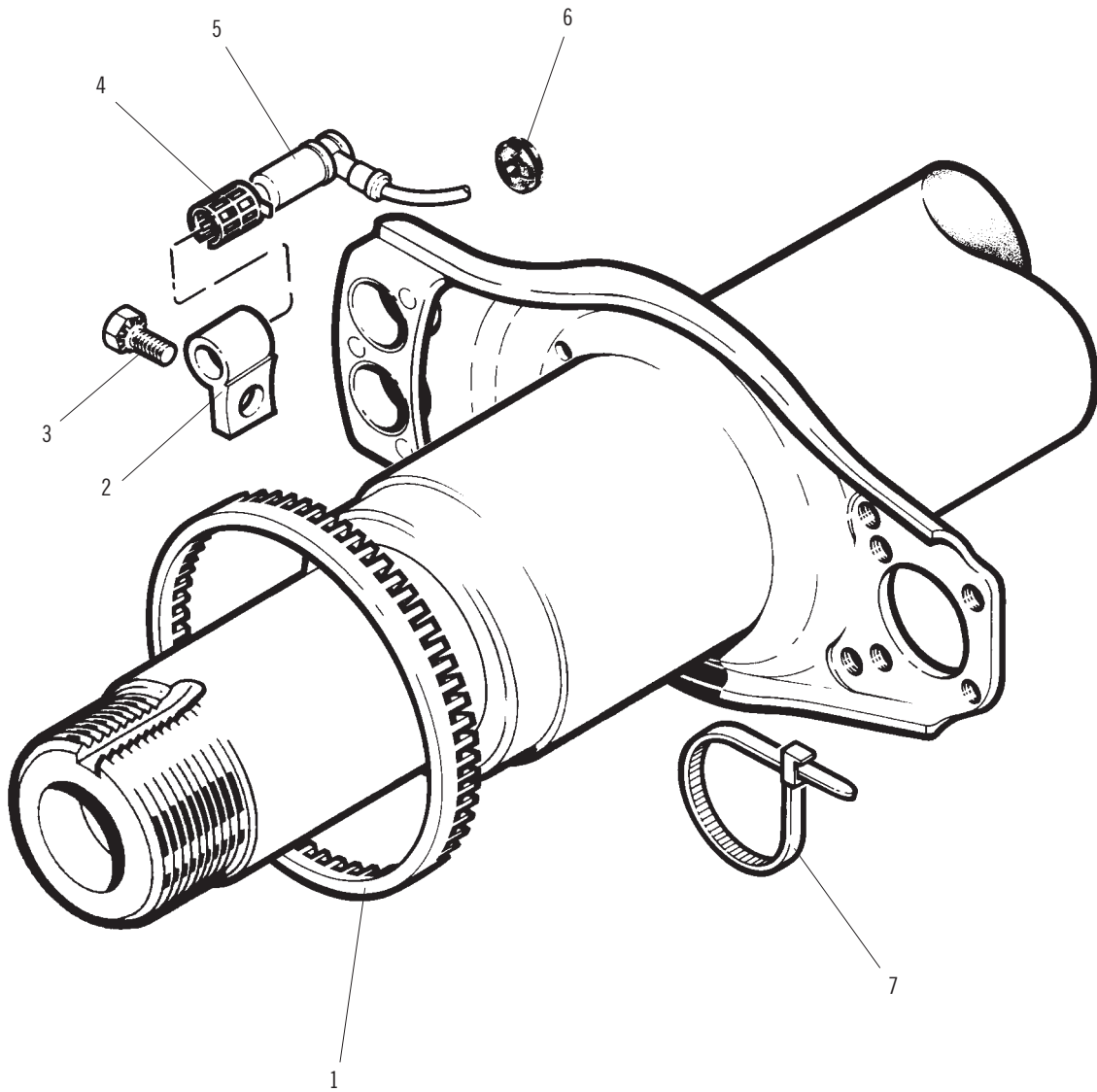
INDAI

8

SMT

9

AXL KITS



LM & LC PARTS LIST

LM/LC ABS ASSEMBLY



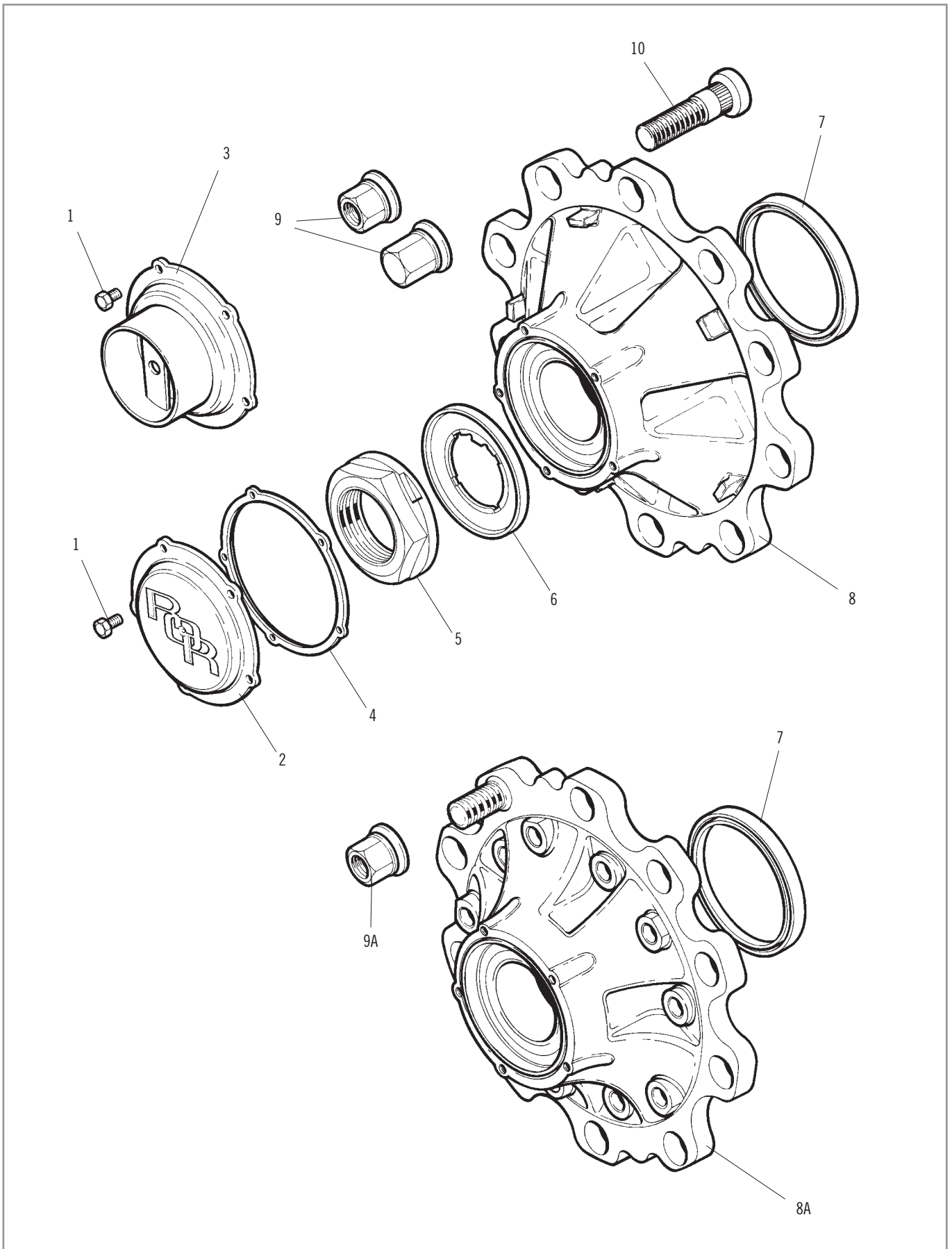
Item	Description	Part Number
1	Pole wheel	21213316
2	Sensor block	22224705
3	Screw, sensor block	99541002
4	Spring clip	21213036
5	Sensor	21213034
6	Strain relief bush	21222319
7	Cable tie	21221065
8	Grease for sensor bush (not shown)	99226786

- 1 LM & LC
- 2 TA & TC
- 3 TE
- 4 TM
- 5 STEERING AXLES
- 6 FLEXAIR FLEXLITE
- 7 INDAIR
- 8 SMT
- 9 AXL KITS

LM & LC PARTS LIST

LC HUB ASSEMBLY

- 1
LM & LC
- 2
TA & TC
- 3
TE
- 4
TM
- 5
STEERING AXLES
- 6
FLEXAIR FLEXLITE
- 7
INDAI
- 8
SMT
- 9
AXL KITS



LM & LC PARTS LIST

LC HUB ASSEMBLY



Item	Description	Part Number
1	Screw, hub cap	99543001
2	Hub cap	21224673
3	Hub cap – hubodometer	21224904
4	Gasket, hub cap	21224759
5	Axle end nut	21225405
6	Stake washer assembly	21225514
7	Auxiliary oil seal	21200321A
8	LC Hub assembly, drum brake	14225290
8A	LC Hub assembly, disc brake	14225494
8B	LC Hub assembly – offset, ELSA 2 disc brake only (not shown)	14227482
8C	LC Hub assembly – 8 stud, ELSA 195 disc brake only (not shown)	14227406
9	Wheel nut, drum brake	see table below
9A	Wheel nut, disc brake	21226396
10	Wheel bolt, steel wheel	21225086
10	Wheel bolt, aluminium wheel	21220132
10	Wheel bolt, universal steel/aluminium wheel, coated, (use with dacromat wheel nut)	21226340

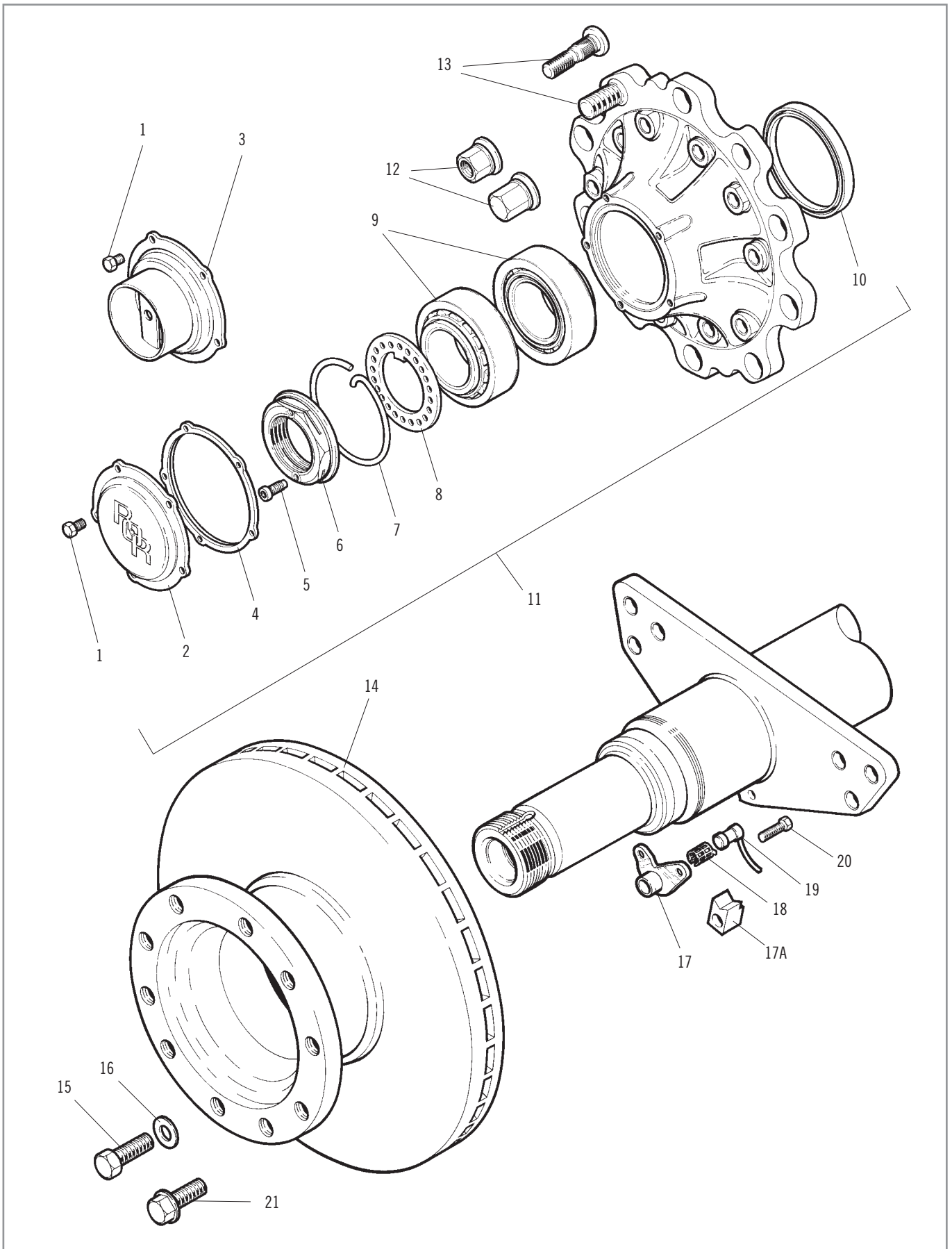
WHEEL NUTS 32mm ACROSS FLATS			
NEW PART NUMBER	REPLACES EXISTING NUMBERS	TYPE	FINISH COATING
21226395	21218643 / 21218644	STANDARD OPEN	PHOSPHATE & OIL
21226396	21225528 / 21225529	STANDARD OPEN	DACROMET 500 & OIL
21226397	21218645 / 21218621	CLOSED END	PHOSPHATE & OIL
21226484	N/A	CLOSED END	DACROMET 500 & OIL

- 1
LM & LC
- 2
TA & TC
- 3
TE
- 4
TM
- 5
STEERING AXLES
- 6
FLEXAIR
FLEXLITE
- 7
INDAIR
- 8
SMT
- 9
AXL KITS

LM & LC PARTS LIST

LM/LC DX195 HUB, DISC AND ABS ASSEMBLY

- 1
LM & LC
- 2
TA & TC
- 3
TE
- 4
TM
- 5
STEERING AXLES
- 6
FLEXAIR FLEXLITE
- 7
INDAI
- 8
SMT
- 9
AXL KITS



LM & LC PARTS LIST

LM/LC DX195 HUB, DISC AND ABS ASSEMBLY



Item	Description	Part Number
1	Screw, hub cap	99543001
2	Hub cap	21224673
3	Hub cap – hubodometer	21224904
4	Gasket, hub cap	21224759
5	Screw, pinch nut	21224864
6	Pinch nut	21224762
7	Retaining clip	21224865PK5
8	Retaining washer	21224669
9	Bearings	99041075
10	Oil seal	21200321A
11	LM Hub assembly*	14225425
11A	LC Hub assembly (not shown)**	–
12	Wheel nut	see table below
13	Wheel bolt, steel wheel	21225086
13	Wheel bolt, aluminium wheel	21220132
13	Wheel bolt, universal steel/aluminium wheel, coated (use with dacromat wheel nut)	21226340
14	Brake disc	21227349
15	M16 x 65 Brake disc mounting bolt	21225100
16	Hardened washer	21224978
17	Sensor bracket (from June 2000)	21226429
17A	Sensor block (pre June 2000)	21213035
18	Spring clip	21213036
19	Sensor	21213034
20	Screw, sensor bracket (from June 2000)	99543002
21	M16 x 60 Brake disc flanged mounting bolt – replaces items 15 & 16 from July 2001	21227263

* Does not include items 5 or 6

** see page 17 for LC hub parts

WHEEL NUTS 32mm ACROSS FLATS			
NEW PART NUMBER	REPLACES EXISTING NUMBERS	TYPE	FINISH COATING
21226395	21218643 / 21218644	STANDARD OPEN	PHOSPHATE & OIL
21226396	21225528 / 21225529	STANDARD OPEN	DACROMET 500 & OIL
21226397	21218645 / 21218621	CLOSED END	PHOSPHATE & OIL
21226484	N/A	CLOSED END	DACROMET 500 & OIL

1
LM & LC

2
TA & TC

3
TE

4
TM

5
STEERING AXLES

6
FLEXAIR FLEXLITE

7
INDAIR

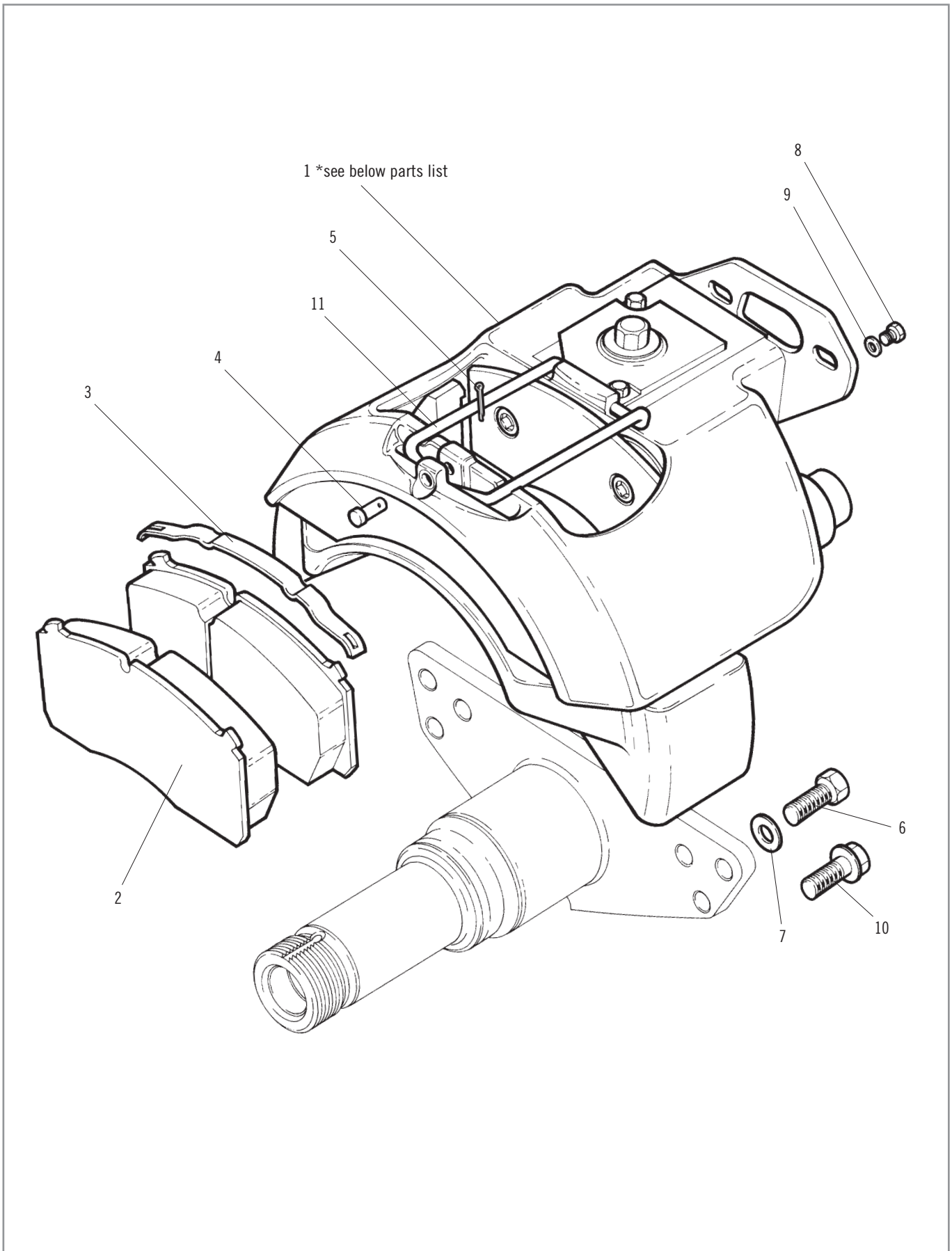
8
SMT

9
AXL KITS

LM & LC PARTS LIST

DX195 BRAKE ASSEMBLY

- 1
LM & LC
- 2
TA & TC
- 3
TE
- 4
TM
- 5
STEERING AXLES
- 6
FLEXAIR FLEXLITE
- 7
INDAI
- 8
SMT
- 9
AXL KITS



LM & LC PARTS LIST

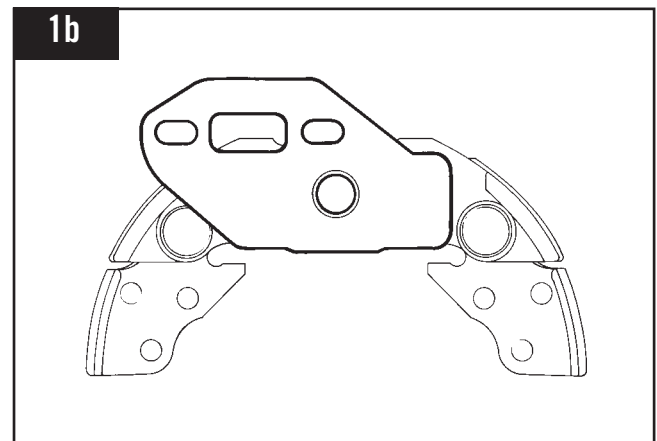
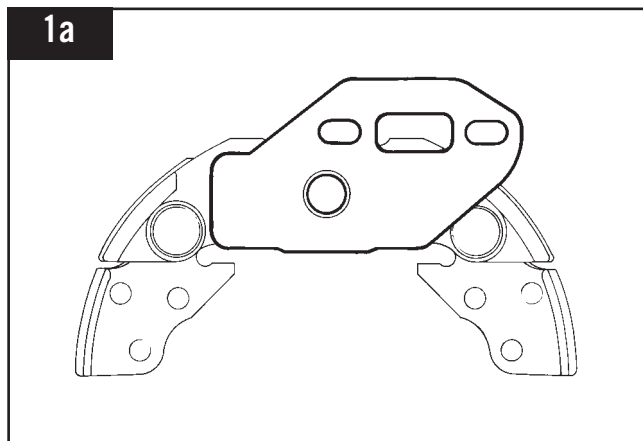
DX195 BRAKE ASSEMBLY



Item	Description	Part Number
1a	Brake assembly DX195 25, 33 & 51 (service exchange), LH	15224836SR
1b	Brake assembly DX195 26, 34 & 52 (service exchange), RH	15224837SR
2	Brake pad kit	MDP5076
3	Spring pad**	—
4	Retaining pin**	—
5	Split pin**	—
6	M16 x 45 Caliper mounting bolt	21224908
7	Hardened washer	21224978
8	Plug**	—
9	Retaining washer**	—
10	M16 x 45 Caliper flanged mounting bolt – replaces items 6 & 7 from July 2001	21227146
11	Stabiliser bar	2297J6692
12	Disc brake adjuster kit, LH (not shown)	MCK1290
13	Disc brake adjuster kit, RH (not shown)	MCK1291
14	Disc brake adjuster sleeve & thrust plate kit, LH (not shown)	MCK1292
15	Disc brake adjuster sleeve & thrust plate kit, RH (not shown)	MCK1293
16	Pad fitting kit (not shown)	MBA100
17	Pad wear indicator kit (not shown)	MBA1050
18	Guide pin & seal kit (not shown)	MCK1171
19	Eccentric shaft seal kit (not shown)	MCK1168
20	Seal kit (not shown)	MCK1192

** All contained in service kit AXL 140

* Brake Assembly Rear View



DX195 Caliper Part Number Cross Reference

Caliper	Part Number
DX195-45 with 90mm lever & pads	15224836SR (no pads/levers)
DX195-46 with 90mm lever & pads	15224837SR (no pads/levers)
DX195-47 with 80mm lever & pads	15224836SR (no pads/levers)
DX195-48 with 80mm lever & pads	15224837SR (no pads/levers)
DX195-51 (Aftermarket part numbers) – replaces DX195-33	15224836SR (no pads/levers)
DX195-52 (Aftermarket part numbers) – replaces DX195-34	15224837SR (no pads/levers)

1
LM & LC

2
TA & TC

3
TE

4
TM

5
STEERING
AXLES

6
FLEXAIR
FLEXLITE

7
INDAIR

8
SMT

9
AXL KITS

LM & LC PARTS LIST

DX195 ACTUATION AND AIR CHAMBERS

1
LM & LC

2
TA & TC

3
TE

4
TM

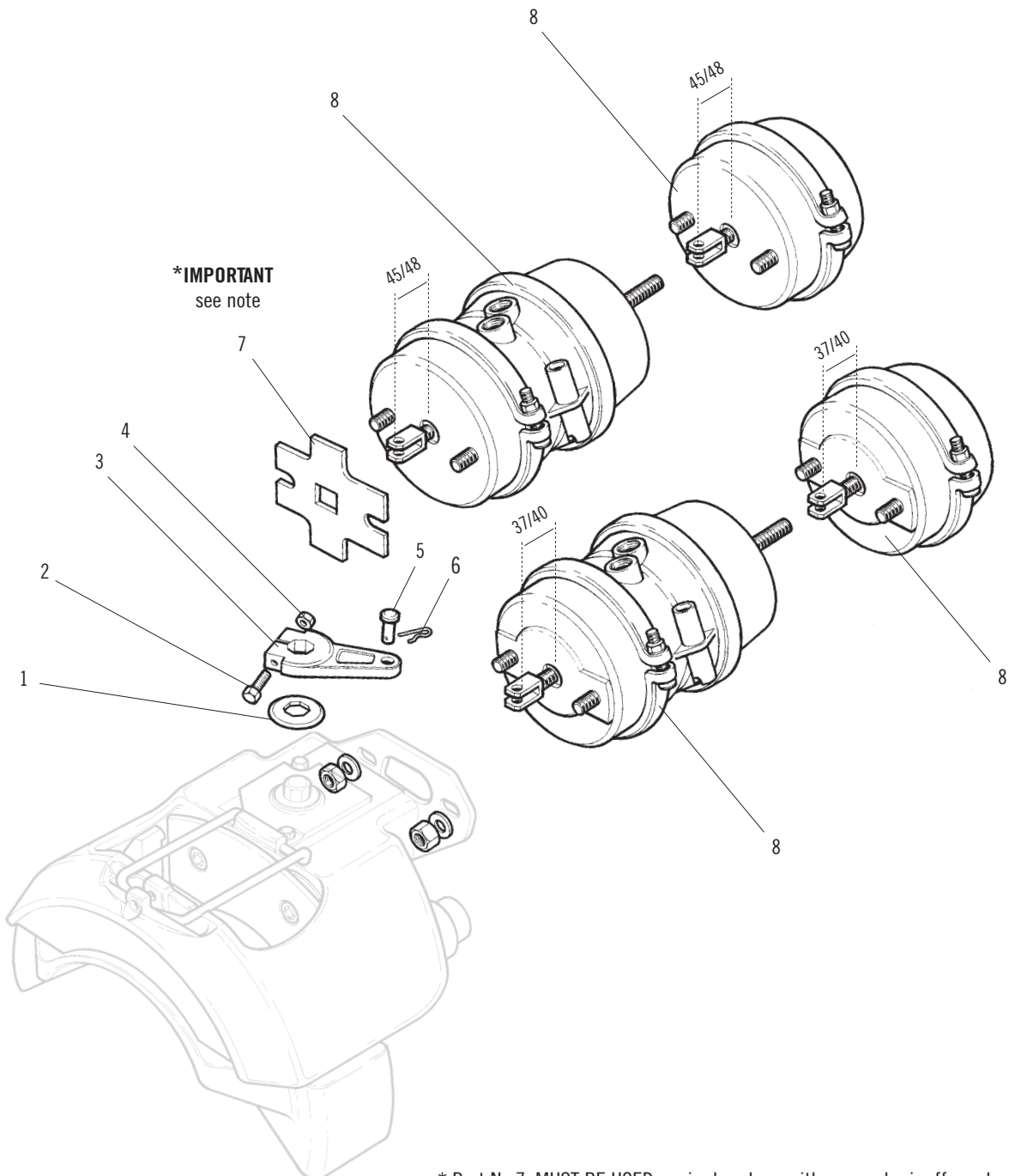
5
STEERING
AXLES

6
FLEXAIR
FLEXLITE

7
INDAI

8
SMT

9
AXL KITS



* Part No.7. MUST BE USED on air chambers with a caged, air off, push rod length of 45/48mm, measured from the mounting face of the chamber to the centre of the clevis pin hole.

Later models of brake chamber with 37/40mm pushrod length have a formed front housing and MUST NOT be fitted with the spacer plate

LM & LC PARTS LIST

DX195 ACTUATION AND AIR CHAMBERS



Item	Description	Part Number	
1	Lever boot	1205X2572	
2	Clamp bolt M8 x 60	MS208060Z1	
3	Lever 80mm	MCK1160	
3	Lever 90mm	MCK1161	
4	Nut M8	MNL208Z1	
5	Clevis pin	21224985	
6	R-Clip	21224996	
Item	Description	Part Number 45/48mm	Part Number 37/40mm
7*	Spacer plate	21224995	None
8	T 24/24	41225763	41225763**
8	T 22/24	41225764	41225764
8	T 20/24	41225765	41225765
8	T 18/24	41225766	41225766
8	T 24	41225767	41225767
8	T 22	41225768	41225768
8	T 20	41225769	41225769
8	T 18	41224964	41225770

* Part No.7. Must be used on air chambers with a caged, air off, push rod length of 45/48mm. It must never be used on chambers with a caged push rod length of 37/40mm.

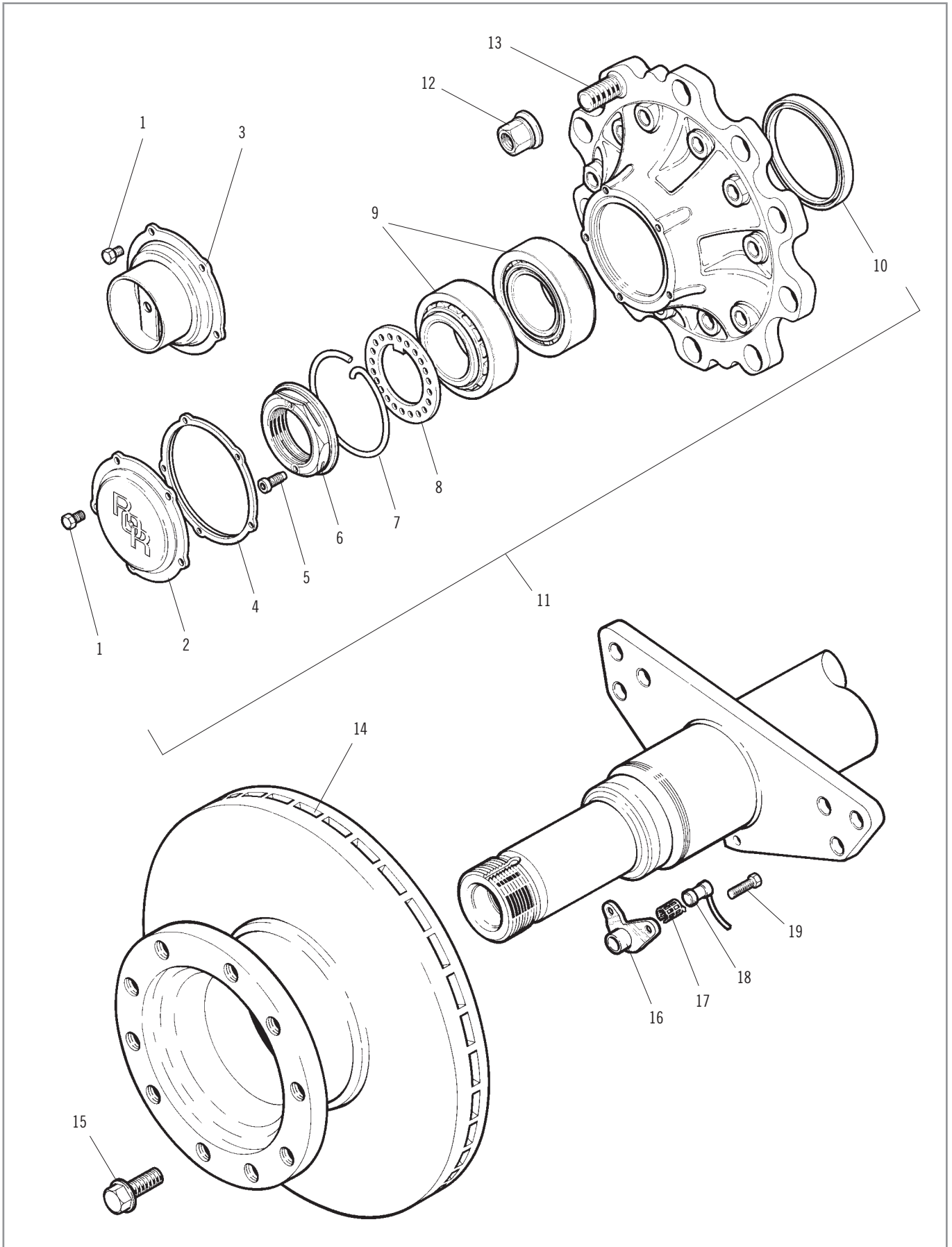
** In tandem applications the following chambers are used: 41227590 (RH) – 41227591(LH)

- 1**
LM & LC
- 2**
TA & TC
- 3**
TE
- 4**
TM
- 5**
STEERING AXLES
- 6**
FLEXAIR FLEXLITE
- 7**
INDAIR
- 8**
SMT
- 9**
AXL KITS

LM & LC PARTS LIST

LM/LC ELSA 2 HUB, DISC AND ABS ASSEMBLY

- 1 LM & LC
- 2 TA & TC
- 3 TE
- 4 TM
- 5 STEERING AXLES
- 6 FLEXAIR FLEXLITE
- 7 INDAL
- 8 SMT
- 9 AXL KITS



LM & LC PARTS LIST

LM/LC ELSA 2 HUB, DISC AND ABS ASSEMBLY



Item	Description	Part Number
1	Screw, hub cap	99543001
2	Hub cap	21224673
3	Hub cap – hubodometer	21224904
4	Gasket, hub cap	21224759
5	Screw, pinch nut	21224864
6	Pinch nut	21224762
7	Retaining clip	21224865PK5
8	Retaining washer	21224669
9	Bearings	99041075
10	Oil seal	21200321A
11	LM Hub assembly*	14225425
11A	LM Hub assembly – offset (not shown)*	14227483
11B	LC Hub assembly (not shown)**	–
12	Wheel nut	21226396
13	Wheel bolt, steel wheel	21225086
13	Wheel bolt, aluminium wheel	21220132
13	Wheel bolt, universal steel/aluminium wheel, coated (use with dacromat wheel nut)	21226340
14	Brake disc	MBR9004
15	M16 x 60 Brake disc flanged mounting bolt	21227263
16	Sensor block	21227415
17	Spring clip	21213036
18	Sensor	21213034
19	Screw, sensor bracket	99543002

* Does not include items 5 or 6

** see page 17 for LC hub parts

1
LM & LC

2
TA & TC

3
TE

4
TM

5
STEERING
AXLES

6
FLEXAIR
FLEXLITE

7
INDAIR

8
SMT

9
AXL KITS

LM & LC PARTS LIST

ELSA 2 BRAKE ASSEMBLY



Item	Description	Part Number
1	Service caliper, RH	LRG572
1	Service caliper, LH	LRG573
3a-3d	Carrier kit	MCK1146
4a-4c	Brake pad kit	MDP5073
5a-5b	Pad retainer kit	MCK1174
6a-6j	Guide pin kit*	MCK1140
8	Tappet head kit*	MCK1139
10	Actuator seal	68323746PK10
11	Adjuster stem dust cover	68322655PK10
12	M18 x 50 Caliper flanged mounting bolt (not shown)	21227433

* includes grease (not shown)

1
LM & LC

2
TA & TC

3
TE

4
TM

5
STEERING
AXLES

6
FLEXAIR
FLEXLITE

7
INDAIR

8
SMT

9
AXL KITS

LM & LC PARTS LIST

ELSA 2 AIR CHAMBER ASSEMBLY

1

LM & LC

2

TA & TC

3

TE

4

TM

5

STEERING
AXLES

6

FLEXAIR
FLEXLITE

7

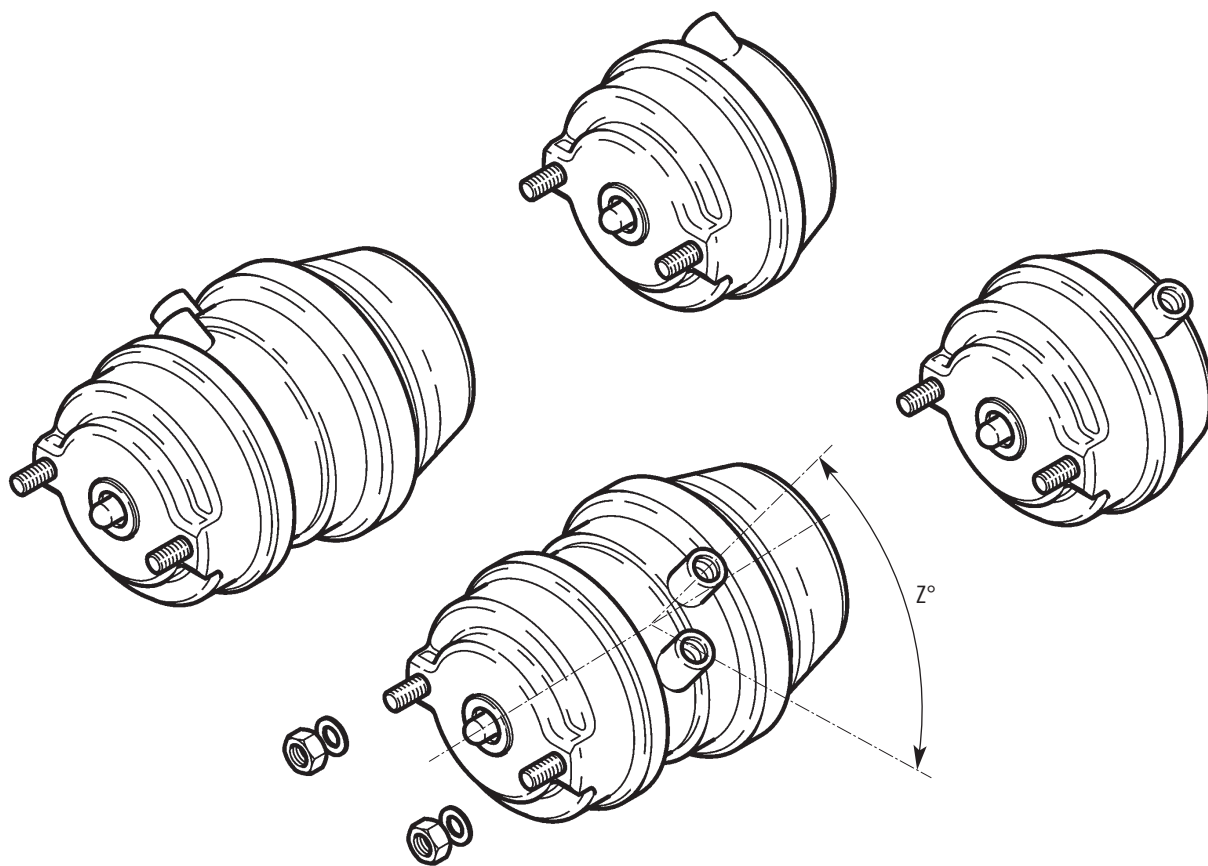
INDAI

8

SMT

9

AXL KITS



LM & LC PARTS LIST

ELSA 2 AIR CHAMBER ASSEMBLY



Air chamber Type	Port orientation (angle Z°)	
	45°	135°
T14	41227562	41227563
T16	41227564	41227565
T18	41227865	41227866
T20	41228284	41228285
T27	41227576	41227577
T14/24	41227566	41227567
T16/24	41227568	41227569
T18/24	41227570	41227571
T20/24	41227572	41227573
T22/24	41227574	41227575
T24/24	41227867	41227868
T27/30	41228528	41228529

1
LM & LC

2
TA & TC

3
TE

4
TM

5
STEERING AXLES

6
FLEXAIR FLEXLITE

7
INDAIR

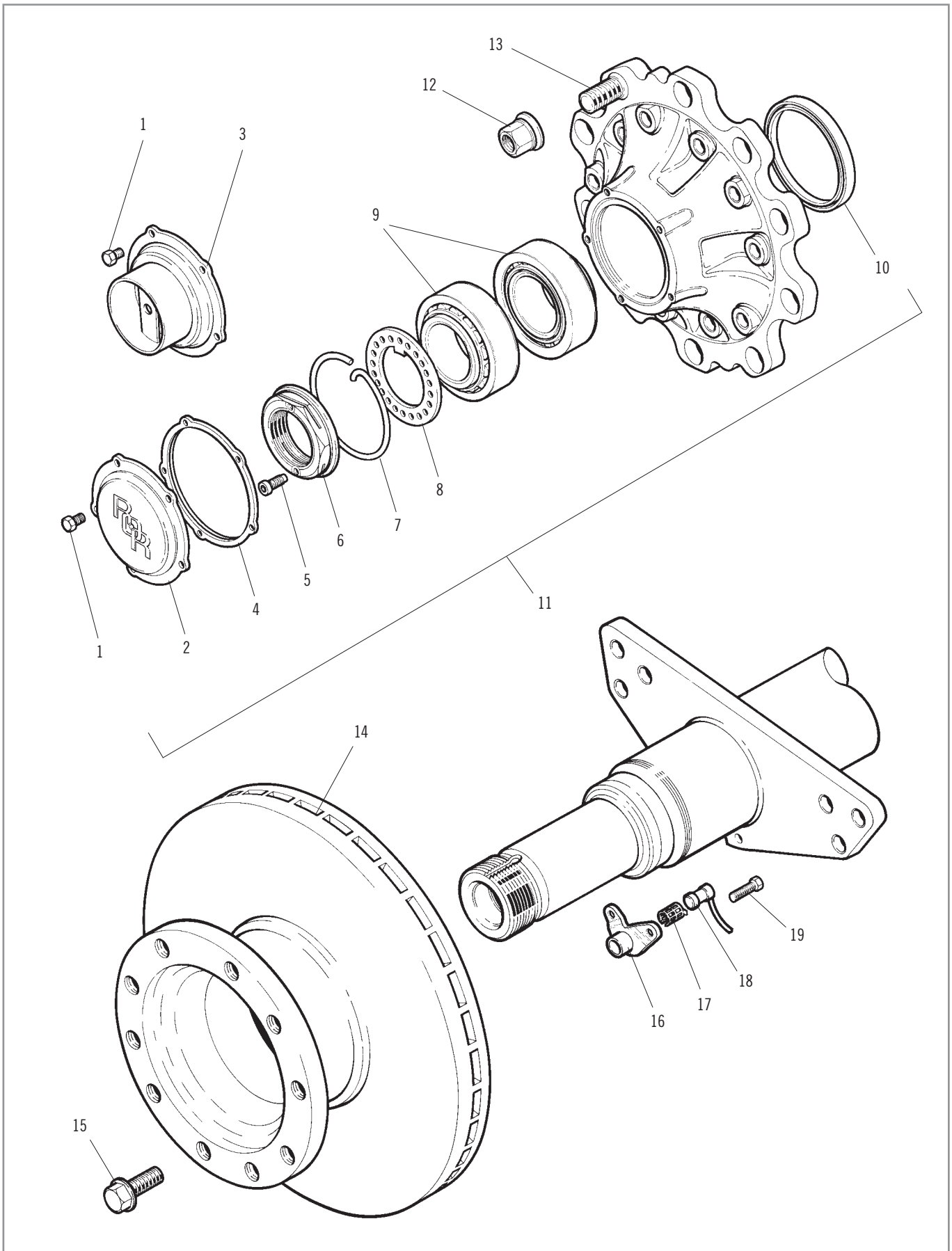
8
SMT

9
AXL KITS

LM & LC PARTS LIST

LM/LC ELSA 195 HUB, DISC AND ABS ASSEMBLY

- 1 LM & LC
- 2 TA & TC
- 3 TE
- 4 TM
- 5 STEERING AXLES
- 6 FLEXAIR FLEXLITE
- 7 INDAL
- 8 SMT
- 9 AXL KITS



LM & LC PARTS LIST

LM/LC ELSA 195 HUB, DISC AND ABS ASSEMBLY



Item	Description	Part Number
1	Screw, hub cap	99543001
2	Hub cap	21224673
3	Hub cap – hubodometer	21224904
4	Gasket, hub cap	21224759
5	Screw, pinch nut	21224864
6	Pinch nut	21224762
7	Retaining clip	21224865PK5
8	Retaining washer	21224669
9	Bearings	99041075
10	Oil seal	21200321A
11	LM Hub assembly*	14225425
11A	LC Hub assembly (not shown)**	–
12	Wheel nut	21226396
13	Wheel bolt, steel wheel	21225086
13	Wheel bolt, aluminium wheel	21220132
13	Wheel bolt, universal steel/aluminium wheel, coated (use with dacromat wheel nut)	21226340
14	Brake disc	21227349
14A	Brake disc – 8 stud, LC only (not shown)	MBR9014
15	M18 x 50 Brake disc flanged mounting bolt	21227433
16	Sensor block	21227927
17	Spring clip	21213036
18	Sensor	21213034
19	Screw, sensor bracket	99543002

* Does not include items 5 or 6

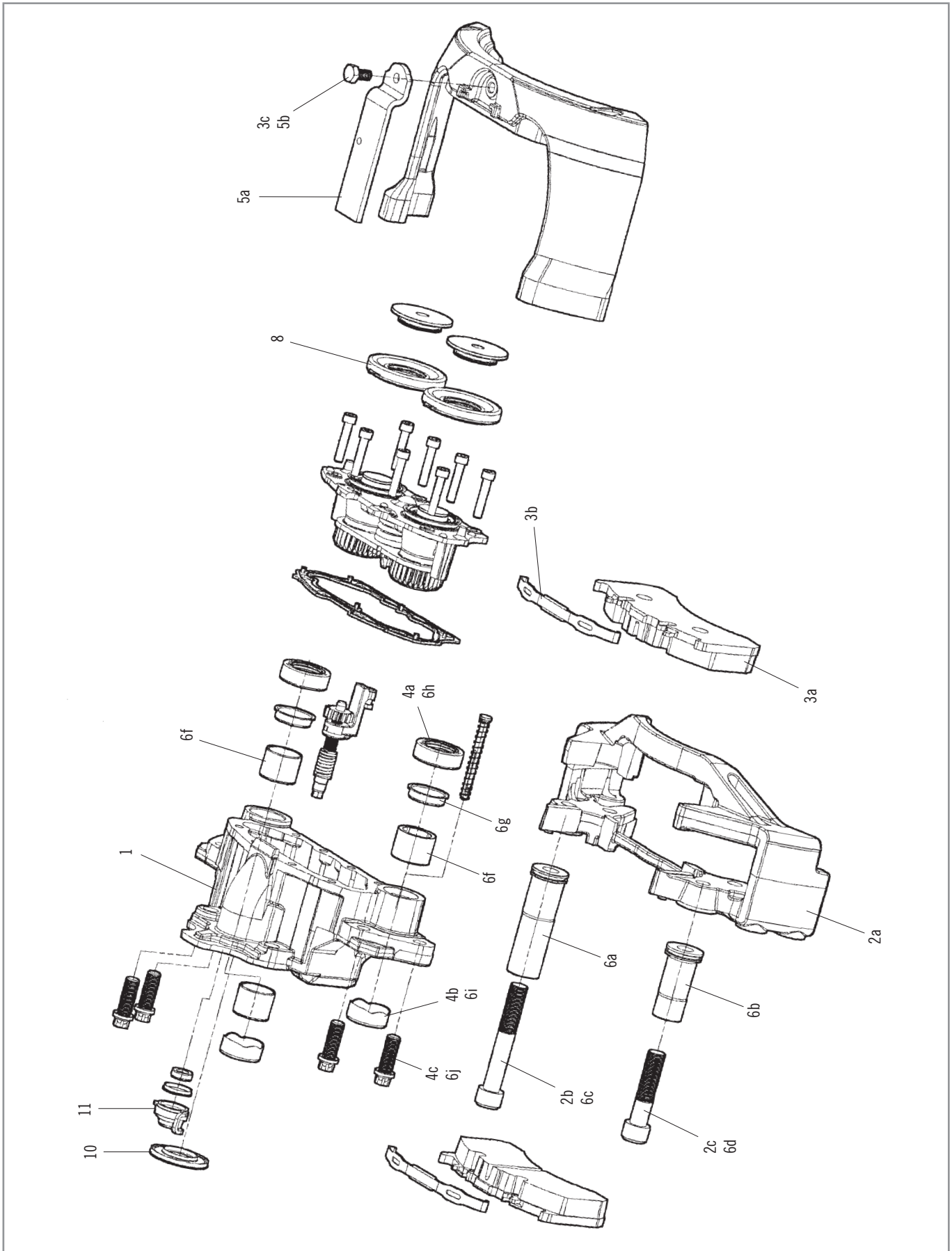
** see page 17 for LC hub parts

- 1**
LM & LC
- 2**
TA & TC
- 3**
TE
- 4**
TM
- 5**
STEERING AXLES
- 6**
FLEXAIR FLEXLITE
- 7**
INDAIR
- 8**
SMT
- 9**
AXL KITS

LM & LC PARTS LIST

ELSA 195 BRAKE ASSEMBLY

- 1
LM & LC
- 2
TA & TC
- 3
TE
- 4
TM
- 5
STEERING AXLES
- 6
FLEXAIR FLEXLITE
- 7
INDAI
- 8
SMT
- 9
AXL KITS



LM & LC PARTS LIST

ELSA 195 BRAKE ASSEMBLY



Item	Description	Part Number
1	Service caliper, RH	LRG702
1	Service caliper, LH	LRG703
2a-2c	Carrier kit	MCK1252
3a-3c	Brake pad kit	MDP5093
4a-4c	Seal kit*	MCK1253
5a-5b	Pad retainer kit	MCK1174
6a-6j	Guide pin kit*	MCK1254
8	Piston head seal kit*	MCK1139
9	Pad wear warning indicator kit (not shown)	MBAKIT1051
10	Actuator seal	68323746PK10
11	Adjuster stem dust cover	68322655PK10
12	M18 x 50 Caliper flanged mounting bolt (not shown)	21227433

* includes grease (not shown)

1
LM & LC

2
TA & TC

3
TE

4
TM

5
STEERING
AXLES

6
FLEXAIR
FLEXLITE

7
INDAIR

8
SMT

9
AXL KITS

LM & LC PARTS LIST

ELSA 195 AIR CHAMBER ASSEMBLY

1

LM & LC

2

TA & TC

3

TE

4

TM

5

STEERING
AXLES

6

FLEXAIR
FLEXLITE

7

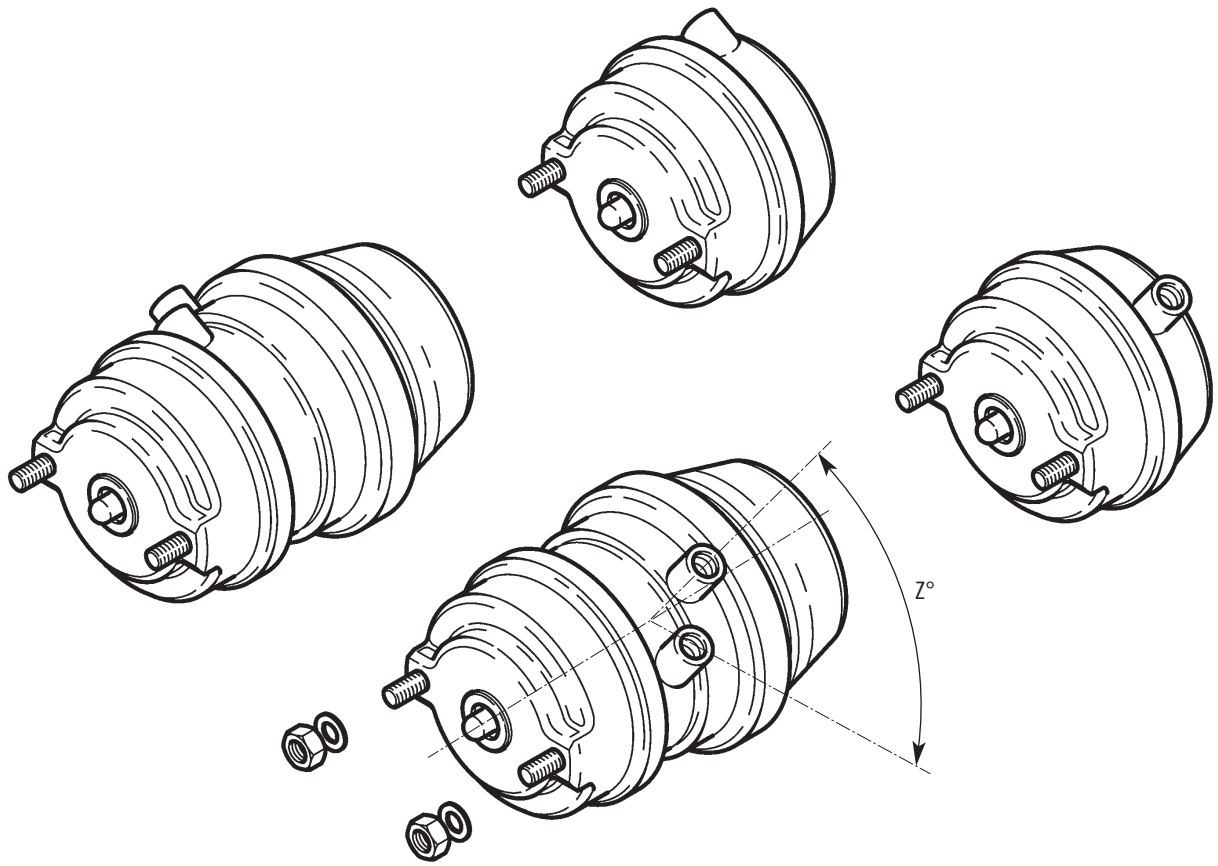
INDAI

8

SMT

9

AXL KITS



LM & LC PARTS LIST

ELSA 195 AIR CHAMBER ASSEMBLY



Air chamber Type	Port orientation (angle Z°)	
	45°	135°
T14	41226792	41226793
T16	41226798	41226799
T18	41226804	41226805
T20	41226808	41226809
T22	41229265	41229266
T24	41229269	41229270
T27	41226822	41226823
T14/16	41226794	41226795
T14/24	41226796	41226797
T16/16	41226800	41226801
T16/24	41226802	41226803
T18/24	41226806	41226807
T20/24	41226810	41226811
T22/24	41229267	41229268
T24/24	41229271	41229272
T24/30	41226820	41226821
T27/30	41226824	41226825
T30/30	41226826	41226827

- 1**
LM & LC
- 2**
TA & TC
- 3**
TE
- 4**
TM
- 5**
STEERING AXLES
- 6**
FLEXAIR FLEXLITE
- 7**
INDAIR
- 8**
SMT
- 9**
AXL KITS



1

LM & LC

2

TA & TC

3

TE

4

TM

5

STEERING
AXLES

6

FLEXAIR
FLEXLITE

7

INDAI

8

SMT

9

AXL KITS

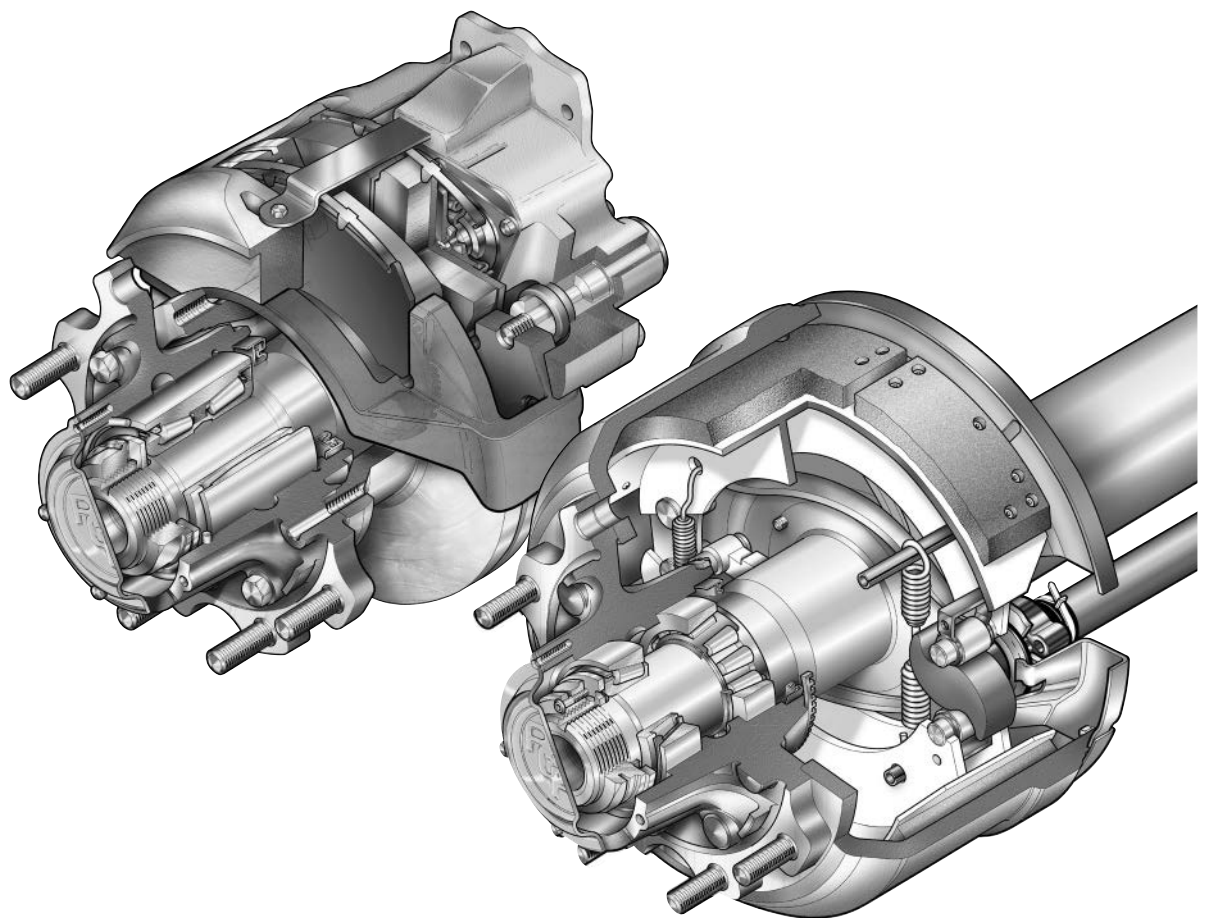




MERITOR TRAILER PRODUCTS AXLE & BRAKE PARTS LIST

TA AND TC SERIES AXLES

including disc and drum brake variants



1
LM & LC

2
TA & TC

3
TE

4
TM

5
STEERING
AXLES

6
FLEXAIR
FLEXLITE

7
INDAIR

8
SMT

9
AXL KITS

TA & TC PARTS LIST

TA/TC HUB ASSEMBLY

1
LM & LC

2
TA & TC

3
TE

4
TM

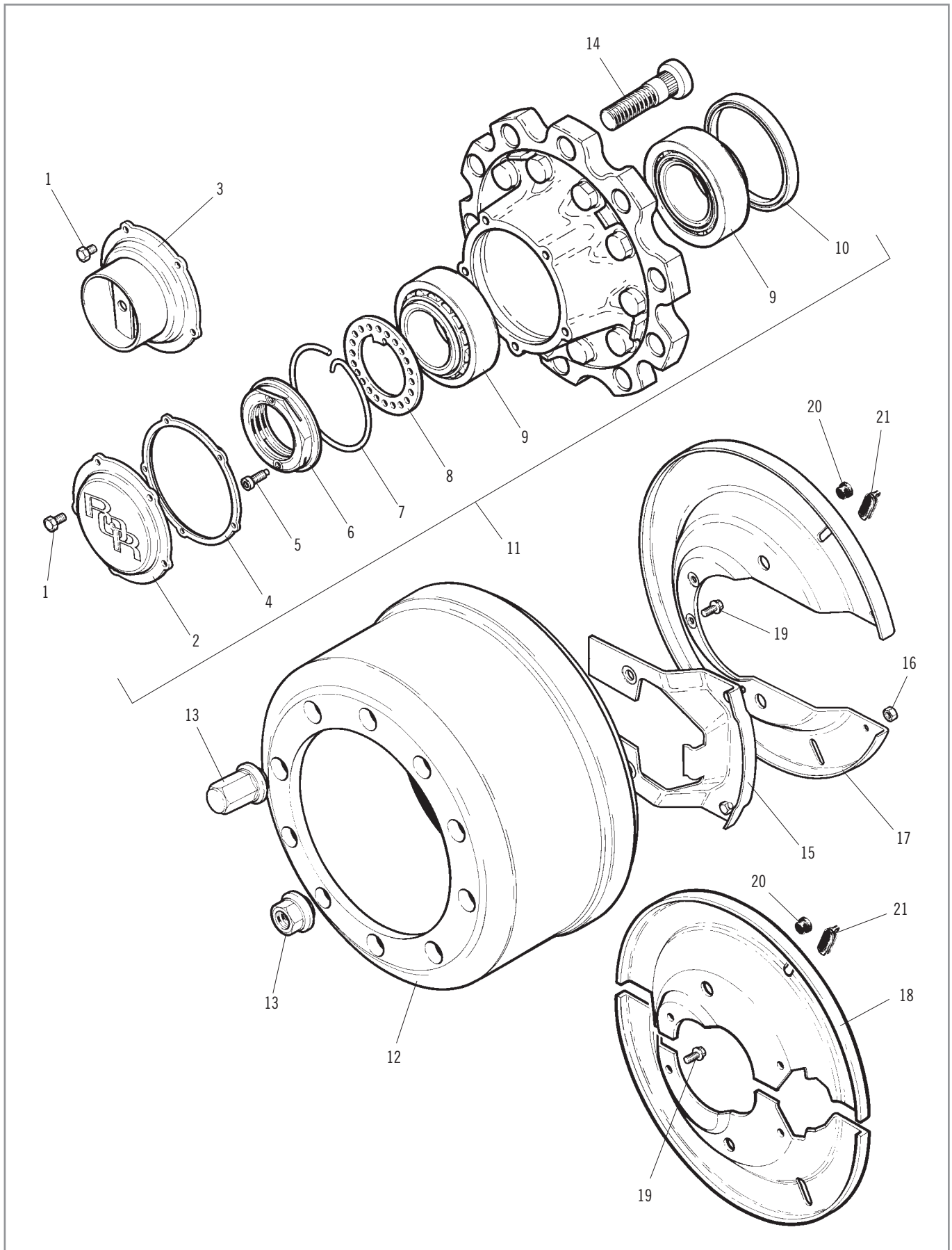
5
STEERING
AXLES

6
FLEXAIR
FLEXLITE

7
INDAI

8
SMT

9
AXL KITS



TA & TC PARTS LIST

TA/TC HUB ASSEMBLY



Item	Description	Part Number
1	Screw, hub cap	99543001
2	Hub cap	21226038
3	Hub cap – hubodometer	21226118
4	Gasket, hub cap	21226119
5	Screw, pinch nut	21224864
6	Pinch nut	21226003
7	Retaining clip	21226117PK5
8	Retaining washer	21226090
9	Bearing, inner & outer	99041035S
10	Oil seal	21200321A
11	TA Hub assembly, twin & single wheel	14226120
11A	TC Hub assembly (not shown)*	–
12	Brake drum, 420 x 180 'Q'	21018986V
12	Brake drum, 420 x 220 'Z'	21021114AV
13	Wheel nut	see table below
14	Wheel bolt, steel single wheel	21022167
14	Wheel bolt, steel twin wheel, aluminium single wheel	21020997
14	Wheel bolt, aluminium twin wheel	21206355
15	Filler plate, dust cover, 420 x 180 'Q' brake only	15224518
15	Filler plate, dust cover, 420 x 180 'Q' brake only, after April 2001	15225842
16	Nut, filler plate, dust cover, 420 x 180 'Q' brake only	99544000
17	Dust cover, 420 x 180 'Q' brake only	21224522
18	Dust cover pair, 420 x 220 'Z' brake only	21221567/8
19	Screw, dust cover, 'Q' & 'Z'	99546002
20	Plug, blanking, 'Q' & 'Z'	21211385
21	Plug, inspection, 'Q' & 'Z'	21220719
22	400g Cartridge MERITOR hub grease (not shown)	99538007
23	100g Tube Optimol Optimoly White Paste T (not shown)	99538009

*see page 49 for TC hub parts

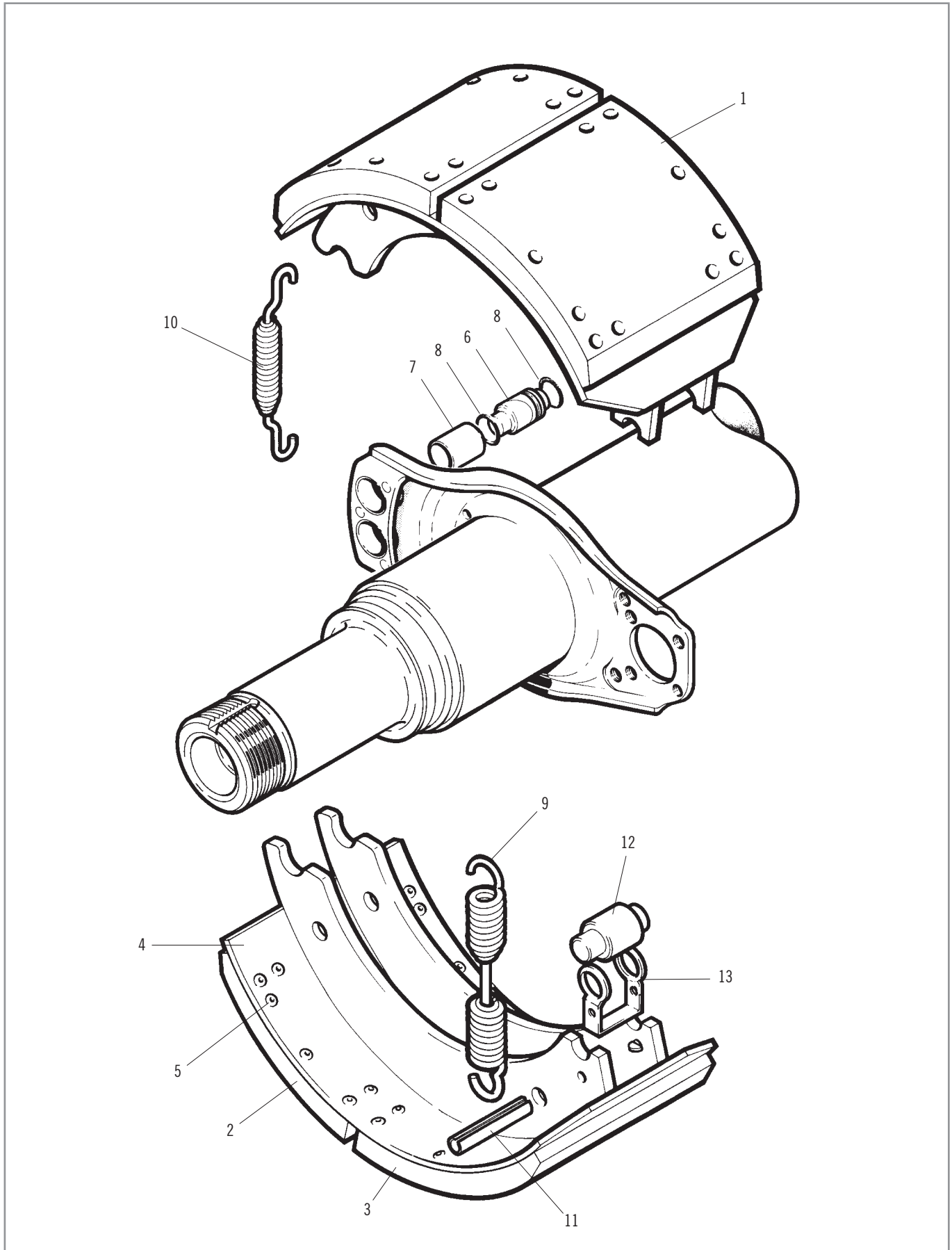
WHEEL NUTS 32mm ACROSS FLATS		
NEW PART NUMBER	TYPE	FINISH COATING
21226395	STANDARD OPEN	PHOSPHATE & OIL
21226396	STANDARD OPEN	DACROMET 500 & OIL
21226397	CLOSED END	PHOSPHATE & OIL
21226484	CLOSED END	DACROMET 500 & OIL

- 1 LM & LC
- 2 TA & TC
- 3 TE
- 4 TM
- 5 STEERING AXLES
- 6 FLEXAIR FLEXLITE
- 7 INDAIR
- 8 SMT
- 9 AXL KITS

TA & TC PARTS LIST

TA/TC BRAKE ASSEMBLY

- 1
LM & LC
- 2
TA & TC
- 3
TE
- 4
TM
- 5
STEERING AXLES
- 6
FLEXAIR FLEXLITE
- 7
INDAI
- 8
SMT
- 9
AXL KITS



TA & TC PARTS LIST

TA/TC BRAKE ASSEMBLY



Item	Description	'Q' 420 x 180	'Z' 420 x 220
1	Brake shoe lined assembly	15205536R	15205192R
2	Brake lining, anchor end	BLKQR	BLKZR
3	Brake lining, cam end		
4	Brake shoe unlined		
5	Rivet	15205533S	15205191S
6	Anchor pin	21200761	21200761
7	Bush, anchor pin	21205193G	21205193G
8	'O' ring, anchor pin	21221028	21221028
9	Release spring	21220668	21220668
10	Retainer spring	21221224PK10	21221224PK10
11	Pin	21205194PK100	21205194PK100
12	Cam roller	21220171PK20	21220171PK20
13	Roller retaining clip	21006610	21006610
		21224831PK50	21224831PK50

- 1 LM & LC
- 2 TA & TC
- 3 TE
- 4 TM
- 5 STEERING AXLES
- 6 FLEXAIR FLEXLITE
- 7 INDAIR
- 8 SMT
- 9 AXL KITS

TA & TC PARTS LIST

TA/TC CAMSHAFT ASSEMBLY

up to 31st March 2001

1
LM & LC

2
TA & TC

3
TE

4
TM

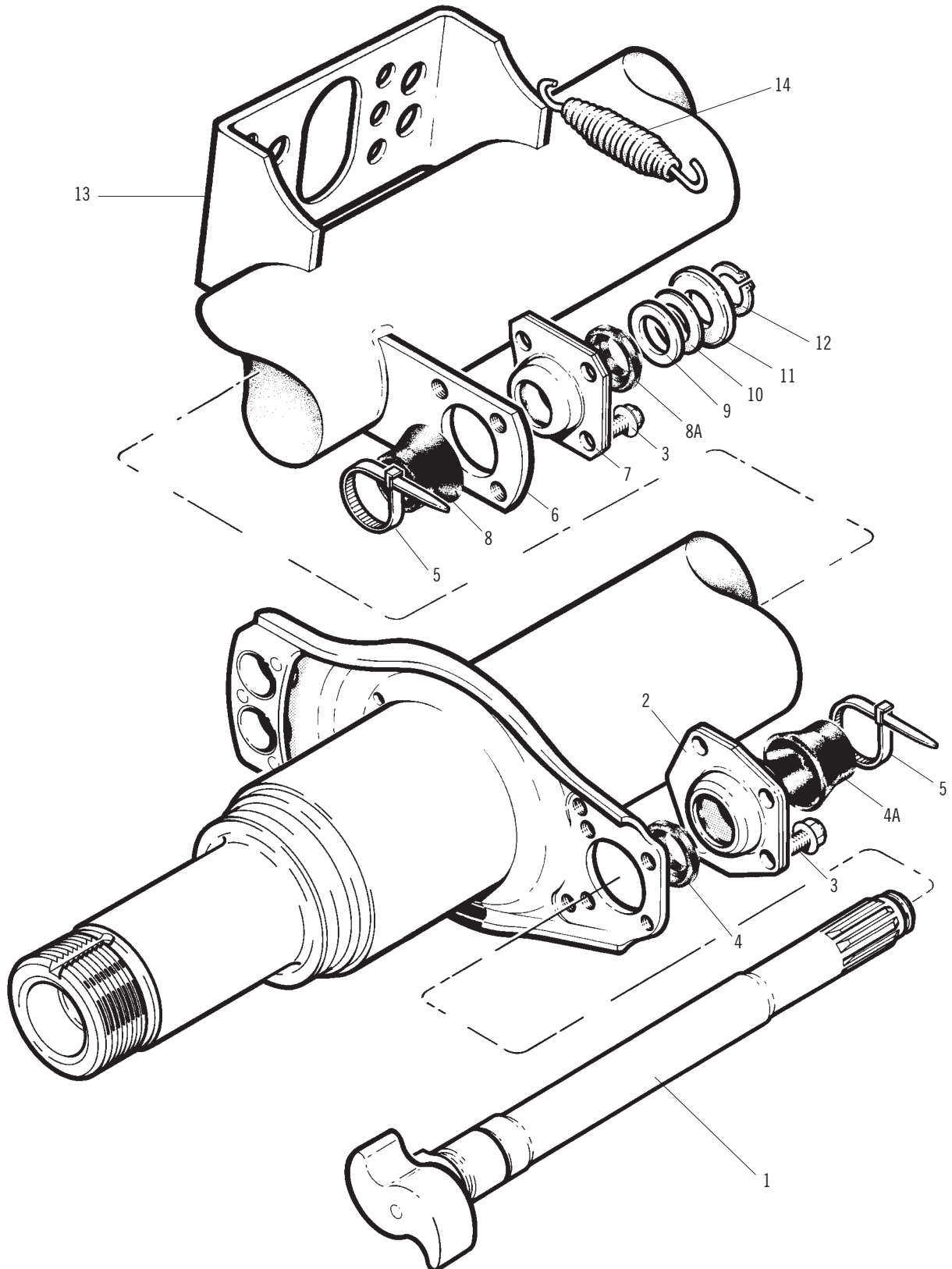
5
STEERING
AXLES

6
FLEXAIR
FLEXLITE

7
INDAI

8
SMT

9
AXL KITS



TA & TC PARTS LIST

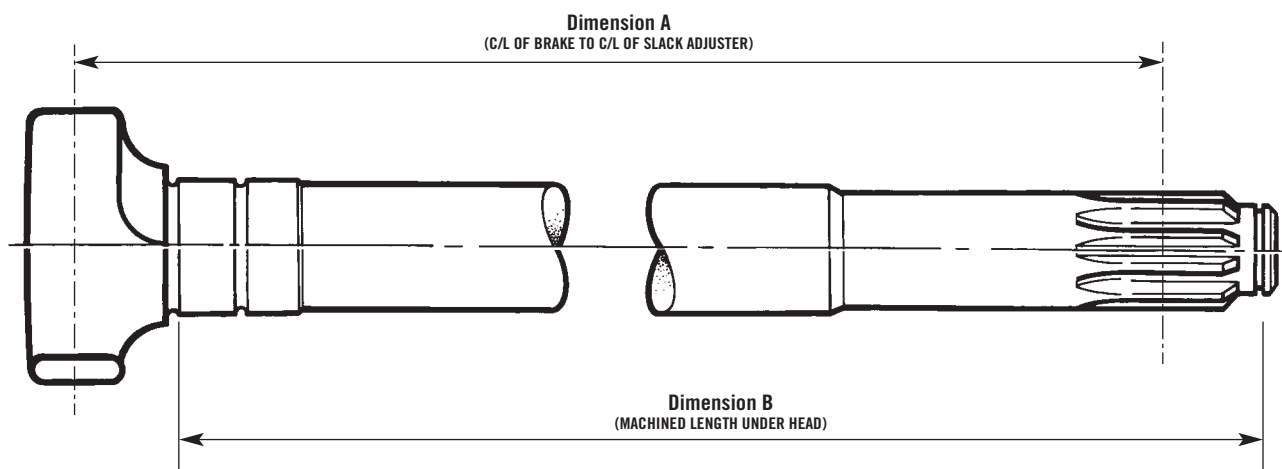
TA/TC CAMSHAFT ASSEMBLY

up to 31st March 2001



Item	Description	Part Number
1	Camshaft LH/RH	See table below
2	Cam head bearing assembly	15224821
3	Screw, bearing	99546002
4	Inner boot, cam end	21224729
4A	Outer boot, cam end	21224730
5	Tie wrap	21221065
6	Camshaft bracket (axles built after Sept '99)	21020300
7	Spline end bearing assembly	15213430
8	Inner boot, spline end	21204849
8A	Outer boot, spline end	21205667
9	Washer, spacing, thick	21006627
10	Washer, spacing, thin	21006662
11	Retaining washer	21219862
12	Circlip	99507030
13	Air chamber bracket	21201592
14	Assister spring	21210215PK10
*15	25g Sachet MERITOR grease (not shown)	99226786
*16	400g Cartridge MERITOR grease (not shown)	99226787

*NB. Items 15 & 16 must be used on items 2 & 7



Dimension 'A'	Dimension 'B'	Part Number	
		Right Hand	Left Hand
229.9	232.4	21223154	21223155
253.5	258.0	21222949	21222950
412.2	416.7	21222183	21222184
475.7	480.2	21222185	21222186
521.0	525.5	21221070S	21221071S
544.5	549.0	21222700	21222701
564.0	568.5	21222386	21222387
583.0	587.5	21221194S	21221195S
605.5	610.0	21222187	21222188
622.5	627.0	21222189	21222190
632.5	637.0	21222191	21222192

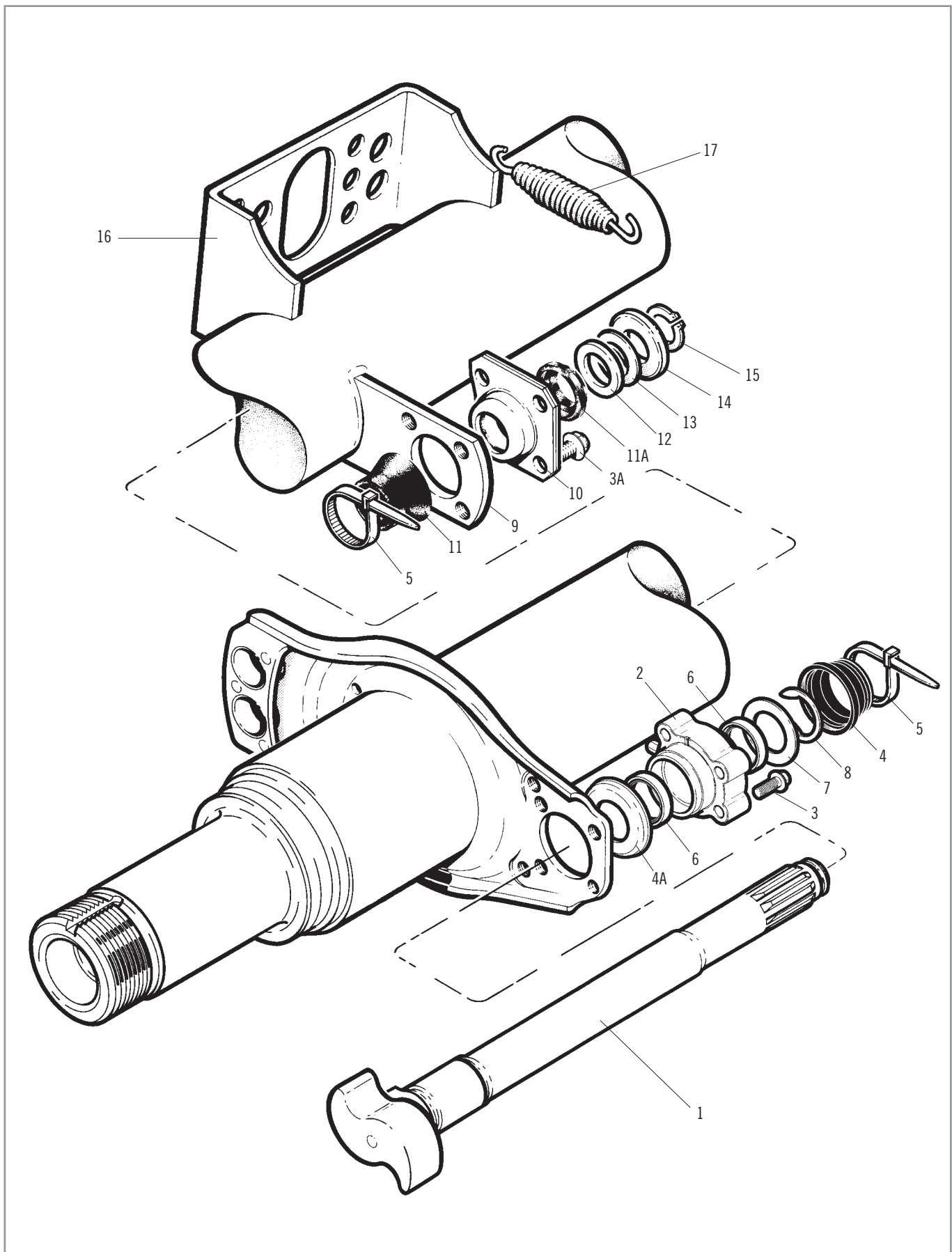
- 1 LM & LC
- 2 TA & TC
- 3 TE
- 4 TM
- 5 STEERING AXLES
- 6 FLEXAIR FLEXLITE
- 7 INDAIR
- 8 SMT
- 9 AXL KITS

TA & TC PARTS LIST

TA/TC CAMSHAFT ASSEMBLY

from 1st April 2001

- 1
LM & LC
- 2
TA & TC
- 3
TE
- 4
TM
- 5
STEERING AXLES
- 6
FLEXAIR FLEXLITE
- 7
INDAI
- 8
SMT
- 9
AXL KITS



TA & TC PARTS LIST

TA/TC CAMSHAFT ASSEMBLY

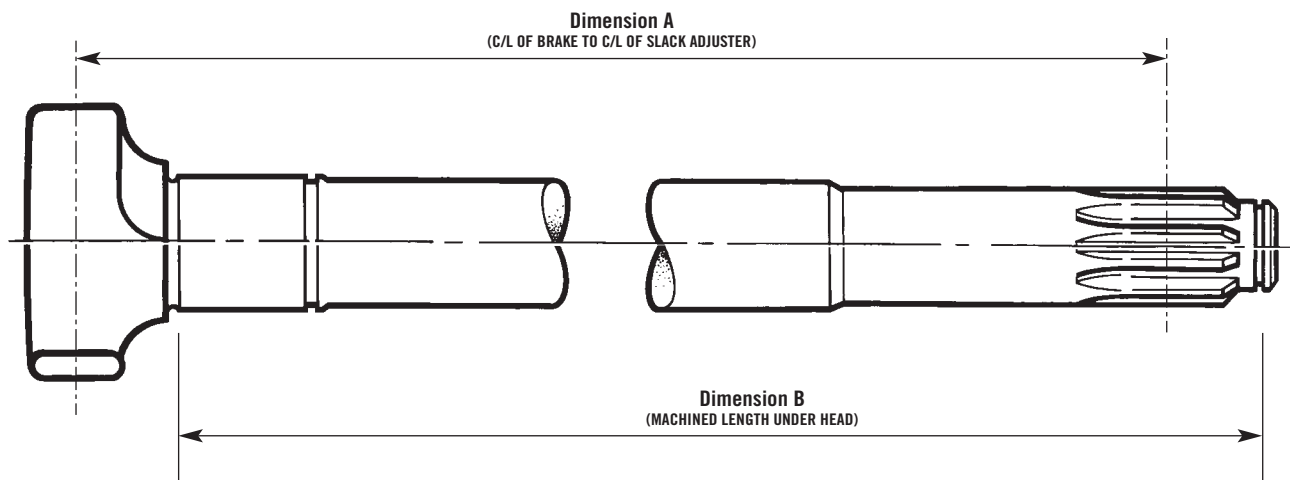
from 1st April 2001



Item	Description	Part Number
1	Camshaft LH/RH	See table below
2	Cam head bearing assembly**	A23105Q1213
3	Screw, bearing, cam end**	99546000
3A	Screw, bearing, spline end**	99546002
4	Washer seal**	1229K4795
4A	Boot, cam end**	2260K1155
5	Tie wrap**	21221065
6	Lip seal (part of item 2)	-
7	Washer**	1229S4101
8	Snap ring**	1229T4102
9	Camshaft bracket	21020300
10	Spline end bearing assembly**	15213430
11	Inner boot, spline end**	21204849
11A	Outer boot, spline end**	21205667
12	Washer, spacing, thick**	21006627
13	Washer, spacing, thin**	21006662
14	Retaining washer**	21219862
15	Circlip**	99507030
16	Air chamber bracket	21201592
17	Assister spring	21210215PK10
*18	25g Sachet MERITOR grease (not shown)	99226786
19	400g Cartridge MERITOR grease (not shown)	99226787

* NB. Items 18 & 19 must be used on items 2 & 10

** All contained in service kit AXL 140



Dimension 'A'	Dimension 'B'	Part Number	
		Right Hand	Left Hand
229.9	232.4	21227113	21227114
412.2	416.7	21227111	21227112
521.0	525.5	21227109	21227110
583.0	587.5	21227107	21227108
605.5	610.0	21227105	21227106
622.5	627.0	21227103	21227104
632.5	637.0	21227101	21227102

1
LM & LC

2
TA & TC

3
TE

4
TM

5
STEERING AXLES

6
FLEXAIR FLEXLITE

7
INDAIR

8
SMT

9
AXL KITS

TA & TC PARTS LIST

TA/TC ABS ASSEMBLY

1
LM & LC

2
TA & TC

3
TE

4
TM

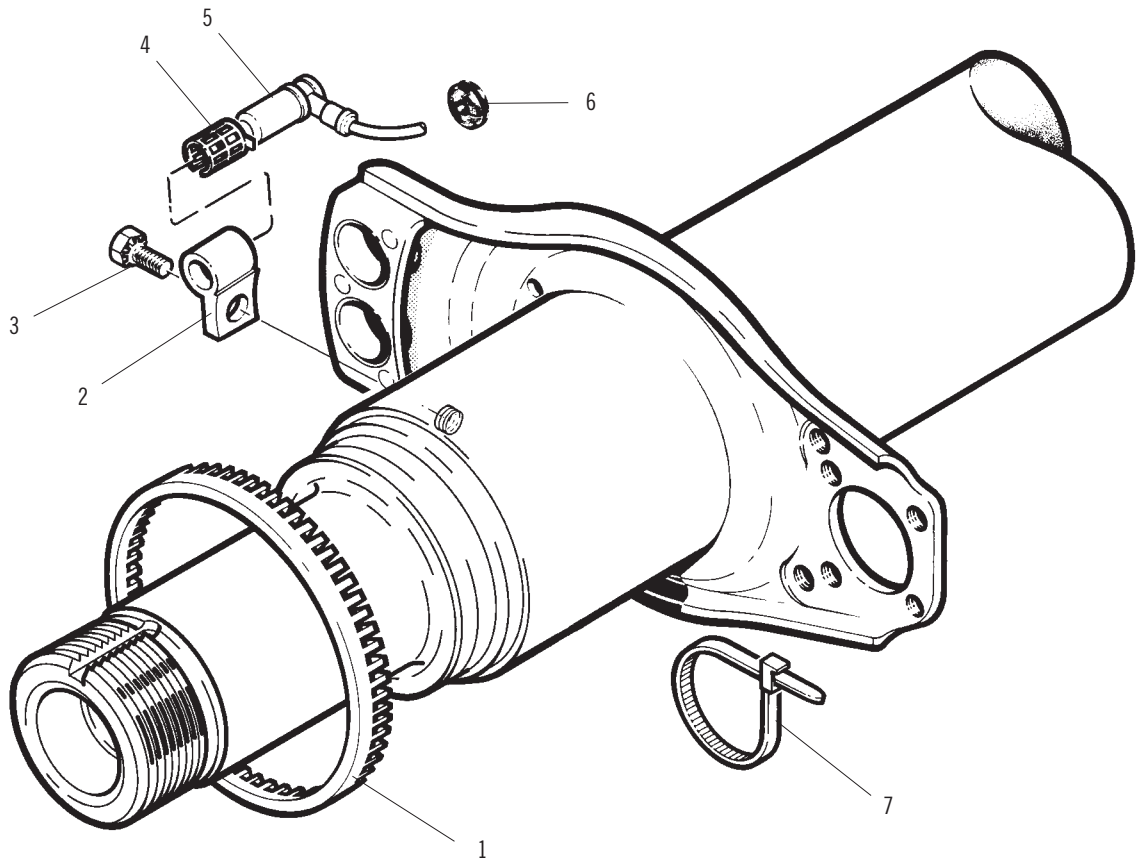
5
STEERING
AXLES

6
FLEXAIR
FLEXLITE

7
INDAI

8
SMT

9
AXL KITS



TA & TC PARTS LIST

TA/TC ABS ASSEMBLY



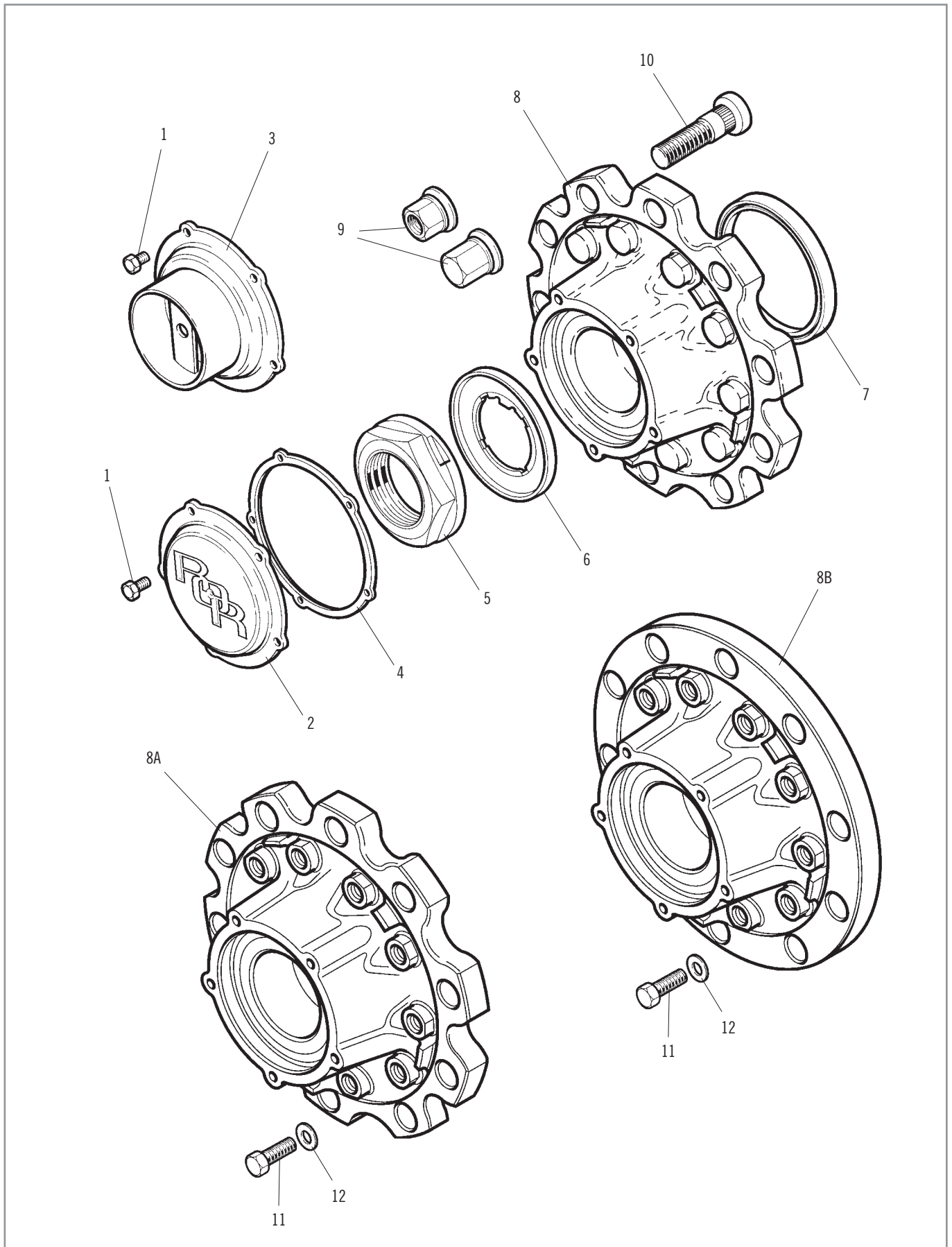
Item	Description	Part Number
1	Pole wheel	21213316
2	Sensor block	22224705
3	Screw, sensor block	99541002
4	Spring clip	21213036
5	Sensor	21213034
6	Strain relief bush	21222319
7	Cable tie	21221065
8	Grease for sensor bush (not shown)	99226786

- 1 LM & LC
- 2 TA & TC
- 3 TE
- 4 TM
- 5 STEERING AXLES
- 6 FLEXAIR FLEXLITE
- 7 INDAIR
- 8 SMT
- 9 AXL KITS

TA & TC PARTS LIST

TC HUB ASSEMBLY

- 1
LM & LC
- 2
TA & TC
- 3
TE
- 4
TM
- 5
STEERING AXLES
- 6
FLEXAIR FLEXLITE
- 7
INDAI
- 8
SMT
- 9
AXL KITS



TA & TC PARTS LIST

TC HUB ASSEMBLY



Item	Description	Part Number
1	Screw, hub cap	99543001
2	Hub cap	21226038
3	Hub cap, hubodometer	21226118
4	Gasket, hub cap	21226119
5	Axle end nut	21226032
6	Stake washer assembly	21226088
7	Auxiliary oil seal	21200321A
8	TC Hub assembly, drum brake, single & twin wheel	14226122
8A	TC Hub assembly, disc brake, twin wheel only	14226123
8B	TC Hub assembly, disc brake, single wheel only	14226493
9	Wheel nut	see table below
10	Wheel bolt, steel single & twin wheel	21226340
10	Wheel bolt, aluminium, single wheel	21226478
10	Wheel bolt, aluminium, twin wheel	21226479
11	M16 x 65 Disc mounting bolt	21225100
12	Hardened washer	21224978

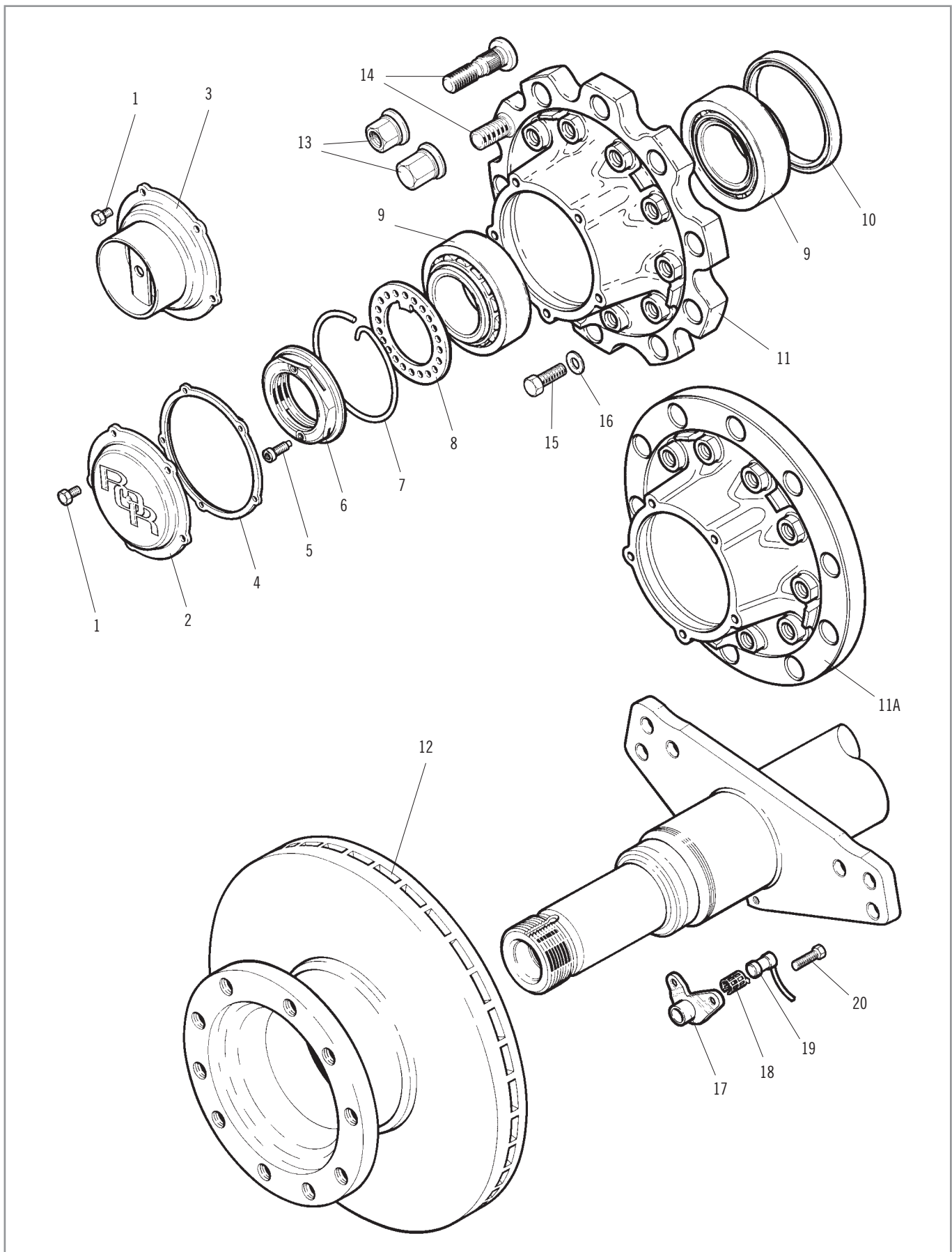
WHEEL NUTS 32mm ACROSS FLATS		
NEW PART NUMBER	TYPE	FINISH COATING
21226395	STANDARD OPEN	PHOSPHATE & OIL
21226396	STANDARD OPEN	DACROMET 500 & OIL
21226397	CLOSED END	PHOSPHATE & OIL
21226484	CLOSED END	DACROMET 500 & OIL

- 1 LM & LC
- 2 TA & TC
- 3 TE
- 4 TM
- 5 STEERING AXLES
- 6 FLEXAIR FLEXLITE
- 7 INDAIR
- 8 SMT
- 9 AXL KITS

TA & TC PARTS LIST

TA/TC D DUCO HUB, DISC AND ABS ASSEMBLY

- 1
LM & LC
- 2
TA & TC
- 3
TE
- 4
TM
- 5
STEERING AXLES
- 6
FLEXAIR FLEXLITE
- 7
INDAI
- 8
SMT
- 9
AXL KITS



TA & TC PARTS LIST

TA/TC D DUCO HUB, DISC AND ABS ASSEMBLY



Item	Description	Part Number
1	Screw, hub cap	99543001
2	Hub cap	21226038
3	Hub cap, hubodometer	21226118
4	Gasket, hub cap	21226119
5	Screw, pinch nut	21224864
6	Pinch nut	21226003
7	Retaining clip	21226117PK5
8	Retaining washer	21226090
9	Bearing, inner & outer	99041035S
10	Oil seal	21200321A
11	TA Hub assembly, disc brake, twin wheel only	14226121
11A	TA Hub assembly, disc brake, single wheel only	14226492
11B	TC Hub assembly, disc brake (not shown)*	—
12	Brake disc	MBR9004
13	Wheel nut	see table below
14	Wheel bolt, steel single & twin wheel	21226340
14	Wheel bolt, aluminium, single wheel	21226478
14	Wheel bolt, aluminium, twin wheel	21226479
15	M16 x 65 Disc mounting bolt	21225100
16	Hardened washer	21224978
17	Sensor block	21227415
18	Spring clip	21213036
19	Sensor	21213034
20	Screw, sensor block	99543002

*see page 49 for TC hub parts

WHEEL NUTS 32mm ACROSS FLATS		
NEW PART NUMBER	TYPE	FINISH COATING
21226395	STANDARD OPEN	PHOSPHATE & OIL
21226396	STANDARD OPEN	DACROMET 500 & OIL
21226397	CLOSED END	PHOSPHATE & OIL
21226484	CLOSED END	DACROMET 500 & OIL

- 1 LM & LC
- 2 TA & TC
- 3 TE
- 4 TM
- 5 STEERING AXLES
- 6 FLEXAIR FLEXLITE
- 7 INDAIR
- 8 SMT
- 9 AXL KITS

TA & TC PARTS LIST

D DUCO BRAKE ASSEMBLY

1
LM & LC

2
TA & TC

3
TE

4
TM

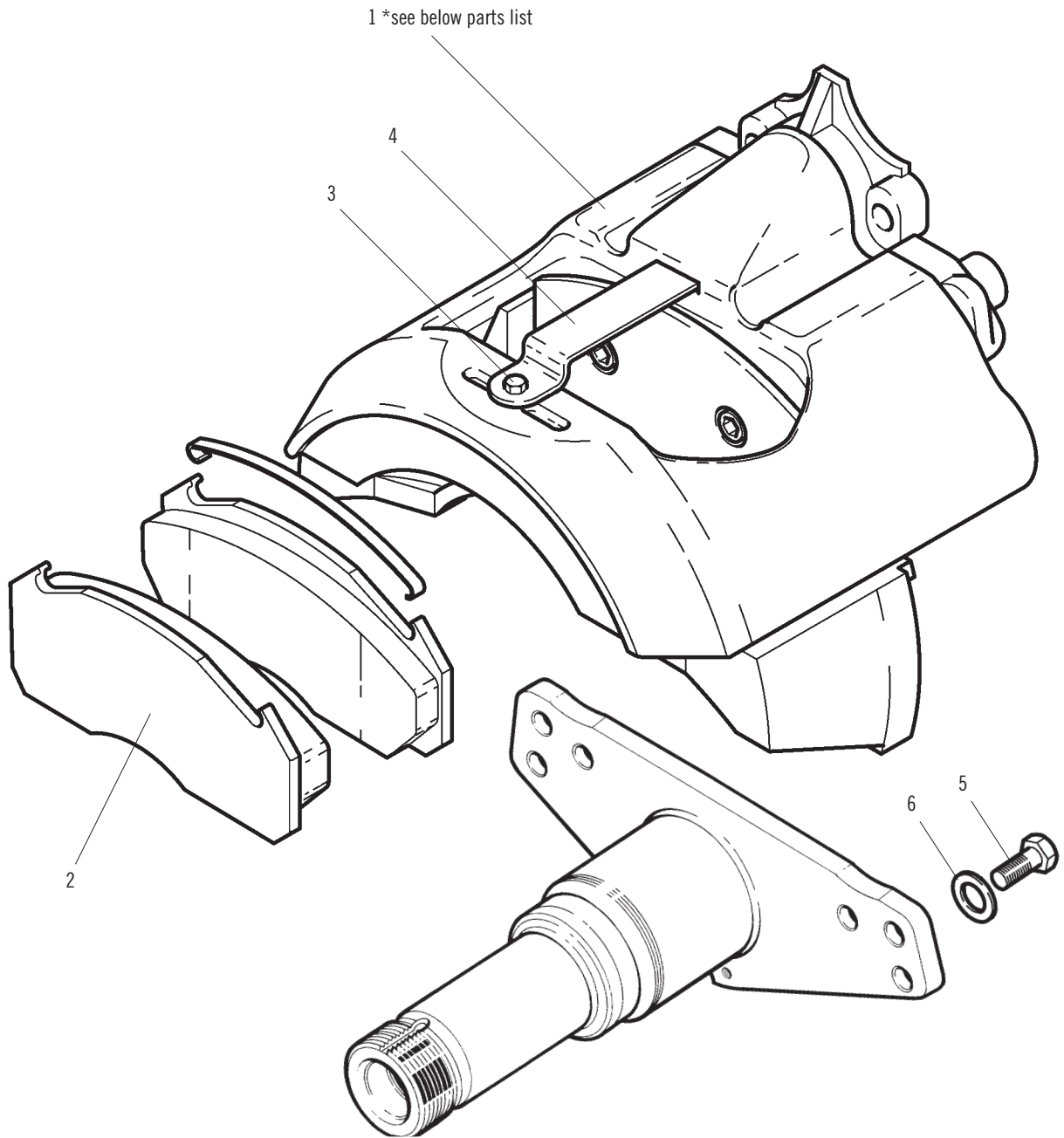
5
STEERING
AXLES

6
FLEXAIR
FLEXLITE

7
INDAI

8
SMT

9
AXL KITS



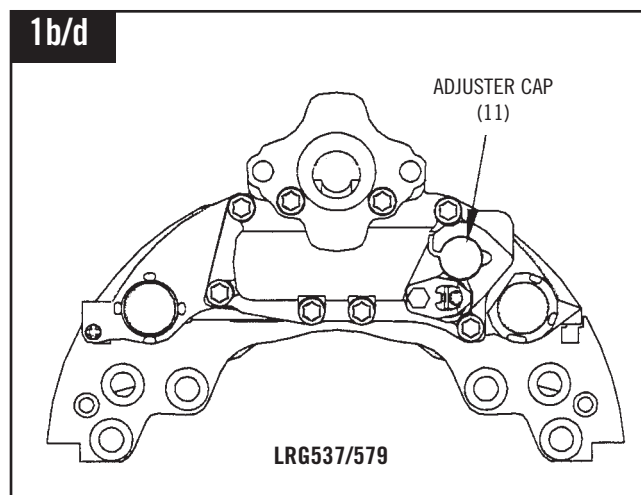
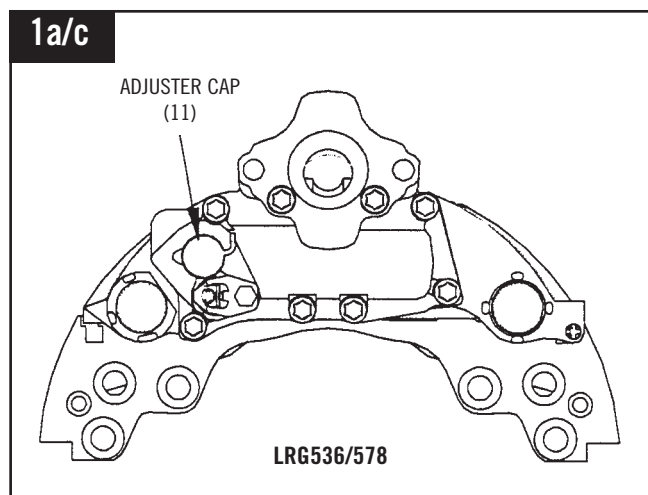
TA & TC PARTS LIST

D DUCO BRAKE ASSEMBLY



Item	Description	Part Number
1a	Brake assembly D Duco, 20mm fixing (68033116/68324518/68032959)*	LRG536
1b	Brake assembly D Duco, 20mm fixing (68033117/68324519/68032960)*	LRG537
1c	Brake assembly D Duco, 18mm fixing (68033331/68324553)*	LRG578
1d	Brake assembly D Duco, 18mm fixing (68033332/68324554)*	LRG579
2	Disc pad kit (complete with springs and pad retaining bolt)	MDP5057
3	Pad retaining bolt	68130034
4	Pad retaining plate	68322265
5	M20 x 50 Caliper mounting bolt	21226651
5	M18 x 50 Caliper flanged mounting bolt	21227433
6	Hardened washer	21226568
7	Guide pin dust cover kit (not shown)	MCK1065
8	Tappet head kit (not shown)	MCK1238
9	Guide pin bolt kit (not shown)	MCK1066
10	Tappet dust cover (not shown)	68324854
11	Adjuster stem dust cover	68322655
12a	Guide pin kit (caliper no. 68032959/60) (not shown)	MCK1134
12b	Guide pin kit (caliper no. 68033116/7) (not shown)	MCK1116

* Brake Assembly Rear View – for identification



- 1 LM & LC
- 2 TA & TC
- 3 TE
- 4 TM
- 5 STEERING AXLES
- 6 FLEXAIR FLEXLITE
- 7 INDAIR
- 8 SMT
- 9 AXL KITS

TA & TC PARTS LIST

D DUCO AIR CHAMBER ASSEMBLY

1

LM & LC

2

TA & TC

3

TE

4

TM

5

STEERING
AXLES

6

FLEXAIR
FLEXLITE

7

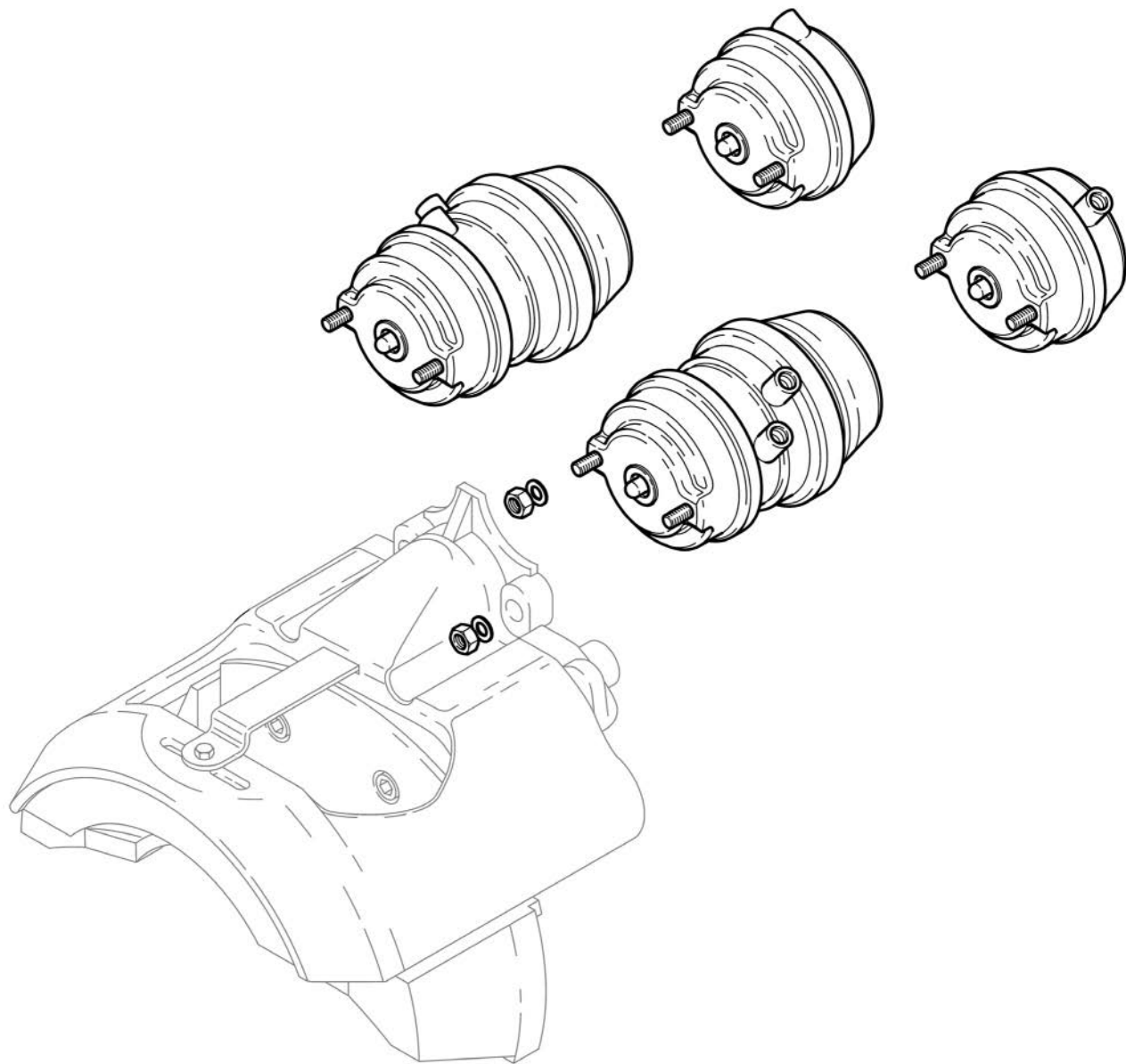
INDAI

8

SMT

9

AXL KITS



TA & TC PARTS LIST

D DUCO AIR CHAMBER ASSEMBLY



Underslung Suspensions

FL11000

Chamber Size	Left Hand Side of Axle		Right Hand Side of Axle	
	Chamber Part No.	Caliper Part No.	Chamber Part No.	Caliper Part No.
14 Service	41226793	68032959	41226792	68032960
14/16	41226795	68032959	41226794	68032960
14/24	41226797	68032959	41226796	68032960
16 Service	41226799	68032959	41226798	68032960
16/16	41226801	68032959	41226800	68032960
16/24	41226803	68032959	41226802	68032960
18 Service	41226805	68032959	41226804	68032960
18/24	41226807	68032959	41226806	68032960
20 Service	41226809	68032959	41226808	68032960
20/24	41226811	68032959	41226810	68032960
22 Service	41229266	68032959	41229265	68032960
22/24	41229268	68032959	41229267	68032960
24 Service	41229270	68032959	41229269	68032960
24/24	41229272	68032959	41229271	68032960
24/30	41226821	68032959	41226820	68032960
27 Service	41226823	68032959	41226822	68032960
27/30	41226825	68032959	41226824	68032960
30/30	41226827	68032959	41226826	68032960

Overslung Suspensions

FL9000, FL9000NB, FL11000B

Chamber Size	Left Hand Side of Axle		Right Hand Side of Axle	
	Chamber Part No.	Caliper Part No.	Chamber Part No.	Caliper Part No.
14 Service	41226792	68032959	41226793	68032960
14/16	41226794	68032959	41226795	68032960
14/24	41226796	68032959	41226797	68032960
16 Service	41226798	68032959	41226799	68032960
16/16	41226800	68032959	41226801	68032960
16/24	41226802	68032959	41226803	68032960
18 Service	41226804	68032959	41226805	68032960
18/24	41226806	68032959	41226807	68032960
20 Service	41226808	68032959	41226809	68032960
20/24	41226810	68032959	41226811	68032960
22 Service	41229265	68032959	41229266	68032960
22/24	41229267	68032959	41229268	68032960
24 Service	41229269	68032959	41229270	68032960
24/24	41229271	68032959	41229272	68032960
24/30	41226820	68032959	41226821	68032960
27 Service	41226822	68032959	41226823	68032960
27/30	41226824	68032959	41226825	68032960
30/30	41226826	68032959	41226827	68032960

1
LM & LC

2
TA & TC

3
TE

4
TM

5
STEERING AXLES

6
FLEXAIR FLEXLITE

7
INDAIR

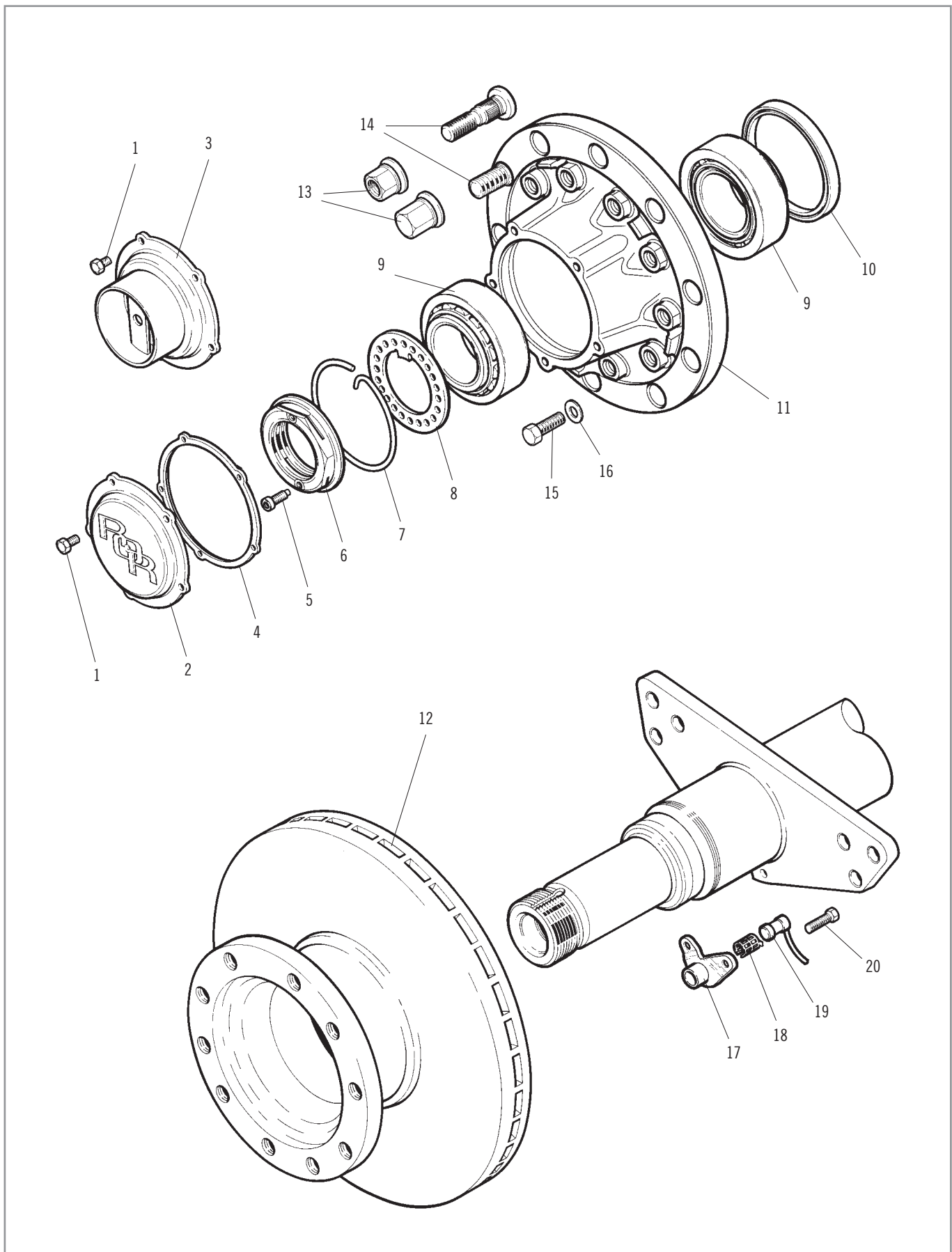
8
SMT

9
AXL KITS

TA & TC PARTS LIST

TA/TC ELSA 2 HUB, DISC AND ABS ASSEMBLY

- 1
LM & LC
- 2
TA & TC
- 3
TE
- 4
TM
- 5
STEERING AXLES
- 6
FLEXAIR FLEXLITE
- 7
INDAI
- 8
SMT
- 9
AXL KITS



TA & TC PARTS LIST

TA/TC ELSA 2 HUB, DISC AND ABS ASSEMBLY



Item	Description	Part Number
1	Screw, hub cap	99543001
2	Hub cap	21226038
3	Hub cap, hubodometer	21226118
4	Gasket, hub cap	21226119
5	Screw, pinch nut	21224864
6	Pinch nut	21226003
7	Retaining clip	21226117PK5
8	Retaining washer	21226090
9	Bearing, inner & outer	99041035S
10	Oil seal	21200321A
11	TA Hub assembly, single wheel only	14226492
11A	TC Hub assembly (not shown)*	—
12	Brake disc	MBR9004
13	Wheel nut	see table below
14	Wheel bolt, steel, single wheel	21226340
14	Wheel bolt, aluminium, single wheel	21226478
15	M16 x 65 Brake disc mounting bolt	21227263
16	Hardened washer	21224978
17	Sensor block	21227415
18	Spring clip	21213036
19	Sensor	21213034
20	Screw, sensor block	99543002

*see page 49 for TC hub parts

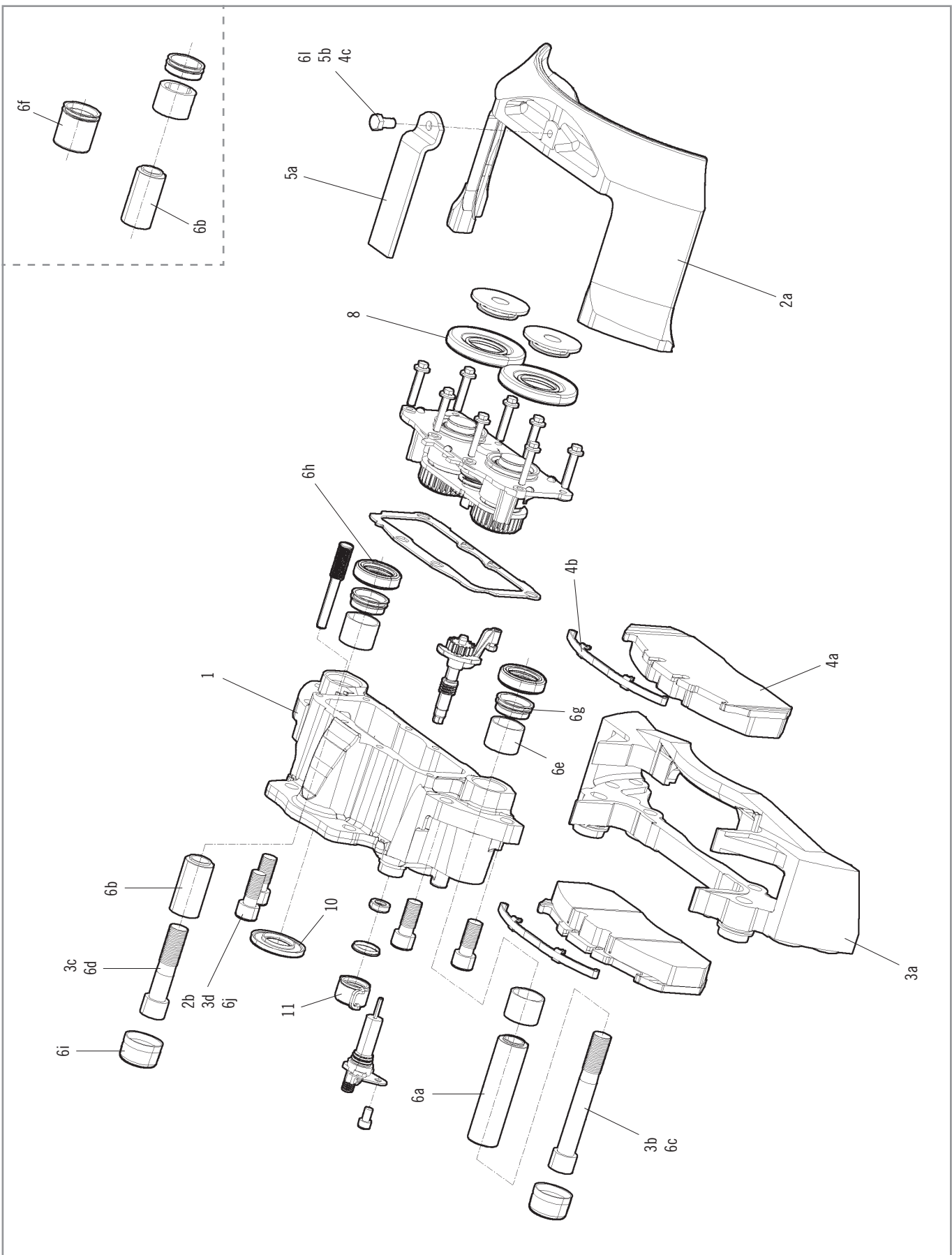
WHEEL NUTS 32mm ACROSS FLATS		
NEW PART NUMBER	TYPE	FINISH COATING
21226395	STANDARD OPEN	PHOSPHATE & OIL
21226396	STANDARD OPEN	DACROMET 500 & OIL
21226397	CLOSED END	PHOSPHATE & OIL
21226484	CLOSED END	DACROMET 500 & OIL

- 1 LM & LO
- 2 TA & TC
- 3 TE
- 4 TM
- 5 STEERING AXLES
- 6 FLEXAIR FLEXLITE
- 7 INDAIR
- 8 SMT
- 9 AXL KITS

TA & TC PARTS LIST

ELSA 2 BRAKE ASSEMBLY

- 1
LM & LC
- 2
TA & TC
- 3
TE
- 4
TM
- 5
STEERING AXLES
- 6
FLEXAIR FLEXLITE
- 7
INDAI
- 8
SMT
- 9
AXL KITS



TA & TC PARTS LIST

ELSA 2 BRAKE ASSEMBLY



Item	Description	Part Number
1	Service caliper, RH	LRG572
1	Service caliper, LH	LRG573
3a-3d	Carrier kit	MCK1146
4a-4c	Brake pad kit	MDP5073
5a-5b	Pad retainer kit	MCK1174
6a-6j	Guide pin kit*	MCK1140
8	Tappet head kit*	MCK1139
10	Actuator seal	68323746PK10
11	Adjuster stem dust cover	68322655PK10
12	M18 x 50 Caliper flanged mounting bolt (not shown)	21227433

* includes grease (not shown)

- 1
LM & LC
- 2
TA & TC
- 3
TE
- 4
TM
- 5
STEERING AXLES
- 6
FLEXAIR FLEXLITE
- 7
INDAIR
- 8
SMT
- 9
AXL KITS

TA & TC PARTS LIST

ELSA 2 AIR CHAMBER ASSEMBLY

1

LM & LC

2

TA & TC

3

TE

4

TM

5

STEERING
AXLES

6

FLEXAIR
FLEXLITE

7

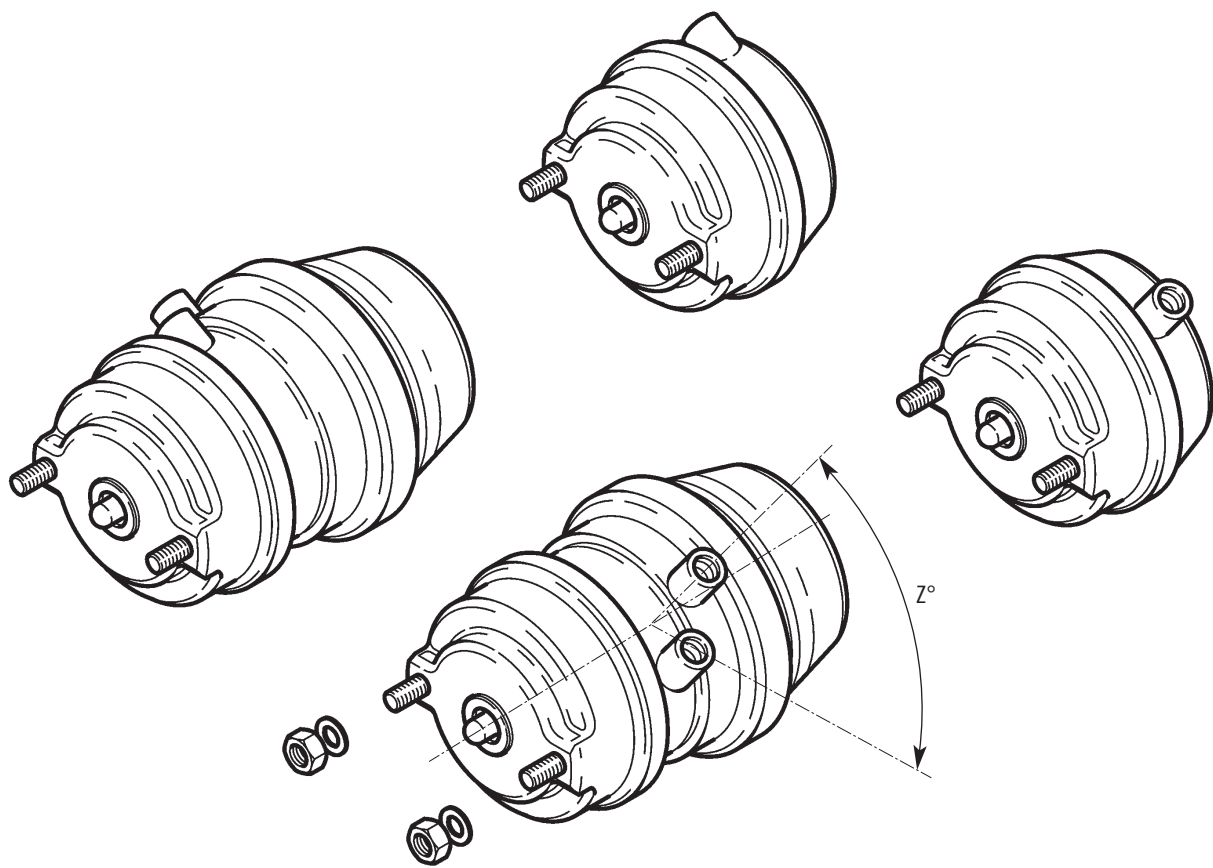
INDAI

8

SMT

9

AXL KITS



TA & TC PARTS LIST

ELSA 2 AIR CHAMBER ASSEMBLY



TA and TC Single Wheel Applications

Air chamber Type	Port orientation (angle Z°)	
	45°	135°
T14	41227562	41227563
T16	41227564	41227565
T18	41227865	41227866
T20	41228284	41228285
T27	41227576	41227577
T14/24	41227566	41227567
T16/24	41227568	41227569
T18/24	41227570	41227571
T20/24	41227572	41227573
T22/24	41227574	41227575
T24/24	41227867	41227868
T27/30	41228528	41228529

TC Twin Wheel Applications

Air chamber Type	Port orientation (angle Z°)	
	45°	135°
T14	41227562	41227563
T16	41227564	41227565
T18	41227865	41227866
T20	41228284	41228285
T27	41227576	41227577
T14/24	41227566	41227567
T16/24	41227568	41227569
T18/24	41227570	41227571
T20/24	41227572	41227573
T22/24	41227574	41227575
T24/24	41227867	41227868

- 1 LM & LC
- 2 TA & TC
- 3 TE
- 4 TM
- 5 STEERING AXLES
- 6 FLEXAIR FLEXLITE
- 7 INDAIR
- 8 SMT
- 9 AXL KITS



1

LM & LC

2

TA & TC

3

TE

4

TM

5

STEERING
AXLES

6

FLEXAIR
FLEXLITE

7

INDAI

8

SMT

9

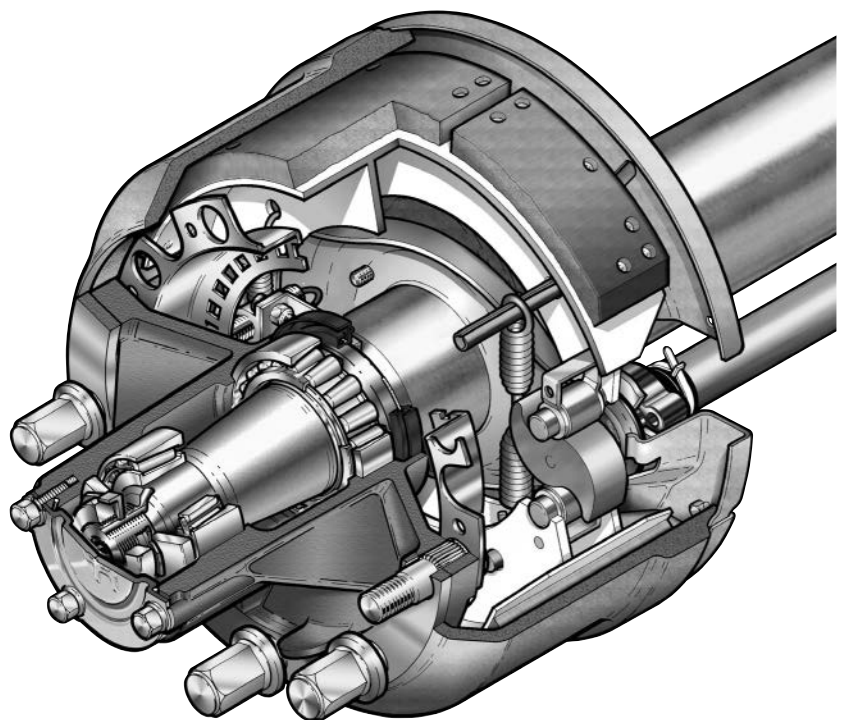
AXL KITS





MERITOR TRAILER PRODUCTS AXLE & BRAKE PARTS LIST

TE SERIES AXLES



1
LM & LC

2
TA & TC

3
TE

4
TM

5
STEERING
AXLES

6
FLEXAIR
FLEXLITE

7
INDAIR

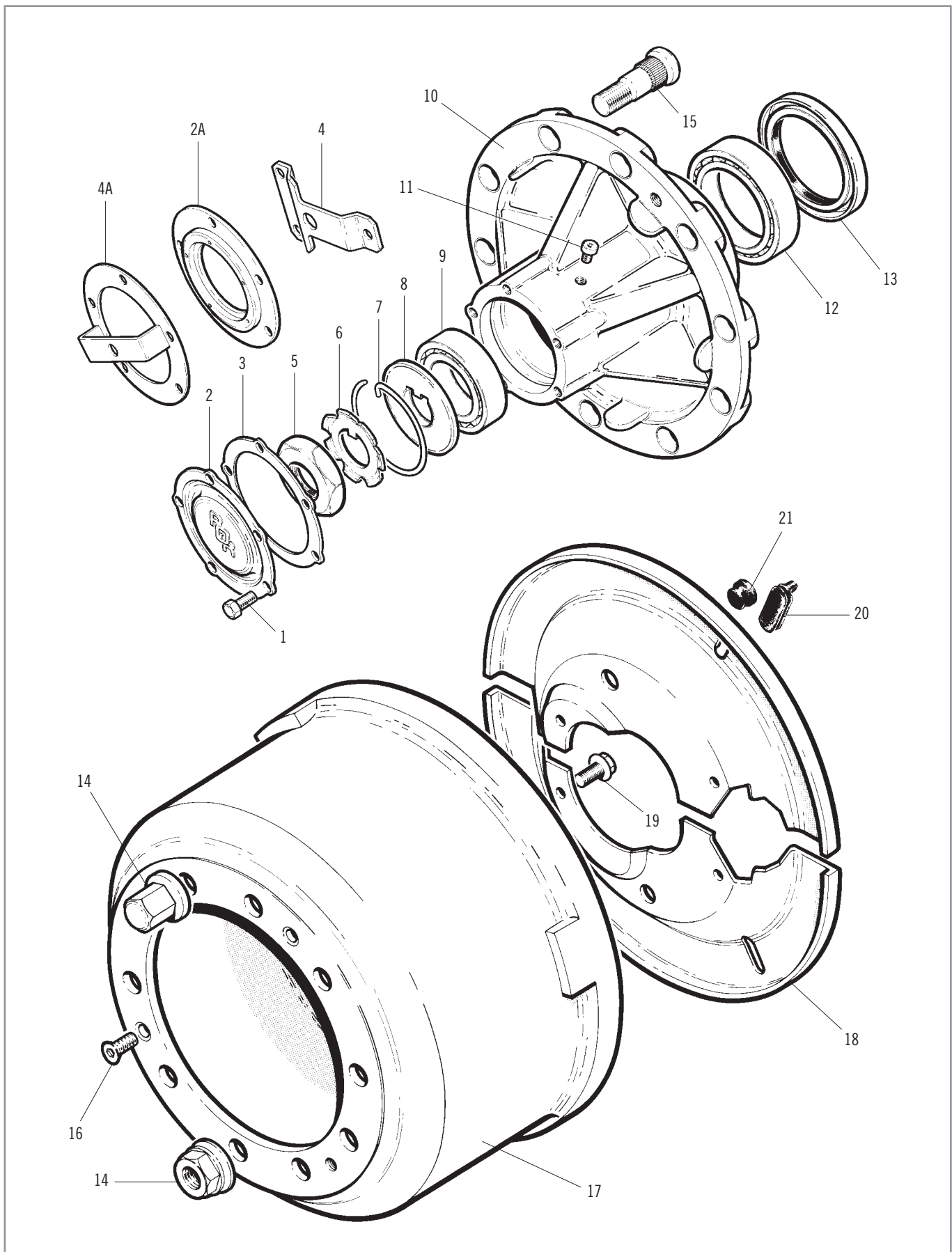
8
SMT

9
AXL KITS

TE PARTS LIST

TE HUB ASSEMBLY

- 1 LM & LC
- 2 TA & TC
- 3 **TE**
- 4 TM
- 5 STEERING AXLES
- 6 FLEXAIR FLEXLITE
- 7 INDAL
- 8 SMT
- 9 AXL KITS



TE PARTS LIST

TE HUB ASSEMBLY



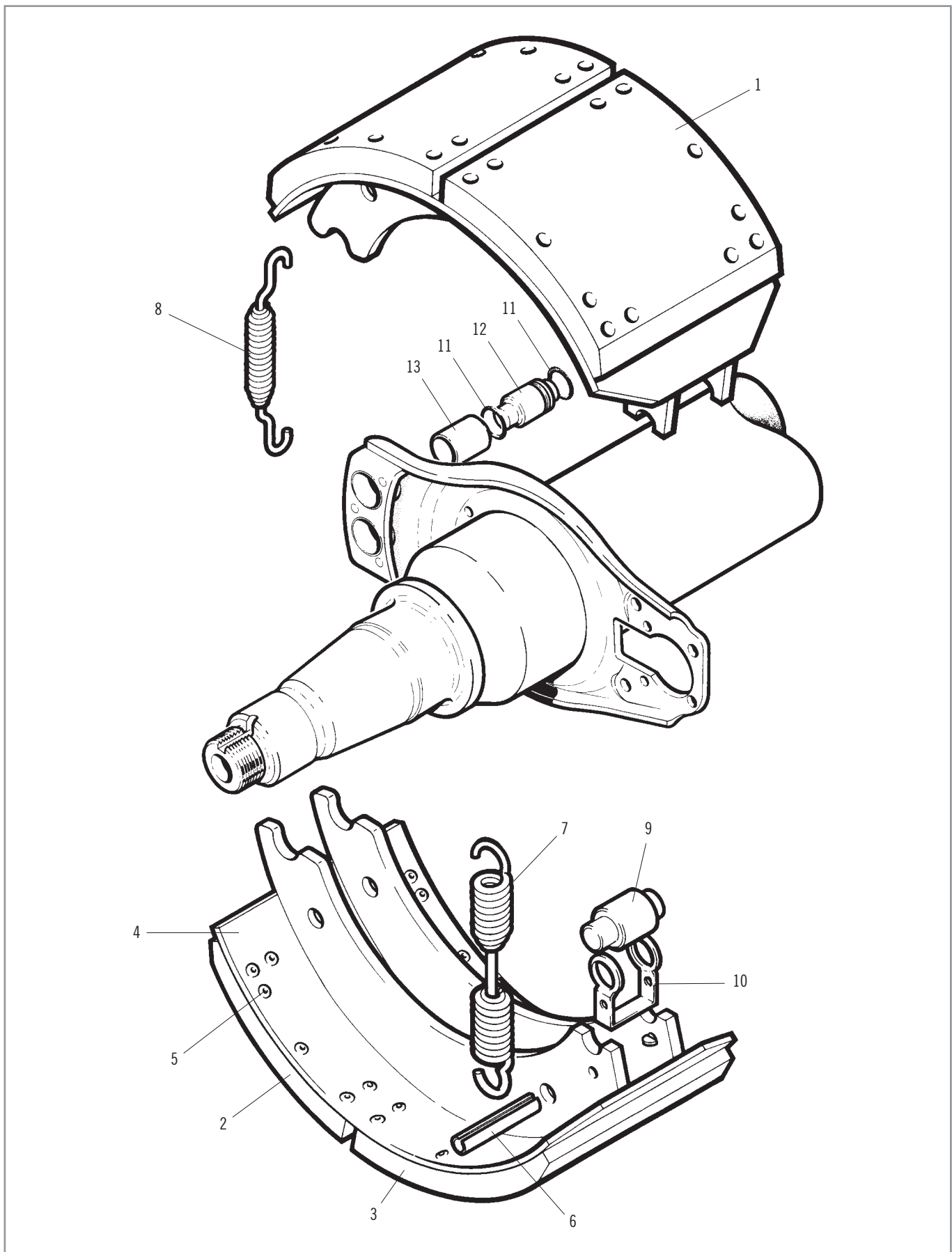
Item	Description	Part Number
1	Screw, hub cap	99520005
2	Hub cap, grease-filled	21220727
2	Hub cap, grease-filled, hubodometer (Jost)	21221060
2A	Hub cap, oil-filled	21223807
3	Gasket, hub cap	21223797
4	Hubodometer mounting plate (Accutrak & Engler)	21222610
4A	Odometer mount, oil filled	21223835
5	End nut	21220759
6	Lock washer	21221061
7	Spring clip	21223127
8	Retaining washer	21220726
9	Bearing, outer	99041068B
10	Hub	14219784
10	Hub, oil-filled	21221162S
11	Plug, oil-filler	21221072
12	Bearing, inner	99041067B
13	Oil seal	21220158
14	Wheel nut, 32mm A/F, steel / aluminium wheel, open	21226395
14	Wheel nut, 32mm A/F, steel / aluminium wheel, closed	21226397
15	Wheel bolt, steel wheel	21220132
15	Wheel bolt, aluminium wheel	21220969
16	Screw, brake drum retaining	99539001
17	Brake drum	21220183V
18	Dust cover assembly	21220647/8
19	Screw, dust cover	99546002
20	Plug, inspection	21220719
21	Plug, blanking	21211385
22	Bearing grease, Total Multis Complex EP2 (not illustrated)	99538005

- 1 LM & LC
- 2 TA & TC
- 3 TE
- 4 TM
- 5 STEERING AXLES
- 6 FLEXAIR FLEXLITE
- 7 INDAIR
- 8 SMT
- 9 AXL KITS

TE PARTS LIST

TE BRAKE ASSEMBLY

- 1
LM & LC
- 2
TA & TC
- 3
TE
- 4
TM
- 5
STEERING AXLES
- 6
FLEXAIR FLEXLITE
- 7
INDAI
- 8
SMT
- 9
AXL KITS



TE PARTS LIST

TE BRAKE ASSEMBLY



Item	Description	Part Number
1	Brake shoe lined assembly	15205536R
2	Brake lining, anchor end	BLKQR
3	Brake lining, cam end	
4	Brake shoe, unlined	
5	Rivet	15205533S
6	Roll pin	21200761
7	Return spring	21220171PK20
8	Retaining spring	21221224PK10
9	Cam roller	21205194PK100
10	Retaining clip	21006610
11	O-ring, anchor pin	21224831PK50
12	Anchor pin	21220668
13	Bush, anchor pin	21205193G
		21221028

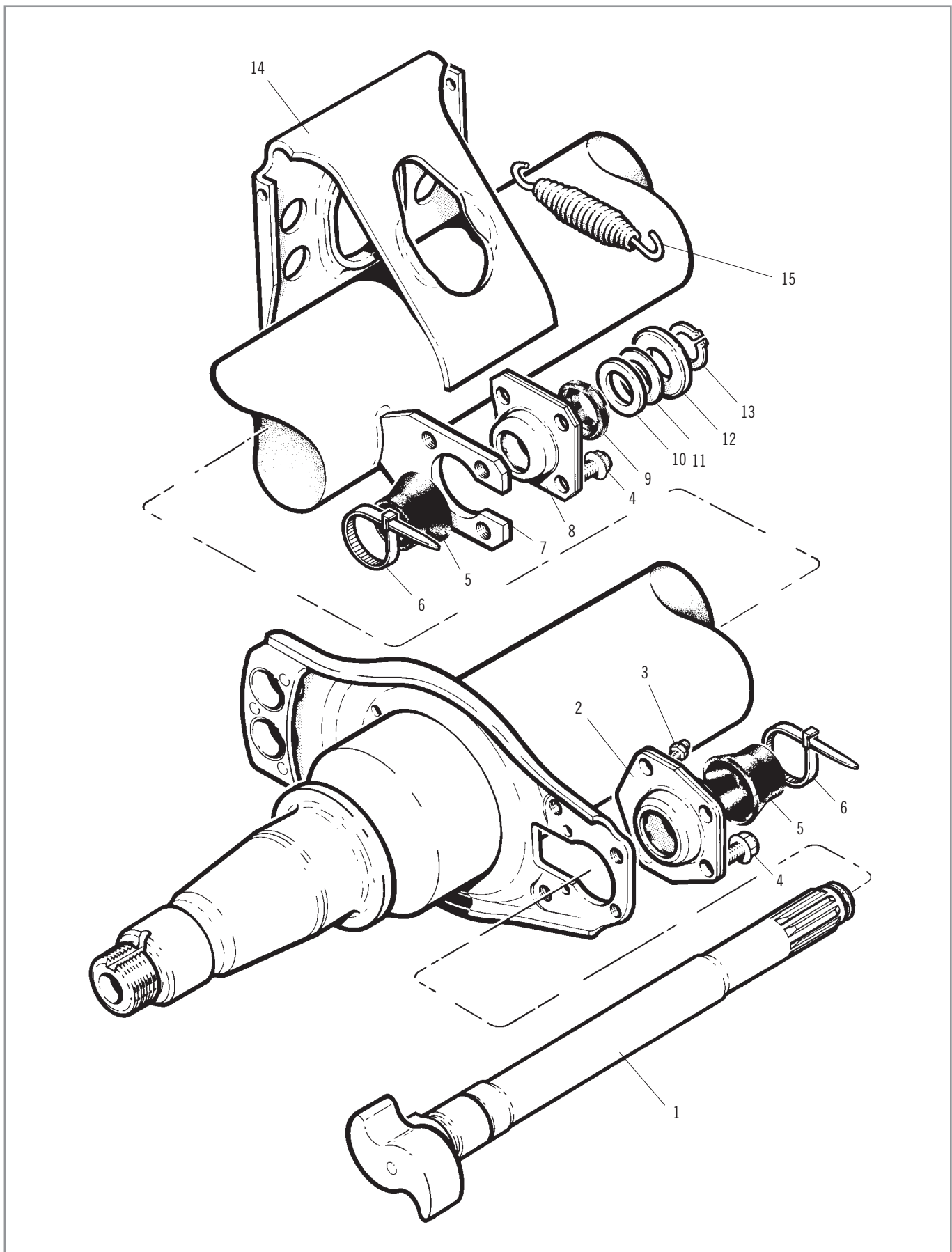
- 1 LM & LC
- 2 TA & TC
- 3 TE
- 4 TM
- 5 STEERING AXLES
- 6 FLEXAIR FLEXLITE
- 7 INDAIR
- 8 SMT
- 9 AXL KITS

TE PARTS LIST

TE CAMSHAFT ASSEMBLY

up to 31st March 2001

- 1
LM & LC
- 2
TA & TC
- 3
TE
- 4
TM
- 5
STEERING AXLES
- 6
FLEXAIR FLEXLITE
- 7
INDAI
- 8
SMT
- 9
AXL KITS



TE PARTS LIST

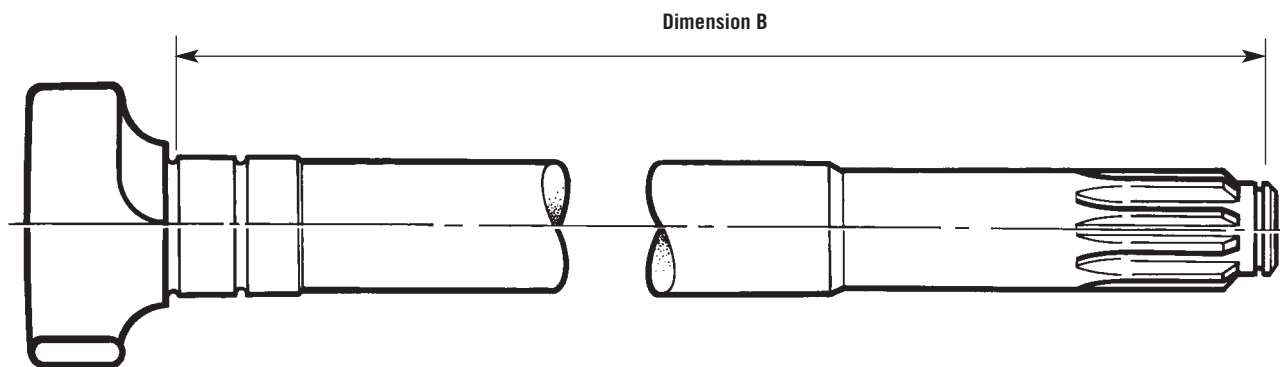
TE CAMSHAFT ASSEMBLY

up to 31st March 2001



Item	Description	Part Number
1	Camshaft, RH, dimension B = 525.5mm	21221070S
1	Camshaft, LH, dimension B = 525.5mm	21221071S
1	Camshaft, RH, dimension B = 587.5mm	21221194S
1	Camshaft, LH, dimension B = 587.5mm	21221195S
2	Spherical bearing, head end	15224821
3	Grease nipple	99040016
3	Grease nipple (from April 1997)	21224520
4	Screw, spherical bearing	99546002
5	Boot, large	21204849
6	Tie-wrap	21221065
7	Camshaft bracket	21020300
8	Spherical bearing, spline end	15213430
9	Boot, small	21205667
10	Washer, spacing, thick	21006627
11	Washer, spacing, thin	21006662
12	Washer, retaining	21219862
13	Circlip	99507030
14	Air chamber bracket	21221004
15	Assister spring	21210215PK10
*16	25g Sachet MERITOR grease (not shown)	99226786
*17	400g Cartridge MERITOR grease (not shown)	99226787

* NB. Items 16 & 17 must be used on items 2 & 8



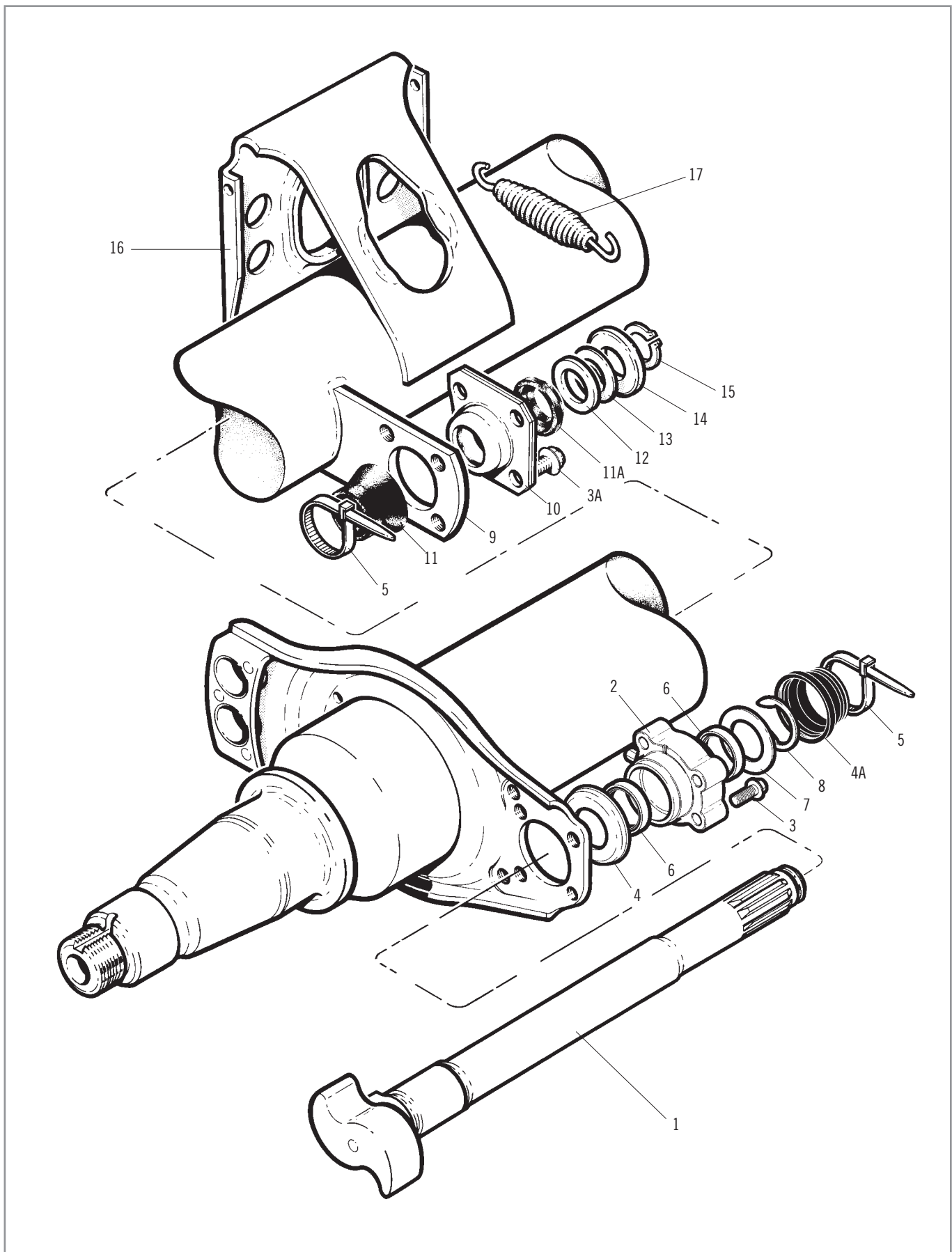
- 1
LM & LC
- 2
TA & TC
- 3
TE
- 4
TM
- 5
STEERING AXLES
- 6
FLEXAIR FLEXLITE
- 7
INDAIR
- 8
SMT
- 9
AXL KITS

TE PARTS LIST

TE CAMSHAFT ASSEMBLY

from 1st April 2001

- 1
LM & LC
- 2
TA & TC
- 3**
TE
- 4
TM
- 5
STEERING AXLES
- 6
FLEXAIR FLEXLITE
- 7
INDAI
- 8
SMT
- 9
AXL KITS



TE PARTS LIST

TE CAMSHAFT ASSEMBLY

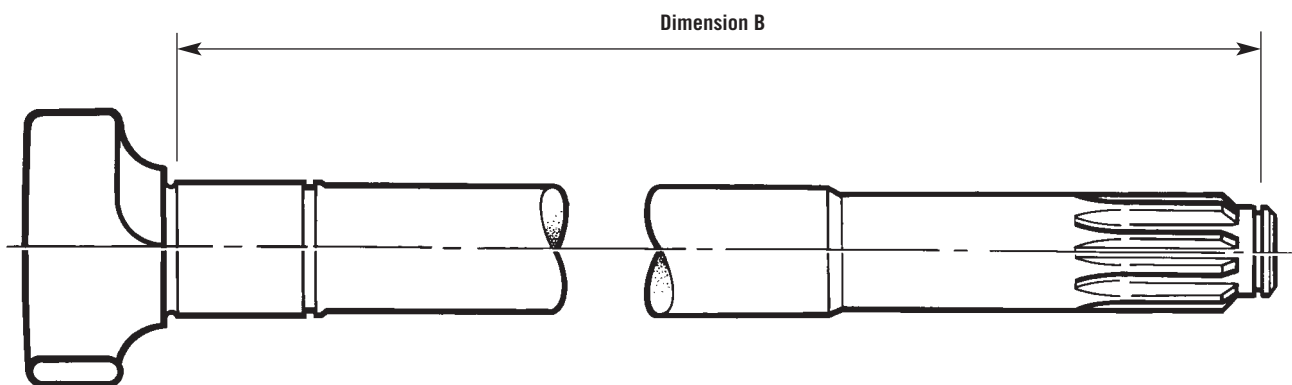
from 1st April 2001



Item	Description	Part Number
1	Camshaft, RH, dimension B = 525.5mm	21227109
1	Camshaft, LH, dimension B = 525.5mm	21227110
1	Camshaft, RH, dimension B = 587.5mm	21227107
1	Camshaft, LH, dimension B = 587.5mm	21227108
2	Cam head bearing assembly**	A23105Q1213
3	Screw, bearing, cam end**	99546000
3A	Screw, bearing, spline end**	99546002
4	Washer seal**	1229K4795
4A	Boot, cam end**	2260K1155
5	Tie wrap**	21221065
6	Lip seal (part of item 2)	-
7	Washer**	1229S4101
8	Snap ring**	1229T4102
9	Camshaft bracket	21020300
10	Spline end bearing assembly**	15213430
11	Inner boot, spline end**	21204849
11A	Outer boot, spline end**	21205667
12	Washer, spacing, thick**	21006627
13	Washer, spacing, thin**	21006662
14	Retaining washer**	21219862
15	Circlip**	99507030
16	Air chamber bracket	21221004
17	Assister spring	21210215PK10
*18	25g Sachet MERITOR grease (not shown)	99226786
*19	400g Cartridge MERITOR grease (not shown)	99226787

* NB. Items 18 & 19 must be used on items 2 & 10

** All contained in service kit AXL 140



1
LM & LC

2
TA & TC

3
TE

4
TM

5
STEERING AXLES

6
FLEXAIR FLEXLITE

7
INDAIR

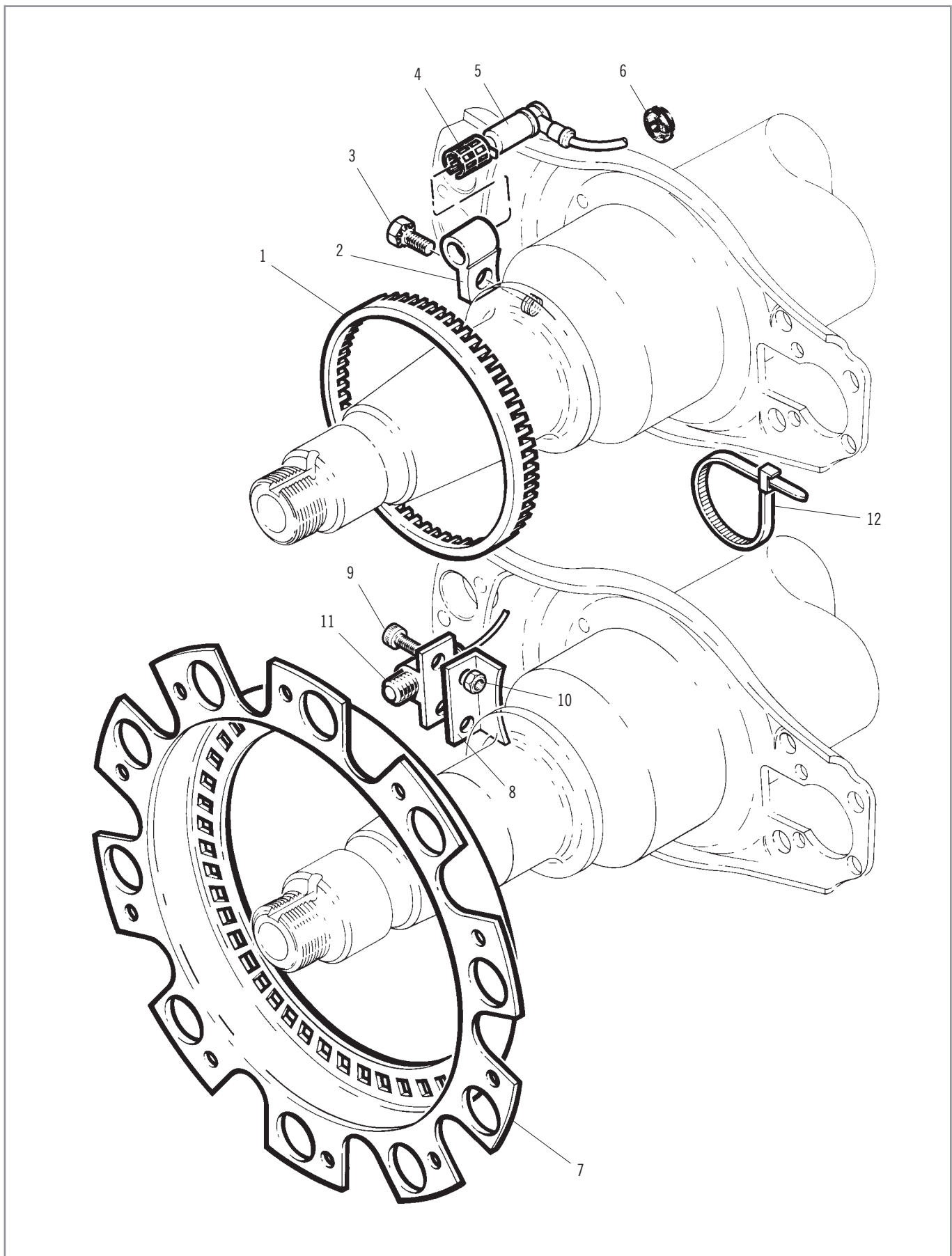
8
SMT

9
AXL KITS

TE PARTS LIST

TE ABS ASSEMBLY

- 1
LM & LG
- 2
TA & TC
- 3
TE
- 4
TM
- 5
STEERING AXLES
- 6
FLEXAIR FLEXLITE
- 7
INDAI
- 8
SMT
- 9
AXL KITS



TE PARTS LIST

TE ABS ASSEMBLY



Item	Description	Part Number
1	Pole wheel, 100 tooth ABS	21221064
2	Sensor mounting block, 100 tooth ABS	22221063
3	Screw, sensor mounting block, 100 tooth ABS	99541001
4	Spring bush	21213036
5	Sensor assembly, 100 tooth ABS	21213034
6	Grommet, 60 window ABS	21220842
6	Strain relief bush, 100 tooth ABS	21222319
7	Exciter ring, 60 window ABS	21209515
8	Sensor mounting bracket, 60 window ABS	21222193
9	Screw, sensor mounting bracket, 60 window ABS	21209518
10	Locknut	21209519
11	Sensor assembly, 60 window ABS	21209517
12	Cable tie	21221065

- 1 LM & LC
- 2 TA & TC
- 3 TE
- 4 TM
- 5 STEERING AXLES
- 6 FLEXAIR FLEXLITE
- 7 INDAIR
- 8 SMT
- 9 AXL KITS

TE PARTS LIST

TE AXLE ID

Identifying your Axle Type

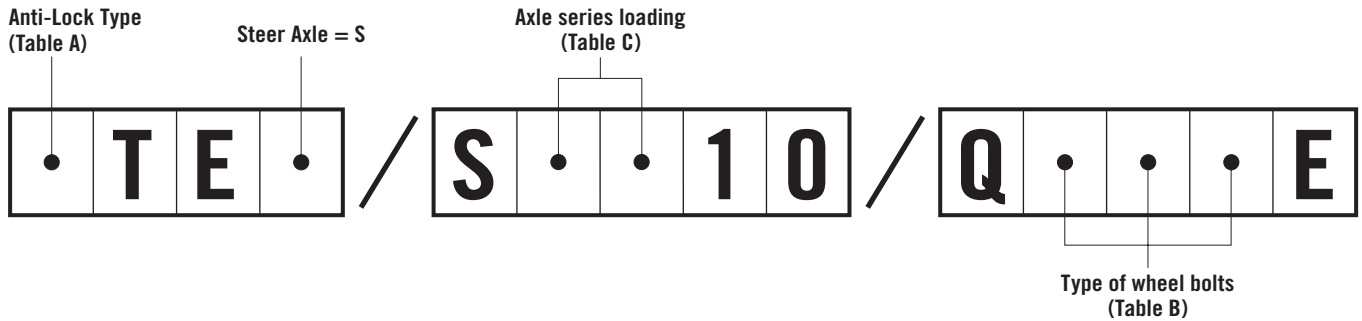


Table A – Type of Anti-lock Sensing

Axle Letter Code	Exciter Ring Type	Suitable For
A	60T Pressed Steel	Grau MGX2 & MGX2E Bendix MDR & MDRA
W	100T Solid Ring	Wabco Bosch Grau DGX & MGX100

Table C – Axle Series Loading

Axle Series	Nominal Highway Axle Rating kg	Wall Thickness mm	Maximum Offset* mm
90	9,300	13	460
93**	9,300	16	490

The axle ratings shown are for normal highway applications and any special application for installation must be approved by Meritor Design Engineering.

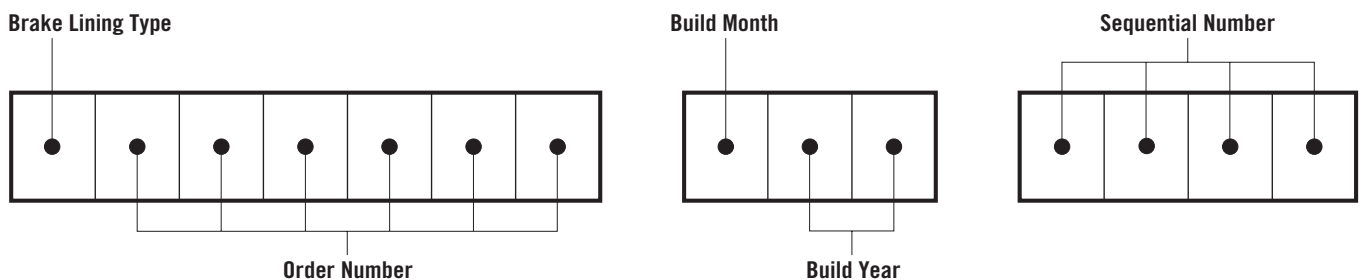
* NB: Offset = $\frac{\text{Track} - \text{spring centres}}{2}$

** For use with non Meritor air suspensions

Table B – Brake Coding Chart

Axle Letter Code	ISO 4107 Wheel mounting type
MX	M22 x 1.5mm wheel studs for single steel wheels
MXA	M22 x 1.5mm wheel studs for single alloy wheels

Identifying the Serial Number





1
LM & LC

2
TA & TC

3
TE

4
TM

5
STEERING
AXLES

6
FLEXAIR
FLEXLITE

7
INDAIR

8
SMT

9
AXL KITS



1

LM & LG

2

TA & TC

3

TE

4

TM

5

STEERING
AXLES

6

FLEXAIR
FLEXLITE

7

INDAI

8

SMT

9

AXL KITS

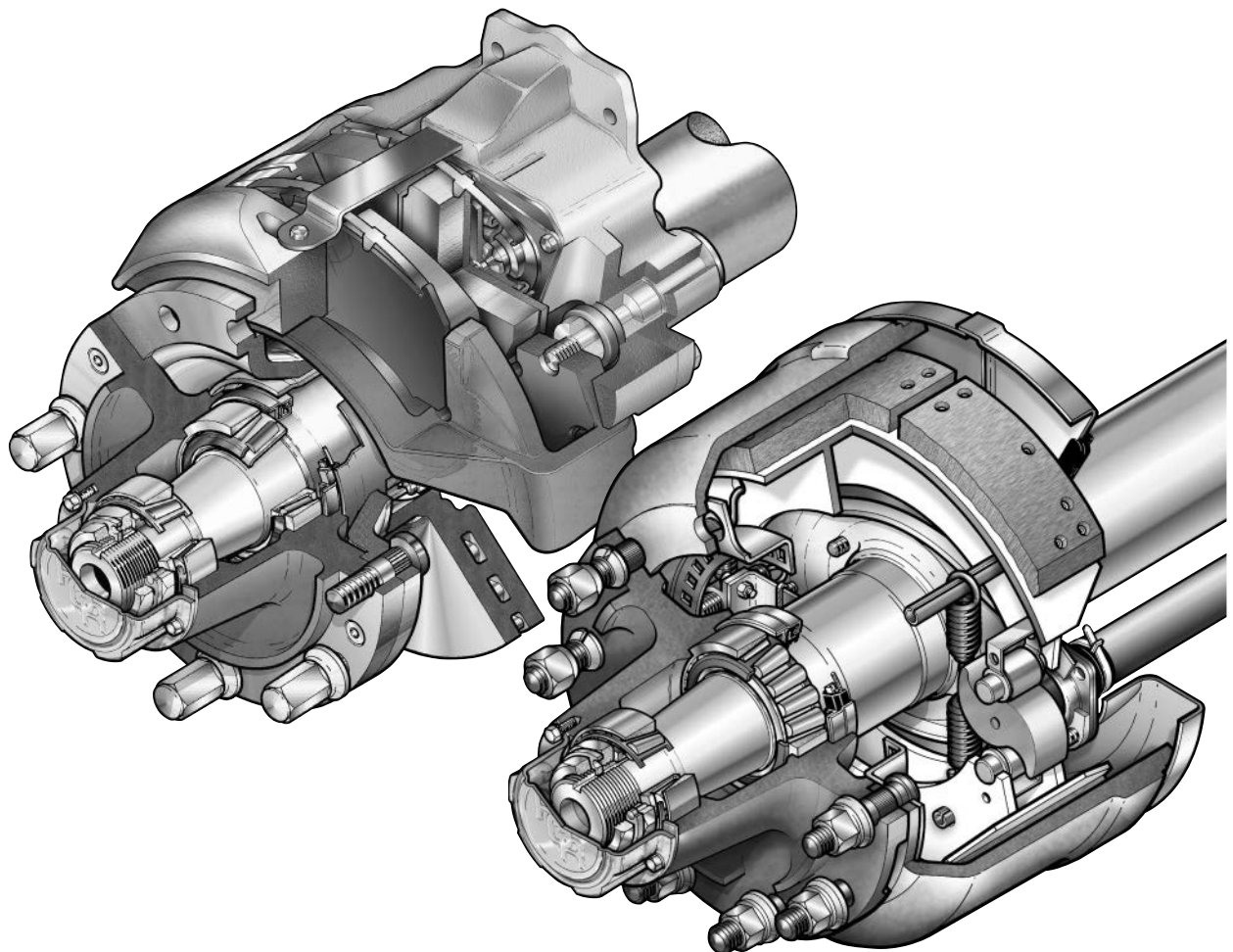




MERITOR TRAILER PRODUCTS AXLE & BRAKE PARTS LIST

TM SERIES AXLES

including disc and drum brake variants



1
LM & LC

2
TA & TC

3
TE

4
TM

5
STEERING
AXLES

6
FLEXAIR
FLEXLITE

7
INDAIR

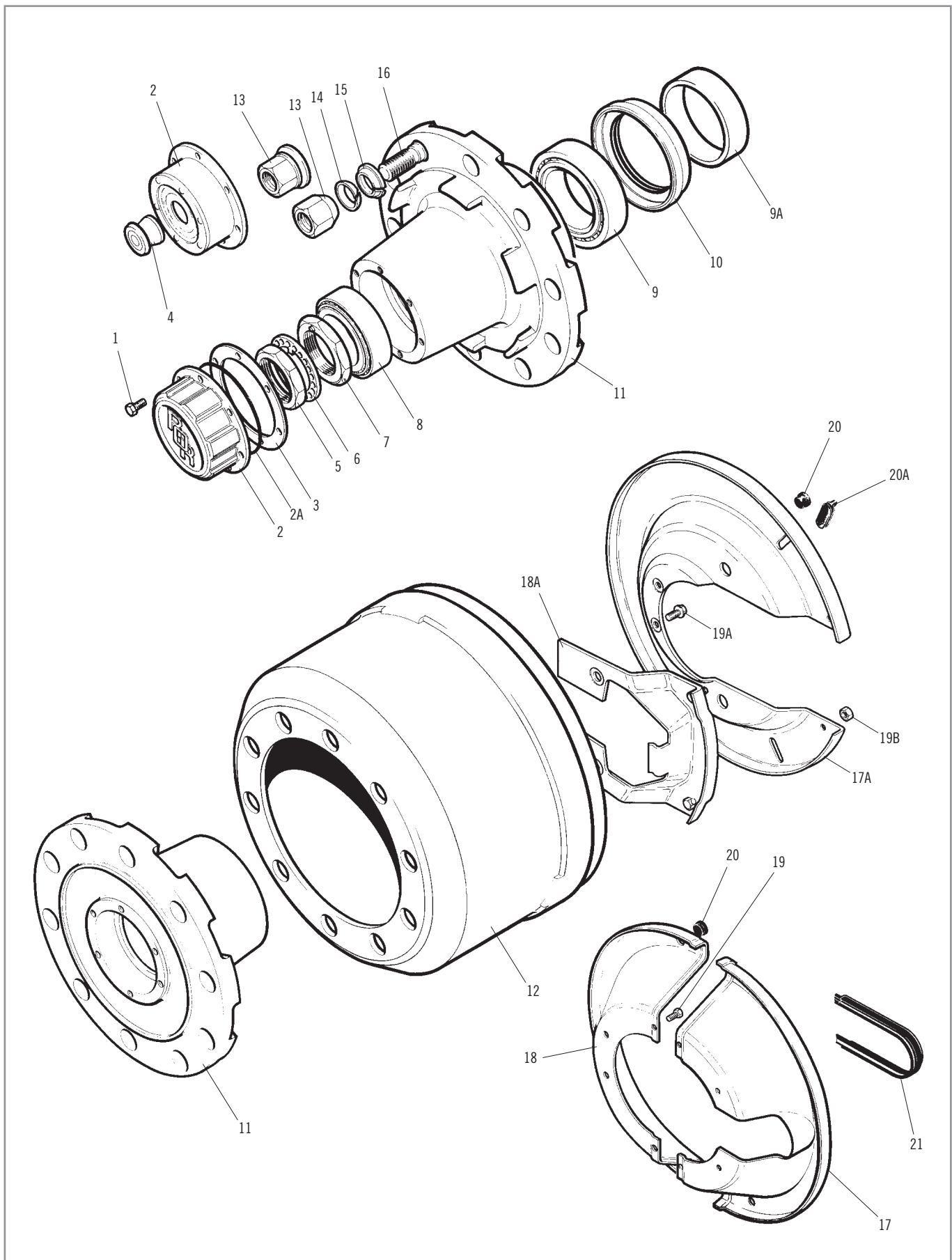
8
SMT

9
AXL KITS

TM PARTS LIST

TM HUB ASSEMBLY

- 1
LM & LC
- 2
TA & TC
- 3
TE
- 4
TM
- 5
STEERING AXLES
- 6
FLEXAIR FLEXLITE
- 7
INDAI
- 8
SMT
- 9
AXL KITS



TM PARTS LIST

TM HUB ASSEMBLY



Item	Description	'AC'	'B'	'Q'	'Z'	33000
		310 x 190	350 x 200	420 x 180	420 x 220	420 x 220
1	Hub cap screw	99520005	99520005	99520005	99520005	99520005
	Hub cap – grease	21202627	21202627	21202627	21202627	21205583
2	Hub cap oil filled	21200624	21200624	21200624	21200624	
2	Hub cap (grease) for hubodometer	21202627A	21202627A	21202627A	21202627A	
2	Hub cap (oil) for hubodometer	21204834	21204834	21204834	21204834	
2	Hub cap (for alloy hub)			21223112	21223112	
2A	'O' ring (for alloy hub)			21223113	21223113	
3	Gasket – grease filled	21211378	21211378	21211378	21211378	21014990
3	Gasket – oil filled	21021002	21021002	21021002	21021002	
4	Vent Plug – oil filled	21021883	21021883	21021883	21021883	
5	Locknut	21210819	21210819	21210819	21210819	21014988
6	Lockwasher	21020818	21020818	21020818	21020818	21014992
7	Bearing adjustment nut	21205571	21205571	21205571	21205571	21014986
8	Outer bearing	99041045S	99041045S	99041045S	99041045S	99041058
9	Inner bearing	99041035S	99041035S	99041035S	99041035S	99041057
9A	Bearing spacer*					21203735
10	Oil seal – unitized	21200321A	21200321A	21200321A	21200321A	99042026
10	Oil seal – grease (33000 series)					99042026
11	Hub – 8 bolt	21020750S	21020750S			
11	Hub – 8 bolt ISO	14205190	14205190	14205190		
11	Hub – 10 bolt	14203219	14203219	14204561	14204561	21201027S
11	Hub – 10 bolt ISO	14203219	14203219	14204562	14204562	21205741S
11	Hub – 10 bolt offset ISO		21218782S	14210885S		
11	Hub – twin alloy wheels			21206354S	21206354S	
11	Hub – 8 bolt Japanese			21211159S	21211159S	
11	Hub – 10 bolt ISO, alloy (c/w bearing cups)			14223111	14223111	
12	Brake drum – 8 bolt	21020448S	21211966S	21021317S		
12	Brake drum – 10 bolt	21209723S	21211030S	21018986V	21021114AV	21021114AV
12	Brake drum – 10 bolt (QE axle)			21220183V		
12	Brake drum – 8 bolt Japanese			21211165S	21212670S	
13	Wheel nut RH 7/8"BSF	21016416		21016416	21016416	21016416
13	Wheel nut LH 7/8"BSF	21016417		21016417	21016417	21016417
13	Wheel nut M22 ISO steel & alloy wheels	21226395	21226395	21226395	21226395	21226395
13	Wheel nut M22 DIN	21006511		21006511	21006511	21006511
14	Wheelcone outer DIN	21006512		21006512	21006512	21006512
15	Wheelcone inner BSF	21201588		21201588	21201588	21201588
15	Wheelcone inner DIN	21019026		21019026	21019026	21019026
16	Wheelbolt 7/8" BSF RH twin } ⁽¹⁾	21020487		21018490	21018490	21018490
16	Wheelbolt 7/8" BSF LH twin } ⁽¹⁾	21020488		21018491	21018491	21018491
16	Wheelbolt M22 DIN & ISO twin ⁽¹⁾⁽²⁾	21020997	21020997	21020997	21020997	21020997
16	Wheelbolt 7/8" BSF RH single	21020735‡		21020735	21020735	
16	Wheelbolt 7/8" BSF LH single	21020736‡		21020736	21020736	
16	Wheelbolt M22 DIN & ISO single	21022167	21022167	21022167	21022167	
16	Wheelbolt M22 ISO twin alloy wheels	21206355	21206355	21206355	21206355	
16	Wheelbolt M22 - for alloy hub & twin alloy wheels			21223210	21223210	
16	Wheelbolt RH Japanese			21211162	21211162	
16	Wheelbolt LH Japanese			21211163	21211163	
17/18	Dust cover pairs	21202329/30	21209705/6	21008062/3	21200920/1	21200920/1
17/18	Dust cover pairs – beams with fabricated anchor brackets (from June '91)			21220647/8	21221567/8	
17A	Dust cover – 'C' type (from Aug '97)			21224522		
18A	Filler plate (from Aug '97)			15224518		
18A	Filler plate (from April '01)			15225842		
19	Screw – dust cover	99534001	99534001	99520005	99520005	99520005
19A	Screw – dust cover (from June '91)			99546002	99546002	
19B	Nut – filler plate (from Aug '97)			99544000		
20	Plug – dust cover	21211385	21211385	21211385	21211385	21211385
20A	Plug – inspection (from June '91)			21220719	21220719	
21	Dust cover seal		21213886	21205639	21205639	21205639

* For axles before Jan. 1977 part number 21202424 should be used. ‡ For single 7/8" BSF 8 stud part number 21200429/30.

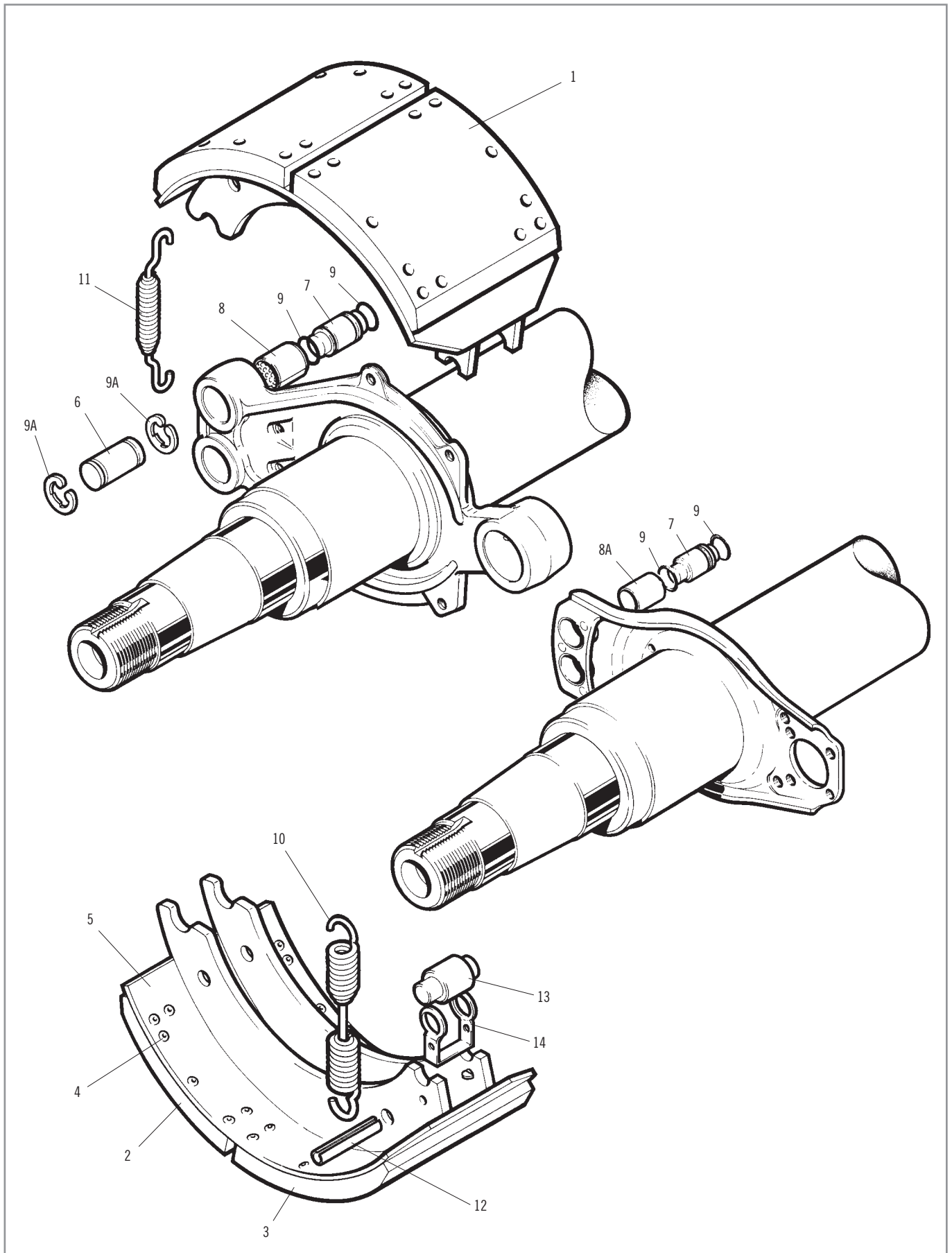
⁽¹⁾ For twin M22 use 21214556. ⁽²⁾ Also use for alloy single wheels.



TM PARTS LIST

TM BRAKE ASSEMBLY

- 1
LM & LC
- 2
TA & TC
- 3
TE
- 4
TM
- 5
STEERING AXLES
- 6
FLEXAIR FLEXLITE
- 7
INDAI
- 8
SMT
- 9
AXL KITS



TM PARTS LIST

TM BRAKE ASSEMBLY



Item	Description	'AC'	'B'	'Q'	'Z'	33000
		310 x 190	350 x 200	420 x 180	420 x 220	420 x 220
1	Brake shoe lined assembly series II	15200106R		15200103R	15200101R	15200101R
1	Brake shoe lined assembly series III	15206004R	15209714R	15205536R	15205192R	15205192R
2	Brake lining, anchor end	BLKAR	BLKBR	BLKQR	BLKZR	BLKZR
3	Brake lining, cam end					
		} Brake lining kit (including rivets)				
4	Rivet	21200761	21200761	21200761	21200761	21200761
5	Brake shoe unlined series III	15206005B	15209713B	15205533S	15205191S	15205191S
5	Brake shoe unlined series II	15200011		15025412S	15200007S	15200007S
6	Anchor pin series II	21205204		21205204	21205204	21205204
7	Anchor pin series III	21205193G	21205193G	21205193G	21205193G	21205193G
8	Bush	21016666A	21016666A	21016666A	21016666A	21016666A
8A	Bush – stainless steel (fab a/bkt)*			21221028	21221028	
9	'O' ring	21220668	21220668	21220668	21220668	21220668
9A	Retaining clip series II	99504001		99504001	99504001	99504001
10	Release spring	21220859PK10	21221224PK10	21221224PK10	21221224PK10	21221224PK10
11	Retainer spring series III	21205194PK100	21205194PK100	21205194PK100	21205194PK100	21205194PK100
12	Pin	21220171PK20	21220171PK20	21220171PK20	21220171PK20	21220171PK20
13	Cam roller	21006610	21006610	21006610	21006610	21006610
14	Roller retainer clip	21224831PK50	21224831PK50	21224831PK50	21224831PK50	21224831PK50

* From June 1991

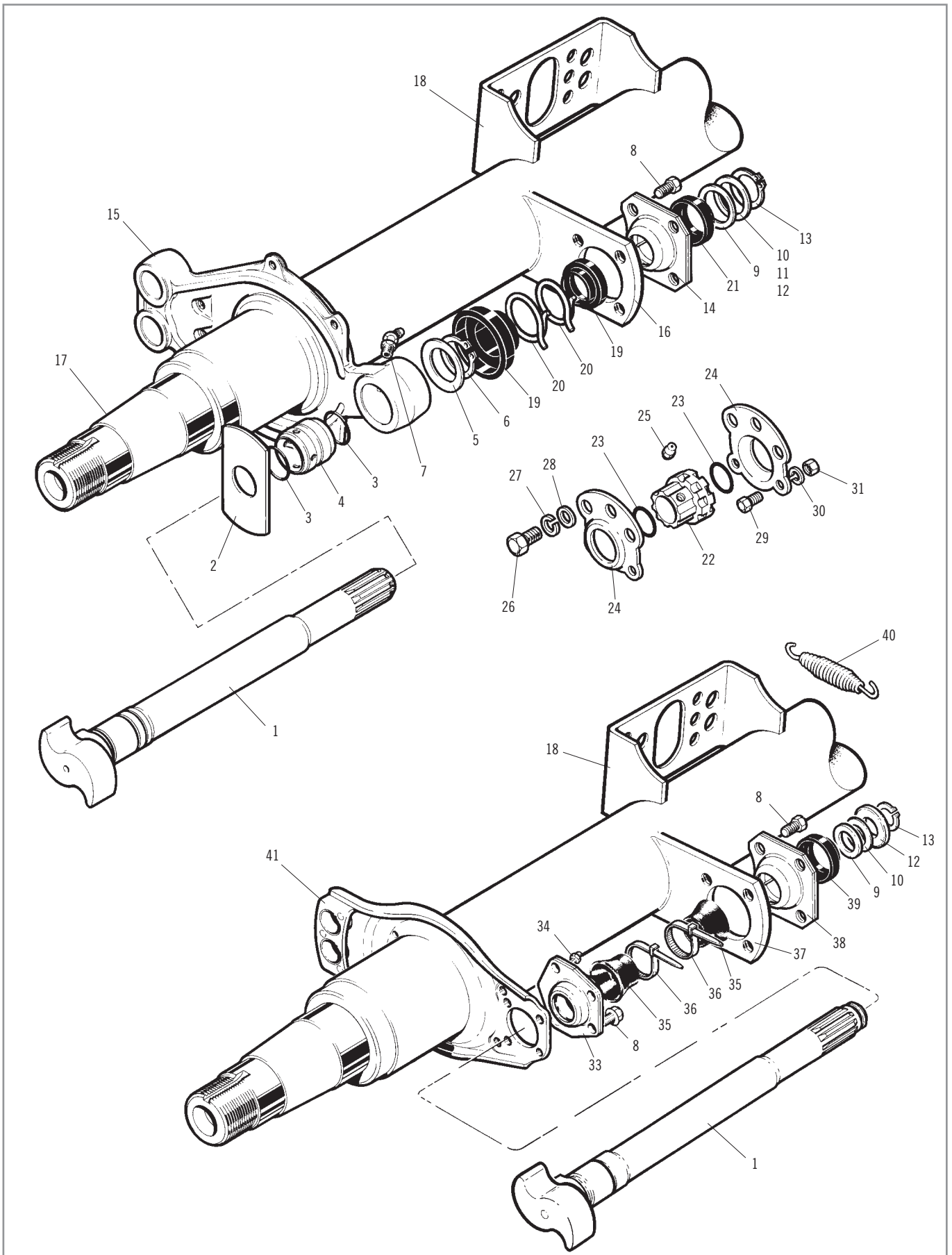
- 1 LM & LO
- 2 TA & TC
- 3 TE
- 4 TM
- 5 STEERING AXLES
- 6 FLEXAIR FLEXLITE
- 7 INDAIR
- 8 SMT
- 9 AXL KITS

TM PARTS LIST

TM CAMSHAFT ASSEMBLY

up to 31st March 2001

- 1
LM & LG
- 2
TA & TC
- 3
TE
- 4
TM
- 5
STEERING AXLES
- 6
FLEXAIR FLEXLITE
- 7
INDAI
- 8
SMT
- 9
AXL KITS



TM PARTS LIST

TM CAMSHAFT ASSEMBLY

up to 31st March 2001



Item	Description	'AC' 310 x 190	'B' 350 x 200	'Q' 420 x 180	'Z' 420 x 220	33000 420 x 220	
1	Camshaft RH } 1 Camshaft LH }	see brake camshaft table page 10/11					
2	Cam head washer	21202756	21202756	21202756	21202756	21202756	
3	'O' ring	21016721	21016721	21016721	21016721	21016721	
4*	Bush – phosphor bronze stepped cam	21209990	21209990	21209990	21209990	21209990	
5	Bevel washer	21202757	21202757	21202757	21202757	21202757	
6	Circlip	99070011	99070011	99070011	99070011	99070011	
7	Grease nipple	99040012	99040009	99040009	99040009	99040009	
8	Screw	99546002	99546002	99546002	99546002	99546002	
9	Bevel washer	21006624	21006624	21006624	21006624	21006624	
10	Washer, spacing, thin	21006662	21006662	21006662	21006662	21006662	
11	Washer, spacing, thick	21006627	21006627	21006627	21006627	21006627	
12	Retaining washer – rolled spline c/shafts only	21219862	21219862	21219862	21219862	21219862	
13	Circlip – rolled spline c/shaft	99507030	99507030	99507030	99507030	99507030	
13	Circlip	99070006	99070006	99070006	99070006	99070006	
14	Spherical bearing assy	15213430	15213430	15213430	15213430	15213430	
15	Anchor bracket assy	–	–	–	–	–	
16	Camshaft bracket	21020787	21209707	21020300	21020300	21201081	
17	Axle beam	apply to MERITOR quoting serial number (see page 26) or axle series & track					
18	Air chamber bracket	21024347	21201592	21201592	21201592		
19	Rubber boot – large	21204849	21204849	21204849	21204849	21204849	
20	Cable tie	21221065	21221065	21221065	21221065	21221065	
21	Rubber boot – short	21205667	21205667	21205667	21205667	21205667	
22	Spherical bearing – nylon	21006585		21006585	21006585		
23	'O' ring	21014640		21014640	21014640		
24	Housing spherical bearing	21006563		21006563	21006563		
25	Grease nipple	99040012		99040012	99040012		
26	Screw			722311623	722311623		
27	Washer – spring			841415116	841415116		
28	Washer – plain			841011116	841011116		
29	Screw			722311021	722311021		
30	Washer – spring			841415110	841415110		
31	Hex nut			821136110	821136110		
	From June 1991	– axle beams with fabricated anchor brackets					
33	Spherical bearing – head end			15224821	15224821		
34	Grease nipple			99040016	99040016		
34	Grease nipple (from April '97)			21224520	21224520		
35	Boot – large			21204849	21204849		
36	Cable tie			21221065	21221065		
37	Camshaft bracket			(see item 16)	(see item 16)		
38	Spherical bearing – spline end			15213430	15213430		
39	Boot – small			21205667	21205667		
40	External brake return spring			21210215PK10	21210215PK10		
41	Anchor bracket – pressed			–	–		
42	Manual slack adjuster – 4 hole metric (not shown)	21219681	21219681	21219681	21219681	21219681	

* Oversize bushes available:

Standard camshaft 21209623
Stepped camshaft 21213259

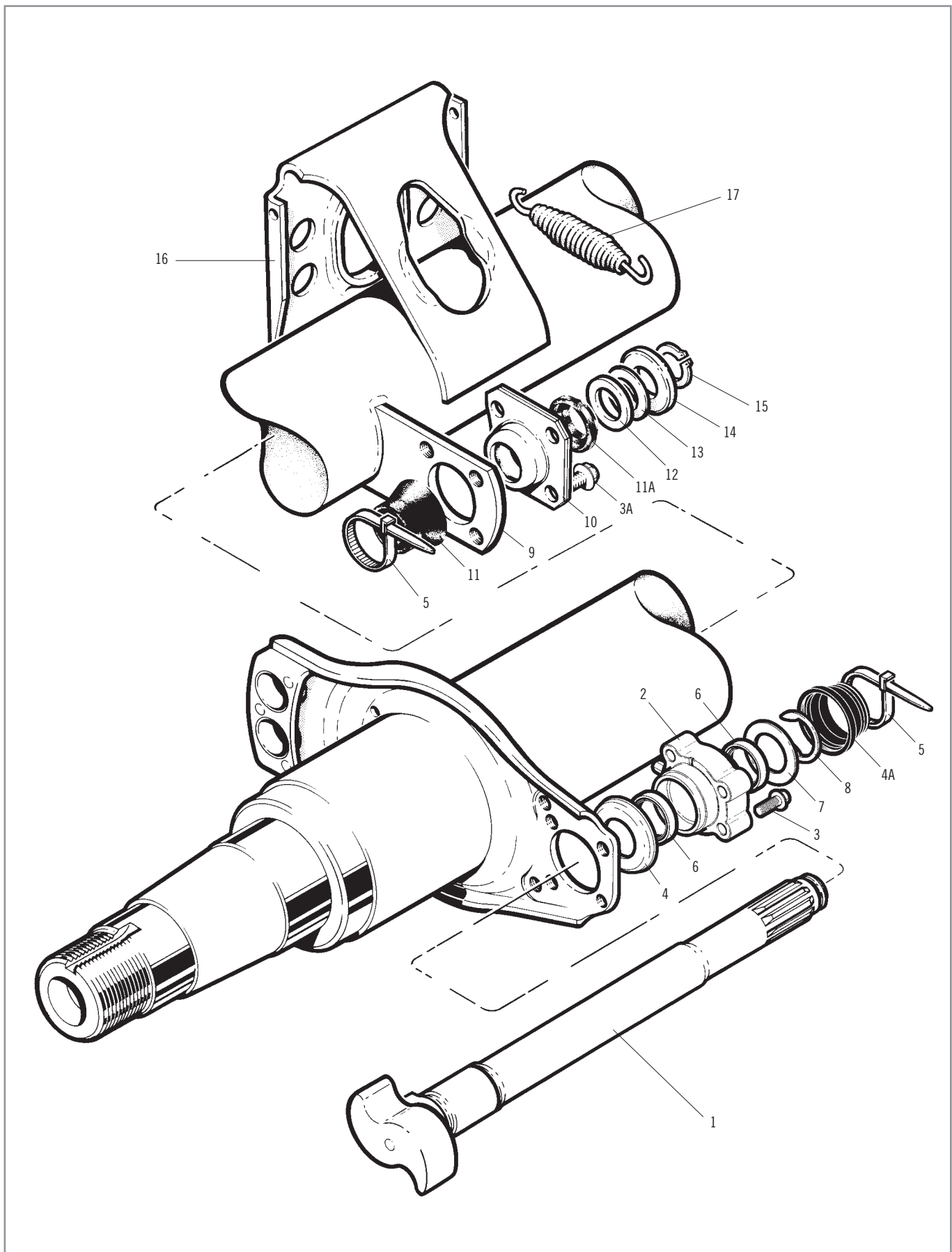


TM PARTS LIST

TM CAMSHAFT ASSEMBLY

from 1st April 2001

- 1
LM & LC
- 2
TA & TC
- 3
TE
- 4
TM
- 5
STEERING AXLES
- 6
FLEXAIR
FLEXLITE
- 7
INDAI
- 8
SMT
- 9
AXL KITS



TM PARTS LIST

TM CAMSHAFT ASSEMBLY

from 1st April 2001



Item	Description	Part Number
1	Camshaft LH/RH	see table page 10/11
2	Cam head bearing assembly**	A23105Q1213
3	Screw, bearing, cam end**	99546000
3A	Screw, bearing, spline end**	99546002
4	Washer seal**	1229K4795
4A	Boot, cam end**	2260K1155
5	Tie wrap**	21221065
6	Lip seal (part of item 2)	-
7	Washer**	1229S4101
8	Snap ring**	1229T4102
9	Camshaft bracket	21020300
10	Spline end bearing assembly**	15213430
11	Inner boot, spline end**	21204849
11A	Outer boot, spline end**	21205667
12	Washer, spacing, thick**	21006627
13	Washer, spacing, thin**	21006662
14	Retaining washer**	21219862
15	Circlip**	99507030
16	Air chamber bracket	21201592
17	Assister spring	21210215PK10
*18	25g Sachet MERITOR grease (not shown)**	99226786
*19	400g Cartridge MERITOR grease (not shown)	99226787
20	Grease nipple dust cap (not shown)	2297L7274

* NB. Items 18 & 19 must be used on items 2 & 10

** All contained in service kit AXL 140

- 1 LM & LC
- 2 TA & TC
- 3 TE
- 4 **TM**
- 5 STEERING AXLES
- 6 FLEXAIR FLEXLITE
- 7 INDAIR
- 8 SMT
- 9 AXL KITS

TM PARTS LIST

BRAKE CAMSHAFT TABLE

1
LM & LC

2
TA & TC

3
TE

4
TM

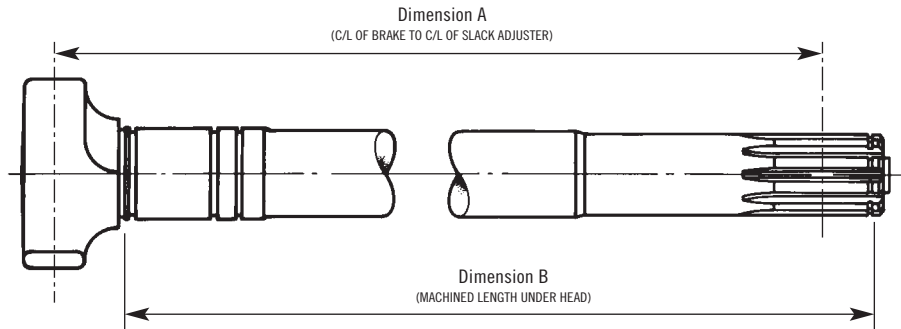
5
STEERING
AXLES

6
FLEXAIR
FLEXLITE

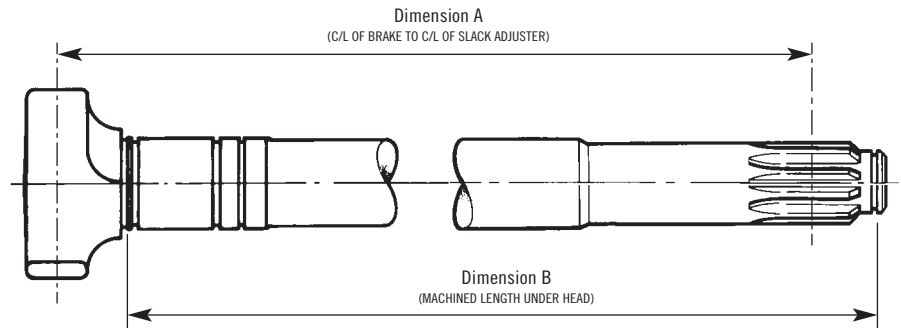
7
INDAI

8
SMT

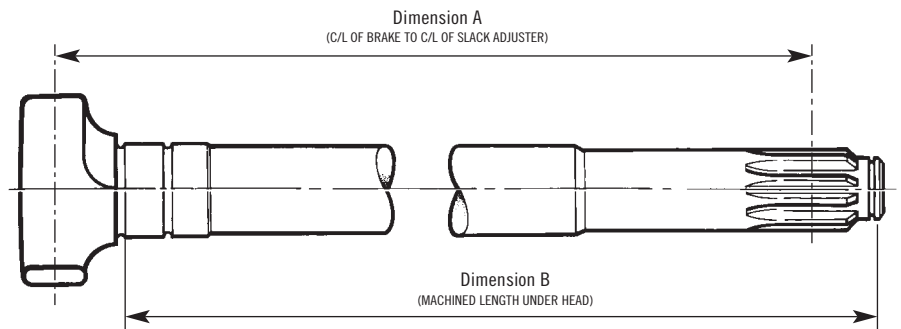
9
AXL KITS



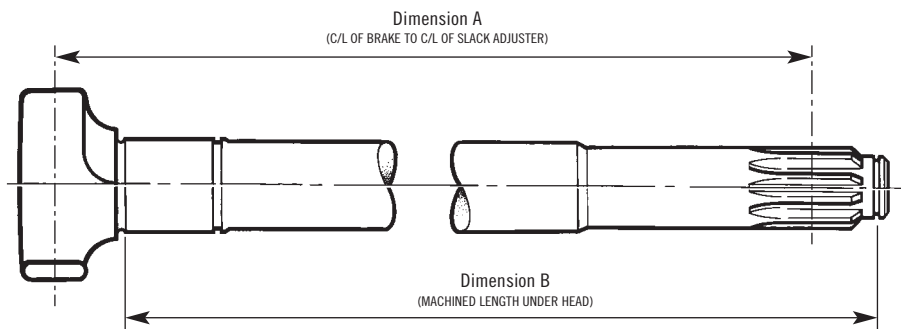
Camshaft Type 'X' – original machined spline, used with forged anchor bracket, superseded by Type 'Y'.



Camshaft Type 'Y' – later rolled spline, used with forged anchor bracket.



Camshaft Type 'Z' – rolled spline, used with pressed steel anchor bracket.

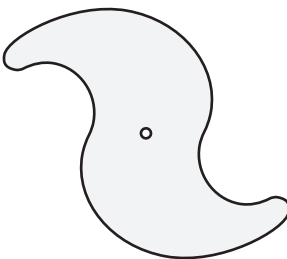
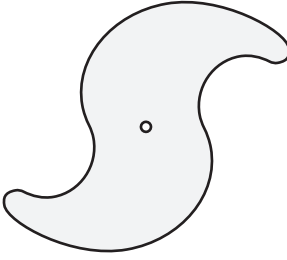


Camshaft Type 'A' – rolled spline, pressed steel anchor bracket with new cam head bearing (from April 2001).

TM PARTS LIST

BRAKE CAMSHAFT TABLE



Brake Dia.	Dim'n A	Dim'n B	Type 'Y' RH-LH	Type 'Z' RH-LH	Type 'A' RH-LH
420	188.98	193.00	21219301 - 02		
	209.48	213.50	21219303 - 04		
	228.38	232.40	21219287 - 88	21223154 - 55	21227113 - 14
	253.98	258.00	21219269 - 70	21222949 - 50	
	293.58	297.60	21219271 - 72		
	356.98	361.00	21219275 - 76		
	412.68	416.70	21219263 - 64	21222183 - 84	21227111 - 12
	442.78	446.80	21219281 - 82		
	476.18	480.20	21219259 - 60	21222185 - 86	
	521.48	525.50	21219257S - 58S	21221070S - 71S	21227109 - 10
	542.43	549.00		21222700 - 01	
	564.48	568.50	21219283 - 84	21222386 - 87	
	583.48	587.50	21219279S - 80S	21221194S - 95S	21227107 - 08
	601.98	606.00	21219307 - 08		
	605.98	610.00	21219309 - 10	21222187 - 88	21227105 - 06
	622.98	627.00	21219277 - 78	21222189 - 90	21227103 - 04
632.98	637.00	21219305 - 06	21222191 - 92	21227101 - 02	
350	188.98	193.00	21219315 - 16	 <p>Right hand camshaft end view</p>	
	244.98	249.00	21219317 - 18		
	364.58	368.60	21219327 - 28		
	412.68	416.70	21219319 - 20		
	521.48	525.50	21219311 - 12		
	570.98	575.00	21219313 - 14		
	605.98	610.00	21219321 - 22		
	666.48	670.50	21219323 - 24		
	680.08	684.10	21219333 - 34		
687.98	692.00	21219329 - 30			
310	169.98	174.00	21219341 - 42	 <p>Left hand camshaft end view</p>	
	188.98	193.00	21219739 - 40		
	412.68	416.70	21219737 - 38		
	521.48	525.50	21219335 - 36		
	570.98	575.00	21220815 - 16		
	605.98	610.00	21219337 - 38		
	632.98	637.00	21219345 - 46		
	687.98	692.00	21219343 - 44		

1
LM & LC

2
TA & TC

3
TE

4
TM

5
STEERING AXLES

6
FLEXAIR FLEXLITE

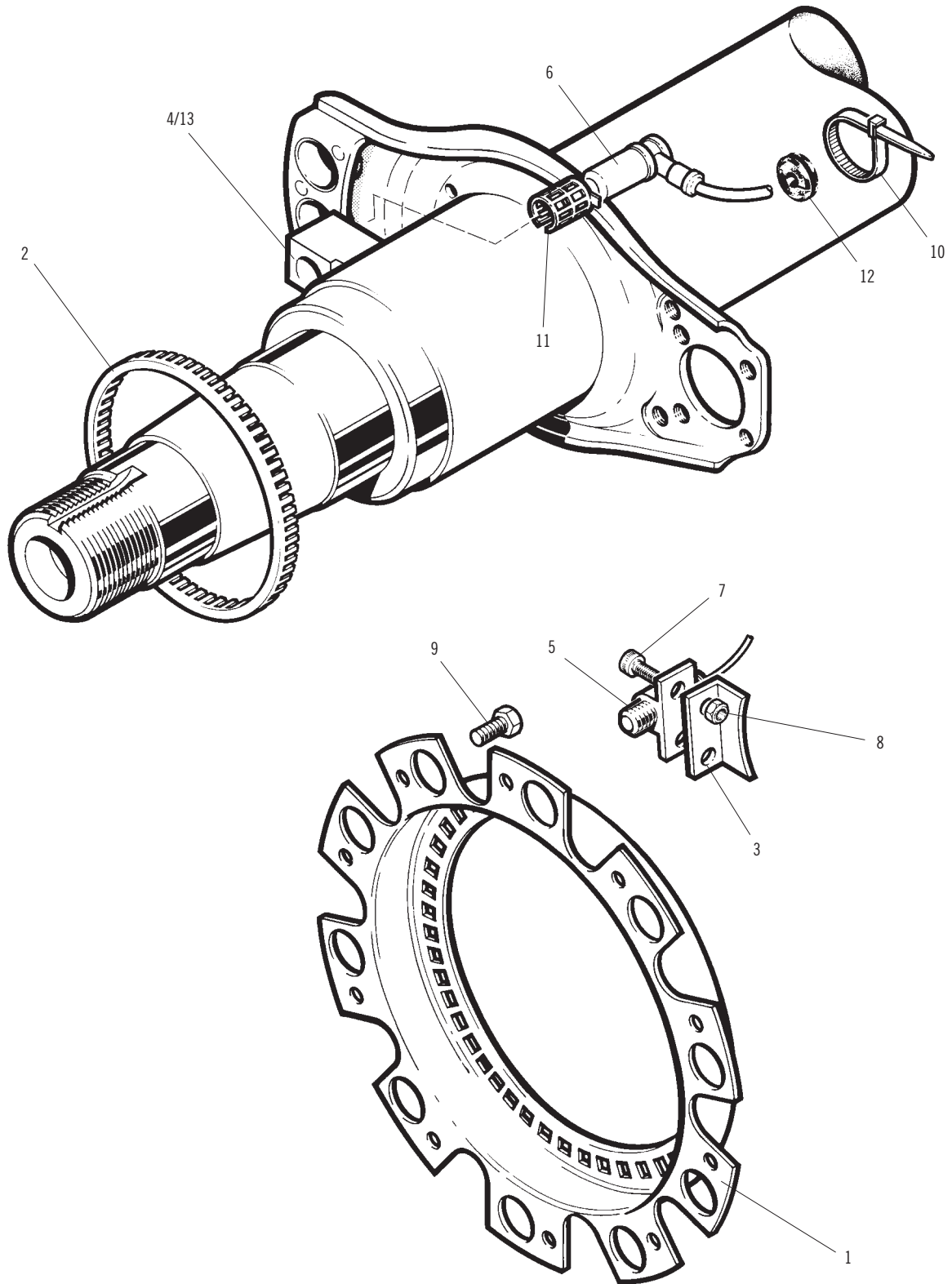
7
INDAIR

8
SMT

9
AXL KITS

TM PARTS LIST

ABS ASSEMBLY



1

LM & LC

2

TA & TC

3

TE

4

TM

5

STEERING
AXLES

6

FLEXAIR
FLEXLITE

7

INDAI

8

SMT

9

AXL KITS

TM PARTS LIST

ABS ASSEMBLY



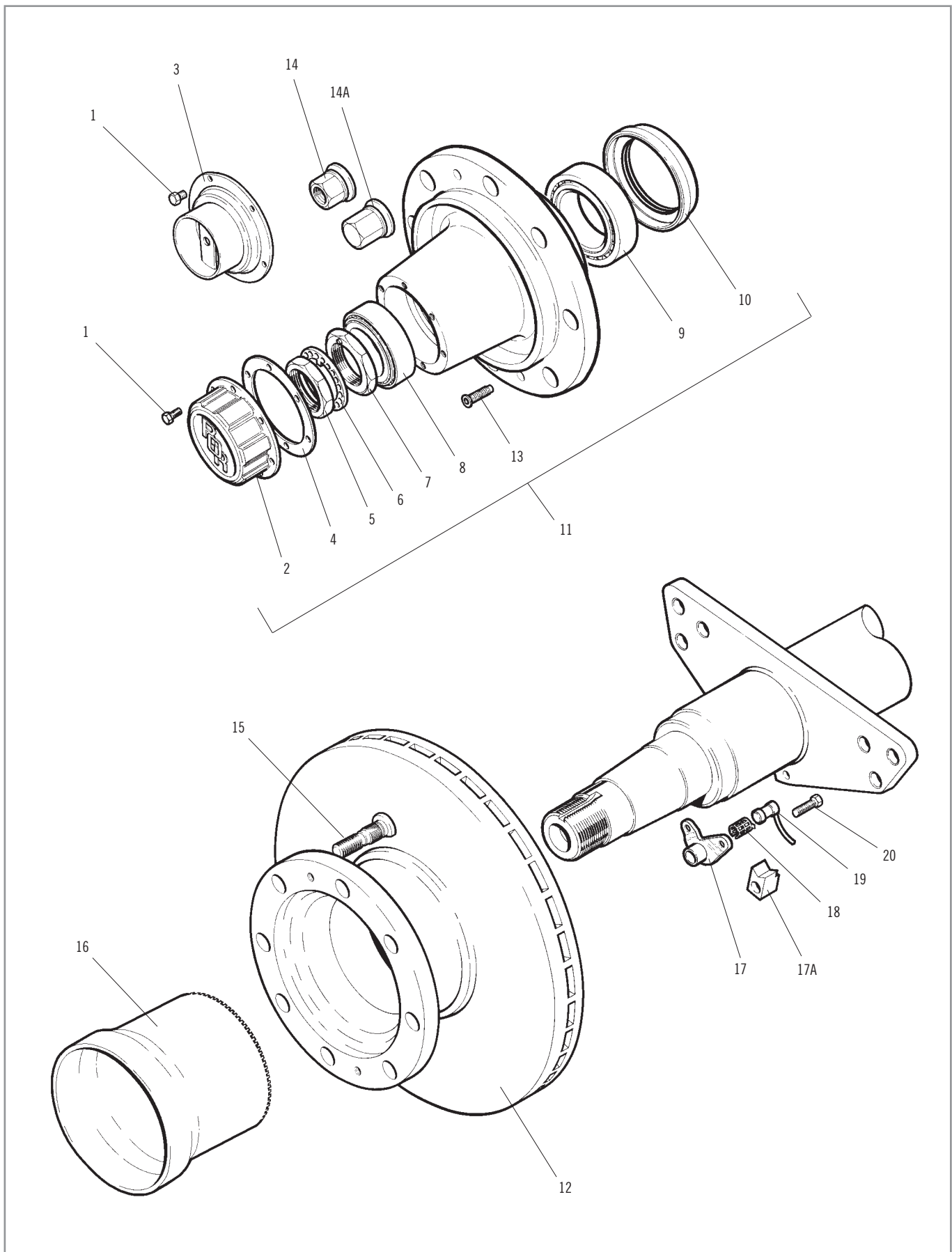
Item	Description	'AC'	'B'	'Q'	'Z'
		310 x 190	350 x 200	420 x 180	420 x 220
1	Exciter ring (Antiskid)	21209521	21209521	21209515	21209515
2	Exciter ring (Wabco)	21213033	21213033	21213316	21213316
3	Sensor bracket (Antiskid)	21209522	21209522	21209516	21209516
4	Sensor bracket (Wabco)	21213035	21213035	21213035	21213035
5	Sensor (Antiskid)	21209517	21209517	21209517	21209517
6	Sensor (Wabco)	21213034	21213034	21213034	21213034
7	Screw, sensor attach	21209518	21209518	21209518	21209518
8	Locknut, sensor attach	21209519	21209519	21209519	21209519
9	Screw, exciter attach	99508001	99508001		
10	Cable tie	21221065	21221065	21221065	21221065
11	Spring bush (Wabco)	21213036	21213036	21213036	21213036
12	Grommet	21220842	21220842	21220842	21220842
13	Sensor bracket (Wabco) – for Kenton type beams	21223090	21223090	21223090	21223090

- 1
LM & LC
- 2
TA & TC
- 3
TE
- 4
TM**
- 5
STEERING AXLES
- 6
FLEXAIR FLEXLITE
- 7
INDAIR
- 8
SMT
- 9
AXL KITS

TM PARTS LIST

TM DX195 HUB, DISC AND ABS ASSEMBLY

- 1
LM & LC
- 2
TA & TC
- 3
TE
- 4
TM
- 5
STEERING AXLES
- 6
FLEXAIR FLEXLITE
- 7
INDAI
- 8
SMT
- 9
AXL KITS



TM PARTS LIST

TM DX195 HUB, DISC AND ABS ASSEMBLY



Item	Description	Part Number
1	Screw, hub cap	99520005
2	Hub cap – grease filled	21202627
3	Hub cap – hubodometer	21202627A
4	Gasket, hub cap	21211378
5	Lock nut	21210819
6	Lock washer	21020818
7	Bearing adjustment nut	21205571
8	Outer bearing	99041045S
9	Inner bearing	99041035S
10	Oil seal	21200321A
11	TM Hub assembly*	14224262
12	Brake disc	21224263
13	Brake disc retaining screw	99539001
14	Wheel nut, steel / aluminium wheel	21226395
14A	Wheel nut, steel / aluminium wheel, capped	21226397
15	Wheel bolt, steel wheel	21224456
15	Wheel bolt, aluminium wheel / twin steel	21224957
16	Pole wheel assembly	21224458
17	Sensor bracket (from June 2000)	21226429
17A	Sensor block (pre June 2000)	21213035
18	Spring clip	21213036
19	Sensor	21213034
20	Screw, sensor bracket (from June 2000)	99543002

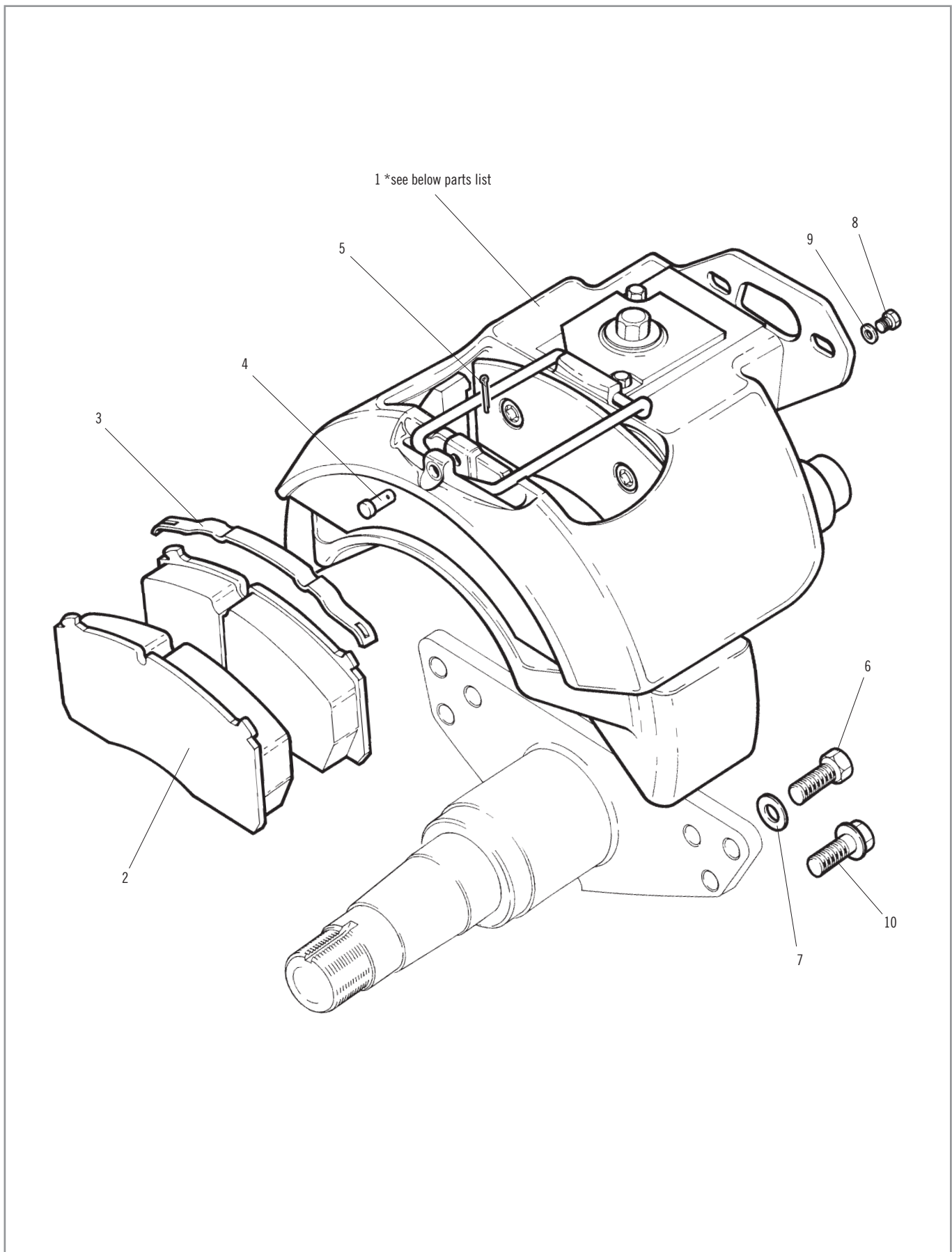
* Does not contain items 5, 6 & 7

- 1
LM & LC
- 2
TA & TC
- 3
TE
- 4
TM
- 5
STEERING AXLES
- 6
FLEXAIR FLEXLITE
- 7
INDAIR
- 8
SMT
- 9
AXL KITS

TM PARTS LIST

DX195 BRAKE ASSEMBLY

- 1
LM & LC
- 2
TA & TC
- 3
TE
- 4
TM
- 5
STEERING AXLES
- 6
FLEXAIR
FLEXLITE
- 7
INDAI
- 8
SMT
- 9
AXL KITS



TM PARTS LIST

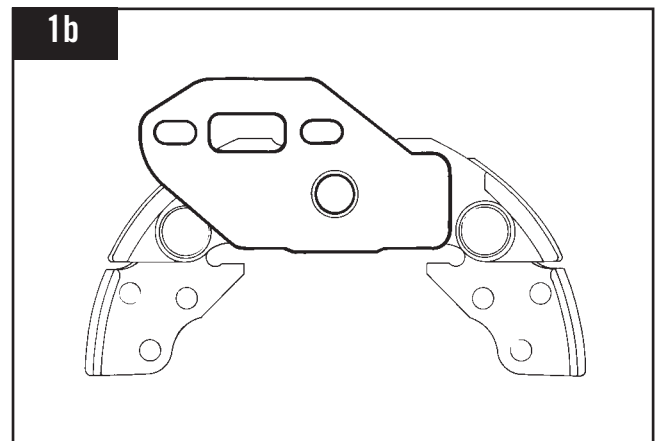
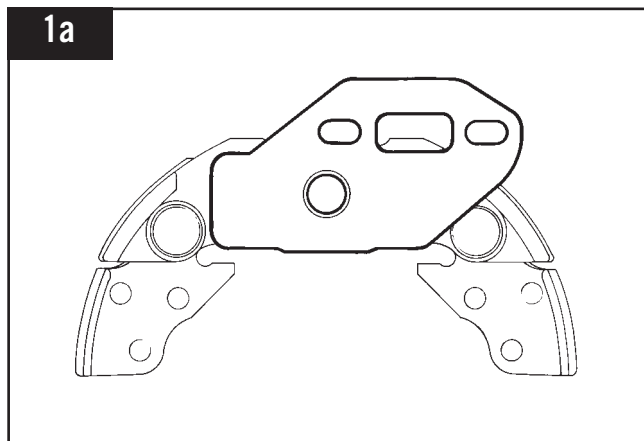
DX195 BRAKE ASSEMBLY



Item	Description	Part Number
1a	Brake assembly DX195 25, 33 & 51 (service exchange), LH	15224836SR
1b	Brake assembly DX195 26, 34 & 52 (service exchange), RH	15224837SR
2	Brake pad kit	MDP5076
3	Spring pad**	—
4	Retaining pin**	—
5	Split pin**	—
6	M16 x 45 Caliper mounting bolt	21224908
7	Hardened washer	21224978
8	Plug**	—
9	Retaining washer**	—
10	M16 x 45 Caliper flanged mounting bolt – replaces items 6 & 7 from July 2001	21227146
11	Stabiliser bar	2297J6692
12	Disc brake adjuster kit, LH (not shown)	MCK1290
13	Disc brake adjuster kit, RH (not shown)	MCK1291
14	Disc brake adjuster sleeve & thrust plate kit, LH (not shown)	MCK1292
15	Disc brake adjuster sleeve & thrust plate kit, RH (not shown)	MCK1293
16	Pad fitting kit (not shown)	MBA100
17	Pad wear indicator kit (not shown)	MBA1050
18	Guide pin & seal kit (not shown)	MCK1171
19	Eccentric shaft seal kit (not shown)	MCK1168
20	Seal kit (not shown)	MCK1192

** All contained in service kit AXL 140

* Brake Assembly Rear View



DX195 Caliper Part Number Cross Reference

Caliper	Part Number
DX195-45 with 90mm lever & pads	15224836SR (no pads/levers)
DX195-46 with 90mm lever & pads	15224837SR (no pads/levers)
DX195-47 with 80mm lever & pads	15224836SR (no pads/levers)
DX195-48 with 80mm lever & pads	15224837SR (no pads/levers)
DX195-51 (Aftermarket part numbers) – replaces DX195-33	15224836SR (no pads/levers)
DX195-52 (Aftermarket part numbers) – replaces DX195-34	15224837SR (no pads/levers)

1
LM & LC

2
TA & TC

3
TE

4
TM

5
STEERING
AXLES

6
FLEXAIR
FLEXLITE

7
INDAIR

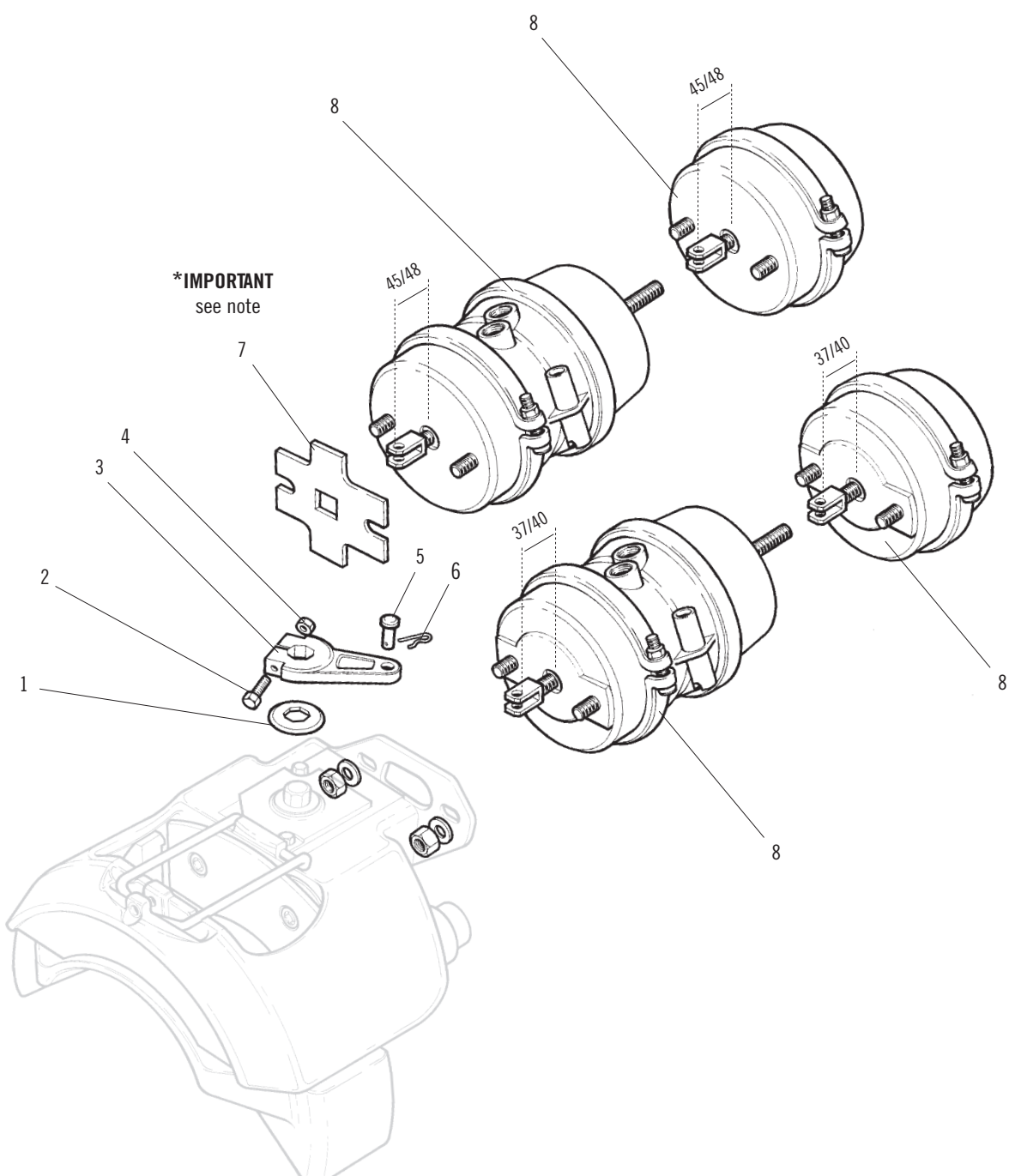
8
SMT

9
AXL KITS

TM PARTS LIST

DX195 ACTUATION AND AIR CHAMBERS

- 1 LM & LC
- 2 TA & TC
- 3 TE
- 4 **TM**
- 5 STEERING AXLES
- 6 FLEXAIR FLEXLITE
- 7 INDAL
- 8 SMT
- 9 AXL KITS



* Part No.7. MUST BE USED on air chambers with a caged, air off, push rod length of 45/48mm, measured from the mounting face of the chamber to the centre of the clevis pin hole.

Later models of brake chamber with 37/40mm pushrod length have a formed front housing and MUST NOT be fitted with the spacer plate

TM PARTS LIST

DX195 ACTUATION AND AIR CHAMBERS



Item	Description	Part Number	
1	Lever boot	1205X2572	
2	Clamp bolt M8 x 60	MS208060Z1	
3	Lever 80mm	MCK1160	
3	Lever 90mm	MCK1161	
4	Nut M8	MNL208Z1	
5	Clevis pin	21224985	
6	R-Clip	21224996	
Item	Description	Part Number 45/48mm	Part Number 37/40mm
7*	Spacer plate	21224995	None
8	T 24/24	41225763	41225763**
8	T 22/24	41225764	41225764
8	T 20/24	41225765	41225765
8	T 18/24	41225766	41225766
8	T 24	41225767	41225767
8	T 22	41225768	41225768
8	T 20	41225769	41225769
8	T 18	41224964	41225770

* Part No.7. Must be used on air chambers with a caged, air off, push rod length of 45/48mm. It must never be used on chambers with a caged push rod length of 37/40mm.

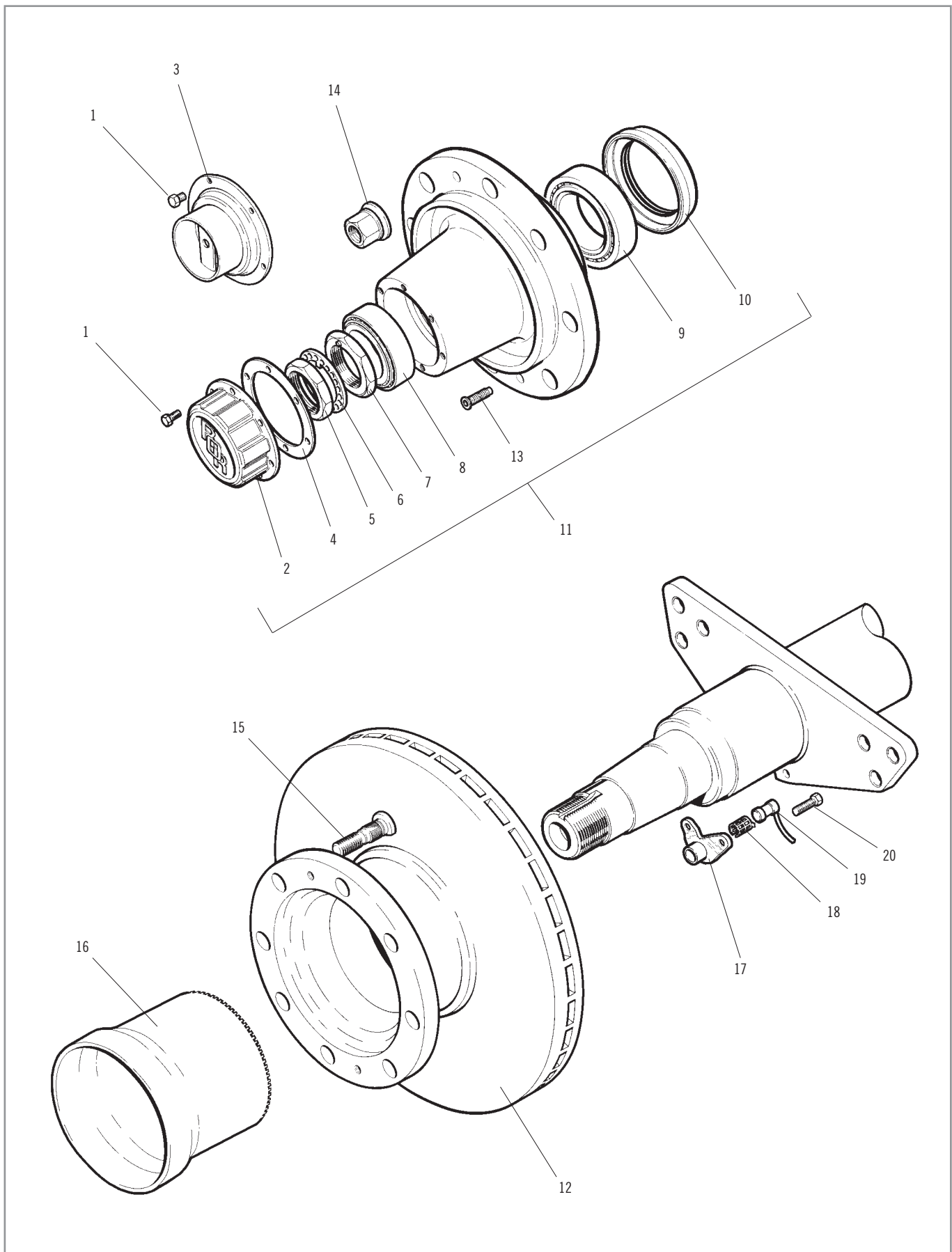
** In tandem applications the following chambers are used: 41227590 (RH) – 41227591(LH)

- 1 LM & LC
- 2 TA & TC
- 3 TE
- 4 TM
- 5 STEERING AXLES
- 6 FLEXAIR FLEXLITE
- 7 INDAIR
- 8 SMT
- 9 AXL KITS

TM PARTS LIST

TM ELSA 195 HUB, DISC AND ABS ASSEMBLY

- 1
LM & LC
- 2
TA & TC
- 3
TE
- 4
TM
- 5
STEERING AXLES
- 6
FLEXAIR FLEXLITE
- 7
INDAI
- 8
SMT
- 9
AXL KITS



TM PARTS LIST

TM ELSA 195 HUB, DISC AND ABS ASSEMBLY



Item	Description	Part Number
1	Screw, hub cap	99543001
2	Hub cap – grease filled	21202627
3	Hub cap – hubodometer	21202627A
4	Gasket, hub cap	21211378
5	Lock nut	21210819
6	Lock washer	21020818
7	Bearing adjustment nut	21205571
8	Outer bearing	99041045S
9	Inner bearing	99041035S
10	Oil seal	21200321A
11	TM Hub assembly*	14224262
12	Brake disc	21224263
12A	Brake disc – integrated pole wheel (not shown)	MBR9014
13	Brake disc retaining screw	99539001
14	Wheel nut	21226395
15	Wheel bolt	21224957
16	Pole wheel assembly	21224458
17	Sensor block	21228715
18	Spring clip	21213036
19	Sensor	21213034
20	Screw, sensor bracket	99543002

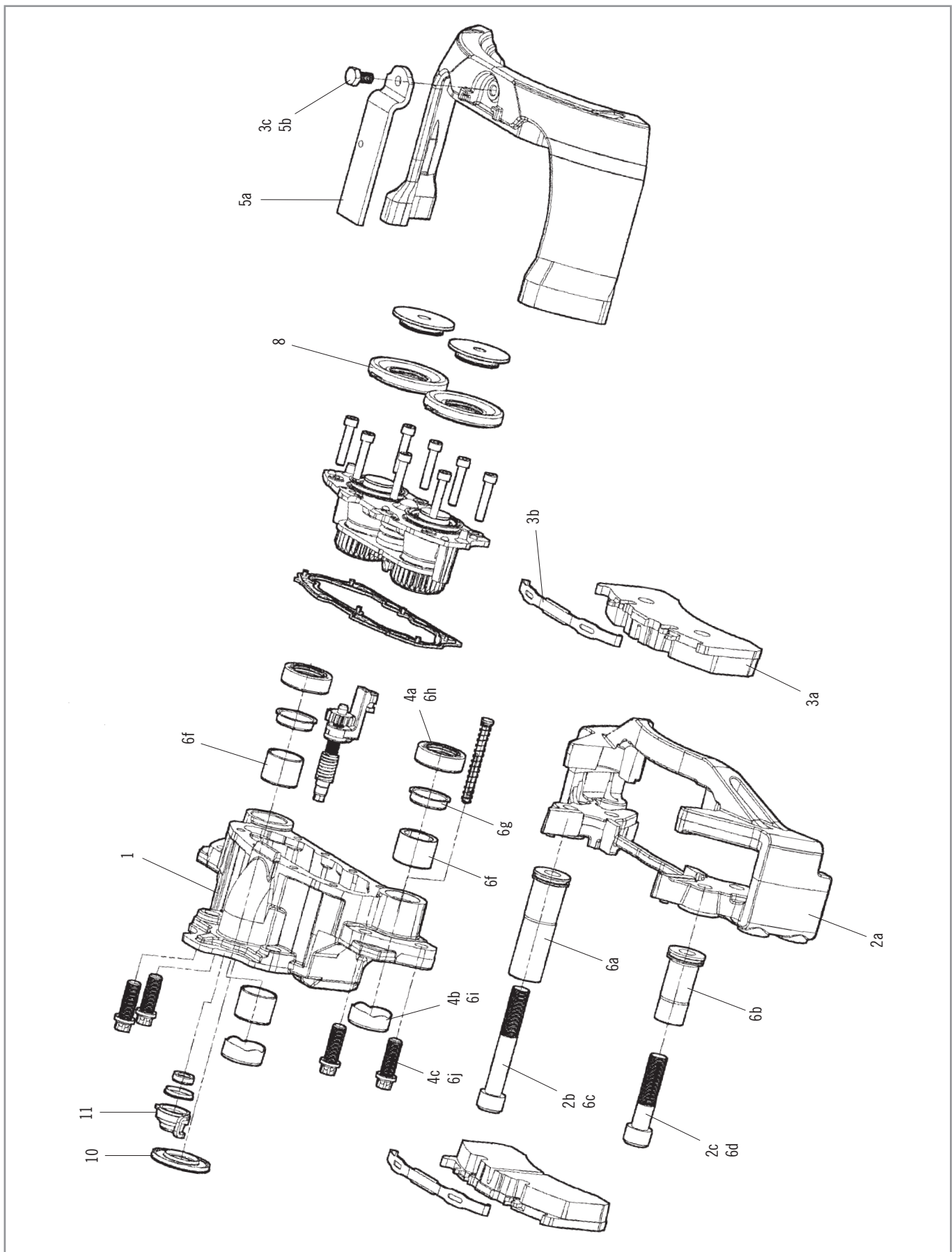
* Does not include items 5 or 6

- 1
LM & LC
- 2
TA & TC
- 3
TE
- 4
TM
- 5
STEERING AXLES
- 6
FLEXAIR FLEXLITE
- 7
INDAIR
- 8
SMT
- 9
AXL KITS

TM PARTS LIST

ELSA 195 BRAKE ASSEMBLY

- 1
LM & LC
- 2
TA & TC
- 3
TE
- 4
TM
- 5
STEERING AXLES
- 6
FLEXAIR FLEXLITE
- 7
INDAI
- 8
SMT
- 9
AXL KITS



TM PARTS LIST

ELSA 195 BRAKE ASSEMBLY



Item	Description	Part Number
1	Service caliper, RH	LRG702
1	Service caliper, LH	LRG703
2a-2c	Carrier kit	MCK1252
3a-3c	Brake pad kit	MDP5093
4a-4c	Seal kit*	MCK1253
5a-5b	Pad retainer kit	MCK1174
6a-6j	Guide pin kit*	MCK1254
8	Piston head seal kit*	MCK1139
9	Pad wear warning indicator kit (not shown)	MBAKIT1051
10	Actuator seal	68323746PK10
11	Adjuster stem dust cover	68322655PK10
12	M18 x 50 Caliper flanged mounting bolt (not shown)	21227433

* includes grease (not shown)

- 1
LM & LC
- 2
TA & TC
- 3
TE
- 4
TM**
- 5
STEERING AXLES
- 6
FLEXAIR FLEXLITE
- 7
INDAIR
- 8
SMT
- 9
AXL KITS

TM PARTS LIST

ELSA 195 AIR CHAMBER ASSEMBLY

1

LM & LC

2

TA & TC

3

TE

4

TM

5

STEERING
AXLES

6

FLEXAIR
FLEXLITE

7

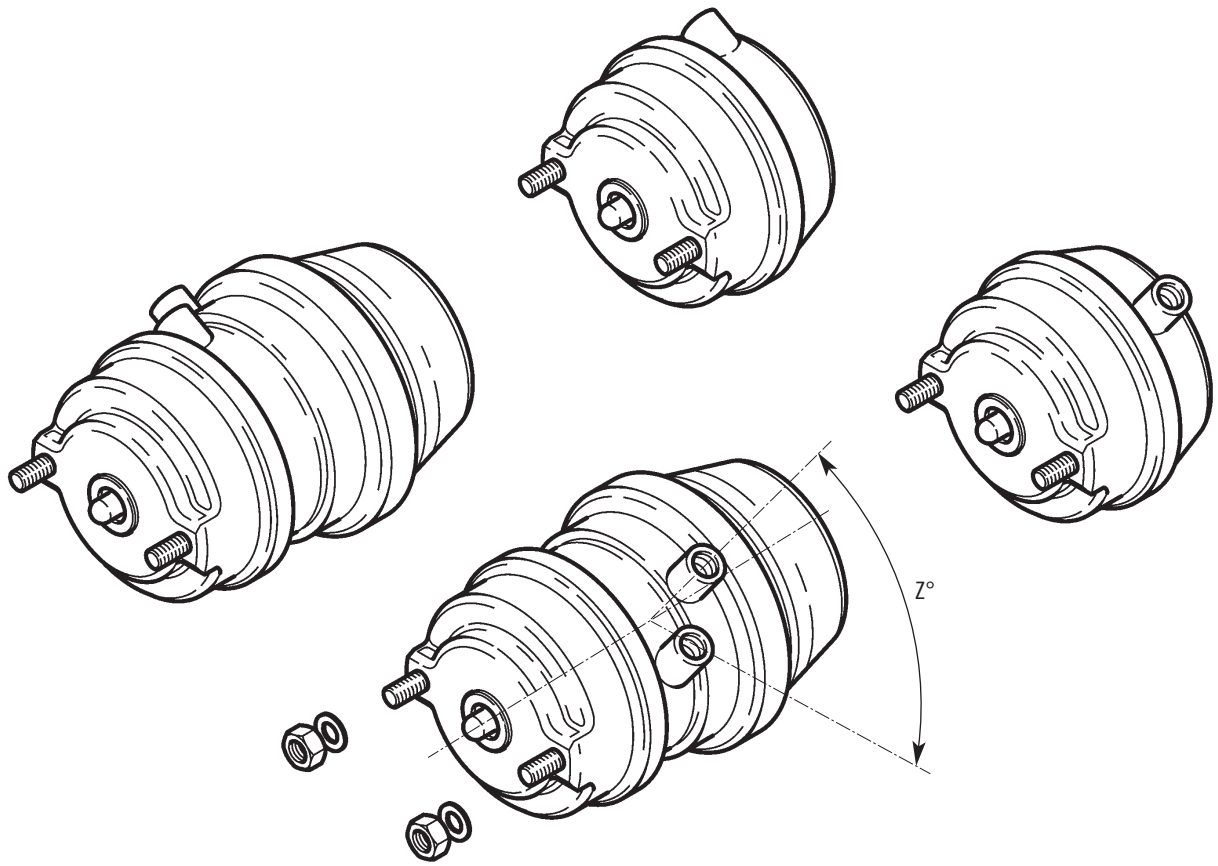
INDAI

8

SMT

9

AXL KITS



TM PARTS LIST

ELSA 195 AIR CHAMBER ASSEMBLY



Air chamber Type	Port orientation (angle Z°)	
	45°	135°
T14	41226792	41226793
T16	41226798	41226799
T18	41226804	41226805
T20	41226808	41226809
T22	41229265	41229266
T24	41229269	41229270
T27	41226822	41226823
T14/16	41226794	41226795
T14/24	41226796	41226797
T16/16	41226800	41226801
T16/24	41226802	41226803
T18/24	41226806	41226807
T20/24	41226810	41226811
T22/24	41229267	41229268
T24/24	41229271	41229272
T24/30	41226820	41226821
T27/30	41226824	41226825
T30/30	41226826	41226827

- 1 LM & LC
- 2 TA & TC
- 3 TE
- 4 **TM**
- 5 STEERING AXLES
- 6 FLEXAIR FLEXLITE
- 7 INDAIR
- 8 SMT
- 9 AXL KITS

TM PARTS LIST

TM AXLE ID

Identifying your Axle Type

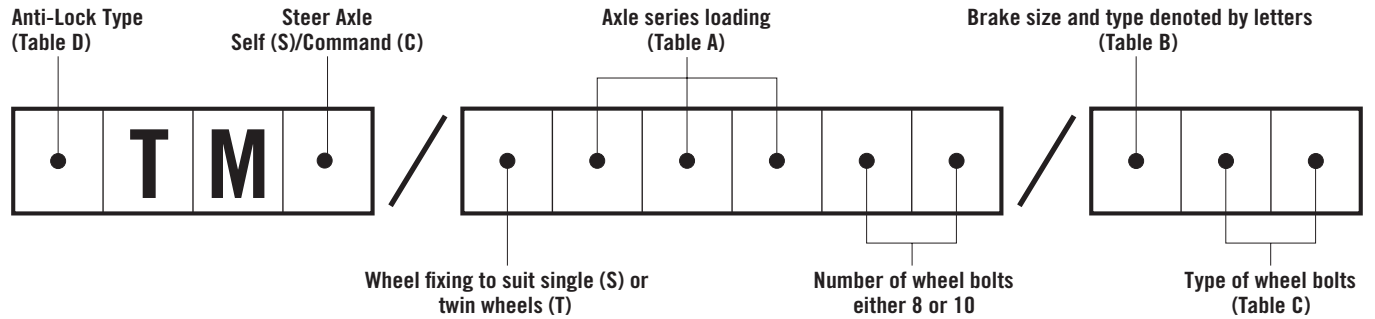


Table A – TM Loading – Standard and Low Loader

Axle Series	Nominal Highway Axle Rating kg	Maximum Offset mm
20,000	9,500	460
22,500	10,170	490
25,000	11,690	490

The axle ratings shown are for normal highway applications and any special application for installation must be approved by Meritor Design Engineering.

* NB: Offset = $\frac{\text{Track} - \text{spring centres}}{2}$

Table B – TM Brake Coding Chart

Axle Letter Code	Brake
AC	310mm x 190mm
B	350mm x 200mm
Q	420mm x 180mm
ZA	420mm x 200mm
Z	420mm x 220mm
AA	380mm x 180mm Stopmaster

Table C – TM Wheel Fixing Coding Chart

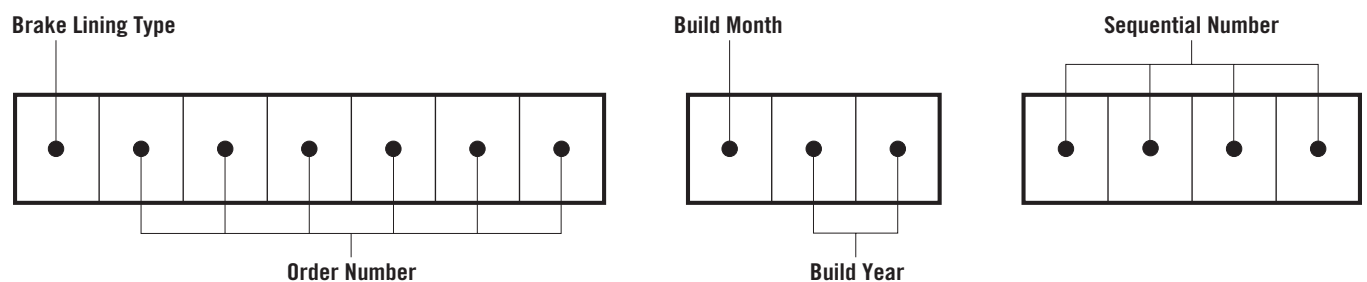
Axle Letter Code	Wheel Mounting
S	3/8" BSF (SMMT)
M	M22mm x 1.5mm metric (DIN)
J	'Trilex' type
MX	ISO 4107 type with M22mm x 1.5mm wheel bolts
MXA	ISO 4107 type with M22mm x 1.5mm wheel bolts for alloy wheels
B	Japanese M20 x 1.5mm

Table D – Type of Anti-lock Sensing

Axle Letter Code	Exciter Ring Type	Suitable For
A	60/45T Pressed Steel	Grau MGX2 & MGX2E Bendix MDR & MDRA
W	100/80T Solid Ring	Wabco Bosch Grau DGX & MGX100 Bendix AL-4T

Note: Please refer to relevant anti-lock manufacturers service manual for specific service and replacement instructions.

Identifying the Serial Number





1
LM & LC

2
TA & TC

3
TE

4
TM

5
STEERING
AXLES

6
FLEXAIR
FLEXLITE

7
INDAIR

8
SMT

9
AXL KITS



1

LM & LG

2

TA & TC

3

TE

4

TM

5

STEERING
AXLES

6

FLEXAIR
FLEXLITE

7

INDAI

8

SMT

9

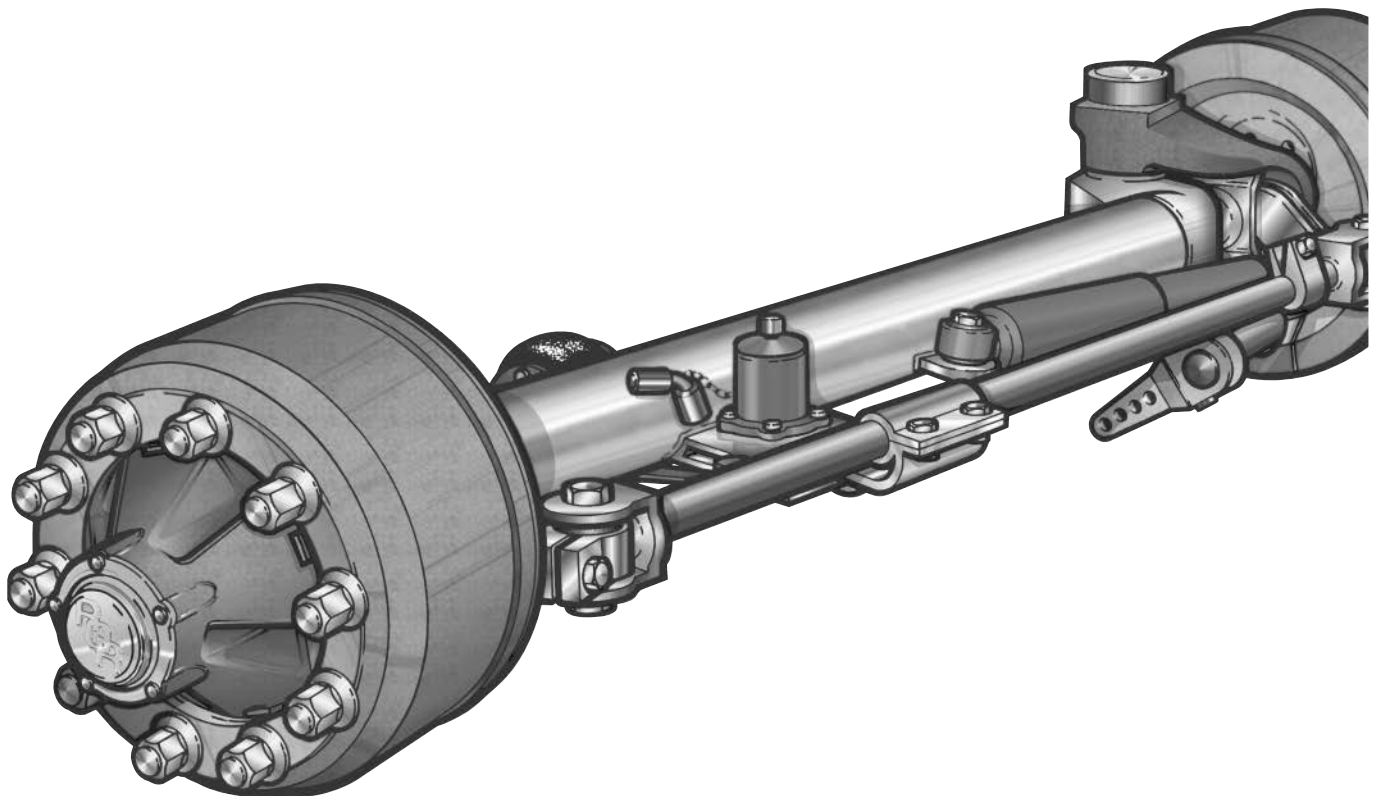
AXL KITS





MERITOR TRAILER PRODUCTS AXLE & BRAKE PARTS LIST

STEERING AXLES & TRACK ROD ENDS



1
LM & LC

2
TA & TC

3
TE

4
TM

5
STEERING
AXLES

6
FLEXAIR
FLEXLITE

7
INDAIR

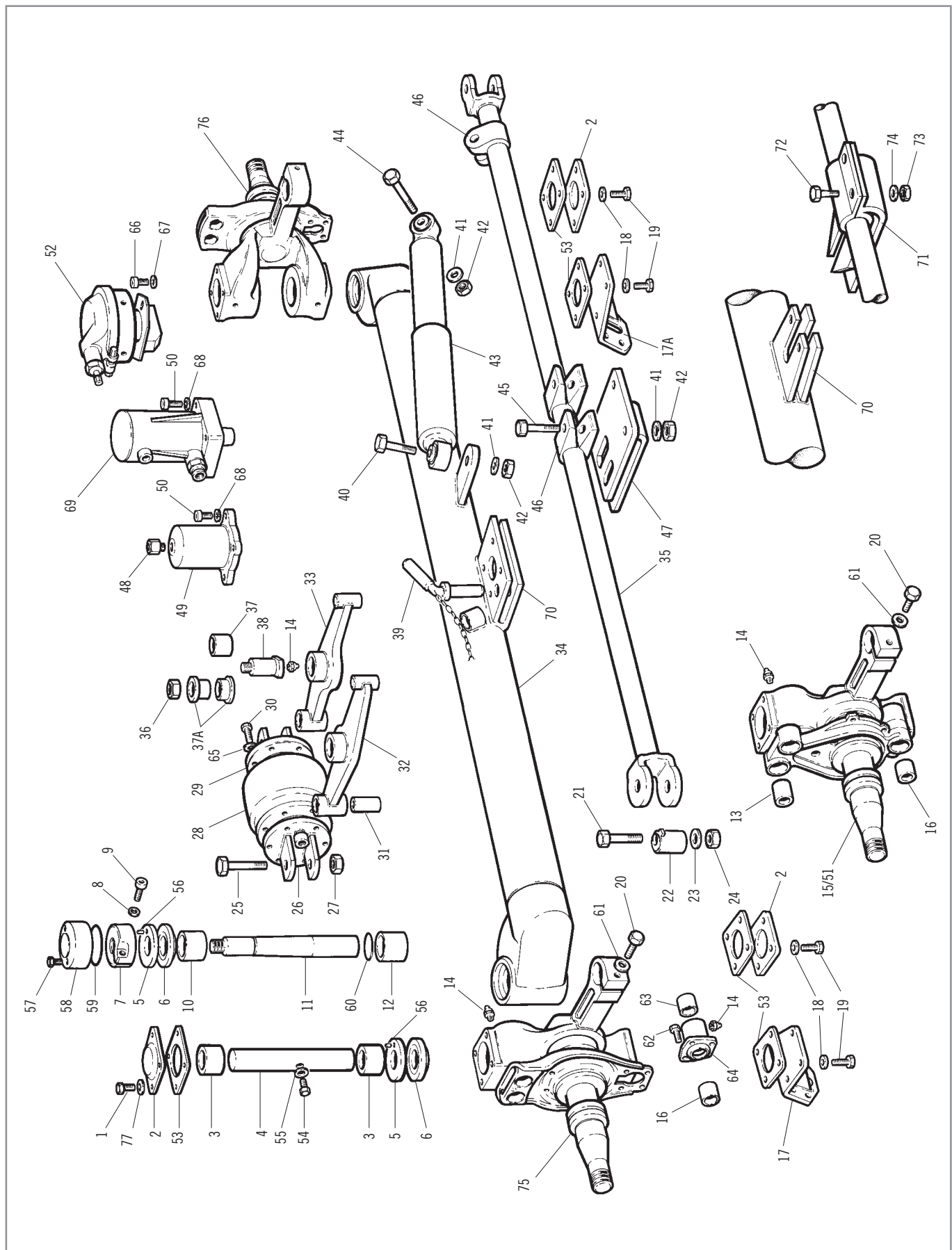
8
SMT

9
AXL KITS

STEERING AXLE PARTS LIST

TM SELF STEER

- 1 LM & LC
- 2 TA & TC
- 3 TE
- 4 TM
- 5 STEERING AXLES
- 6 FLEXAIR FLEXLITE
- 7 INDAL
- 8 SMT
- 9 AXL KITS



STEERING AXLE PARTS LIST

TM SELF STEER



Item	Description	6/7 Ton	7 Ton	TM20000 TM22500	TM25000	TM20/22500 Twin Shock Absorber
1	Screw, M10 x 16	21212400	21212400	21212400	21212400	21212400
2	Cover	21212401	21212592	21212401	21223348	21212401
3	Bush – king pin, bronze	21212413	–	–	–	21223340
4	King pin – parallel	21212403	–	–	–	21212477
5	King pin washer set	21212404	21212579	21223379	21212457	21212404
6	King pin washer set	21212405	21212580	21223379	21212458	21212405
7	Adjusting nut – king pin	–	21212581	21212453	21212483	–
8	Spring washer	–	21212454	21212454	21212454	–
9	Screw, M10 x 35	–	21212455	21212455	21212455	–
10	Bush – king pin, top	–	21212582	21212456	21212459	–
11	King pin – tapered	–	21212583	21212412	21212460	–
12	Bush – king pin, bottom	–	21212584	21212413	21212461	–
13	Bush – anchor pin	21221028	21221028	21221028	21221028	21221028
14	Grease nipple	21212415	21212415	21212415	21212415	21212415
15	Stub axle – LH series 1	21212416	–	21212418	21212462	21212475
16	Bush camshaft	21209990PK10	21209990PK10	21209990PK10	21209990PK10	21209990PK10
17	Air chamber bracket – LH standard	21212420L	21212587	21212547L	21212547L	21212547L
17A	Air chamber bracket – RH standard	21212420R	21212588	21212547R	21212547R	21212547R
17	Air chamber bracket – LH underslung	21212421L	–	21212531L	21212531L	21212531L
17A	Air chamber bracket – RH underslung	21212421R	–	21212531R	21212531R	21212531R
18	Spring washer	21212422	21212422	21212422	21212422	21212422
19	Screw, M10 x 25	21212423	21212423	21212423	21212423	21212423
20	Screw, M16 x 60	21212424	21212424	21212424	21212424	21212424
21	Screw	21212445	21212445	21212445	21212425	21212445
22	Rubber bush	21212489	21212489	21212489	21212426	21212489
23	Spring washer	21212492	21212492	21212492	21212427	21212492
24	Nut	21212444	21212444	21212444	21212428	21212444
25	Screw, M16 x 100	21212429	21212429	21212429	21212429	–
26	Disc – air bellows c/w air connection	21212551	21212551	21212551	21212551	–
27	Locknut	21212430	21212430	21212430	21212430	–
28	Torpress – air bellows	21212549	21212549	21212549	21212549	–
29	Disc – air bellows	21212431	21212431	21212431	21212431	–
30	Screw, M8 x 16	21212432	21212432	21212432	21212432	–
31	Bush	21212433	21212433	21212433	21212433	–
32	Air bellows arm – LH	21212552L	21212552L	21212552L	21212552L	–
33	Air bellows arm – RH	21212552R	21212552R	21212552R	21212552R	–
34	Axle beam			specify serial number & track length		
35	Track rod			specify serial number & track length		
36	Locknut	21212438	21212438	21212438	21212438	–
37	Bush			see item 37A		–
37A	Bush	21212594	21212594	21212594	21212594	–
38	Anchor pin – air bellows	21212440	21212440	21212440	21212440	–
39	Locking pin	21212441	21212441	21212441	21212441	21212441
40	Screw, M20 x 80	21212442	21212442	21212442	21212442	21212442
41	Spring washer	21212443	21212443	21212443	21212443	21212443
42	Nut	21212444	21212444	21212444	21212444	21212444
43	Shock absorber	21212534	21212534	21212534	21212534	21212469
44	Screw, M20 x 130	21212445	21212445	21212445	21212445	21212445
45	Screw, M20 x 100	21212446	21212446	21212446	21212446	21212446
46	Coupling plate	21212447	21212447	21212447	21212447	21212447
47	Locking plate	21225634	21223370	21223371	21223371	21212479
48	Air pipe	21212449	21212449	21212449	21212449	–
49	Locking cylinder – complete	21212550	21212550	21212550	21212550	–
50	Screw, M10 x 25	21212450	21212450	21212450	21212450	–
51	Stub axle – RH series 1	21212451	–	21212419	21212465	21212474
52	Locking chamber 9"	21223339	21223339	–	–	21223339
53	Gasket	21212560	21212590	21212560	21212598	21212560
54	Screw – king pin, M14 x 30	21223321	–	–	–	21223321
55	Washer, Ø14	21223322	–	–	–	21223322
56	Roll pin	21212591	21212591	21212561	21212561	21212591
57	Screw, M6 x 14	–	21212485	21212485	21212485	–
58	Dust cap	–	21212576	21212484	21212599	–
59	'O' ring, Ø80	–	21212577	21212486	21212486	–
60	'O' ring	–	21212578	21212548	21223323	–
61	Washer	21212562	21212562	21212562	21212562	21212562
62	Screw	99546002PK10	99546002PK10	99546002PK10	99546002PK10	99546002PK10
63	Bush	21204703	21204703	21204703	21204703	21204703
64	Camshaft support	21222568	21222568	21222568	21222568	21222568
65	Washer, Ø8	21212564	21212564	21212564	21212564	–
66	Screw, M10 x 16	21212400	21212400	–	–	21212400
67	Washer, Ø10	21212422	21212422	–	–	21212422
68	Washer, Ø10	–	–	21212422	21212422	–
69	Locking cylinder inverted (tandem applications)	–	–	21212490	21212490	–
70	Locking plate			specify type		
71	Locking plate			specify type		
72	Screw, M12 x 45	21212565	21212565	21212565	21212565	21212565
73	Nut, M12	21212567	21212567	21212567	21212567	21212567
74	Washer, Ø12	21212566	21212566	21212566	21212566	21212566
75	Stub axle – LH series 2	21222331	21212585	21223319	21223324	–
76	Stub axle – RH series 2	21222332	21212586	21223320	21223325	–
77	Washer, Ø10	21212563	–	–	–	21212563

1 LM & LC

2 TA & TC

3 TE

4 TM

5 STEERING AXLES

6 FLEXAIR FLEXLITE

7 INDAIR

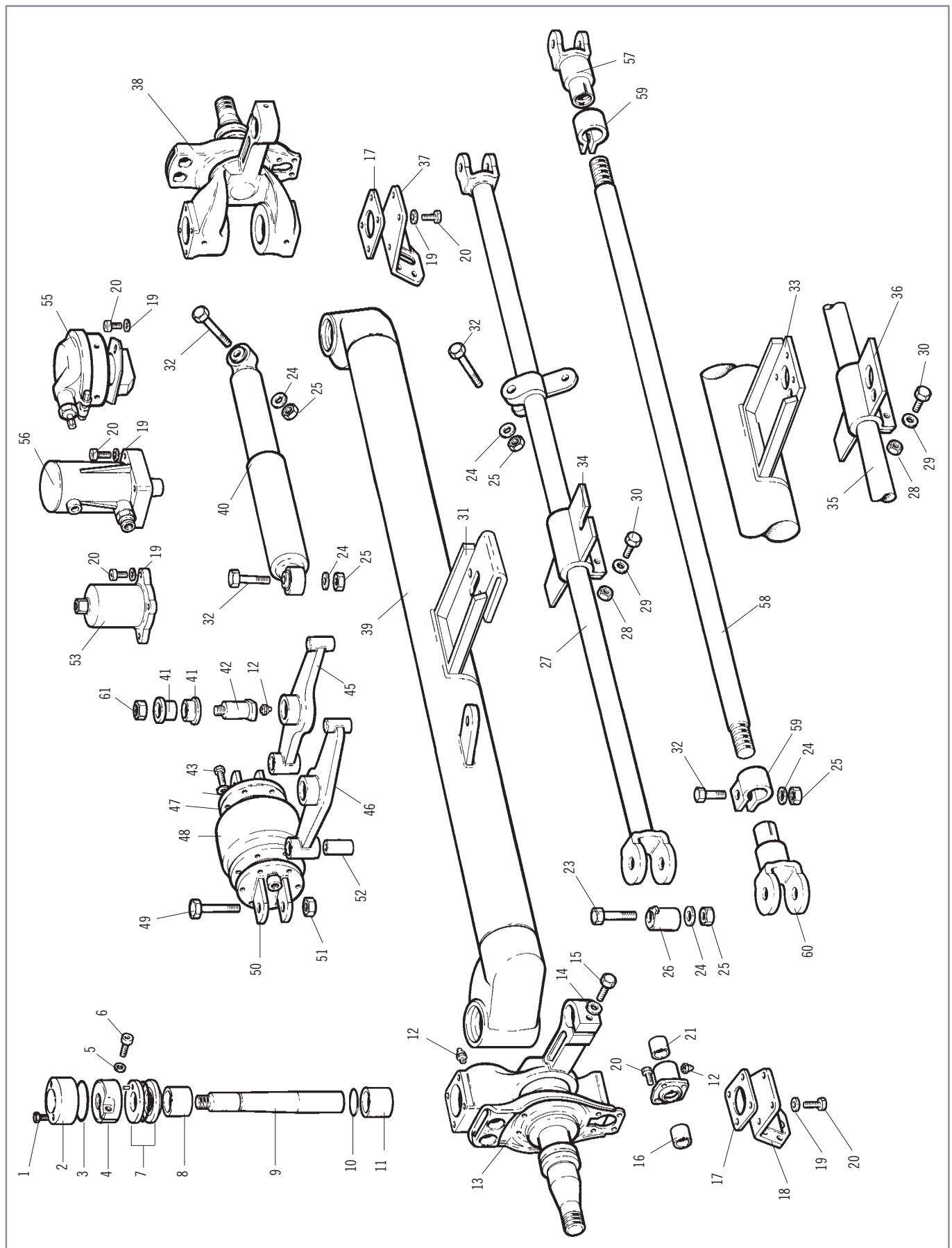
8 SMT

9 AXL KITS

STEERING AXLE PARTS LIST

UNIVERSAL SELF STEER

- 1
LM & LC
- 2
TA & TC
- 3
TE
- 4
TM
- 5
STEERING AXLES
- 6
FLEXAIR
FLEXLITE
- 7
INDAI
- 8
SMT
- 9
AXL KITS



STEERING AXLE PARTS LIST

UNIVERSAL SELF STEER



Item	Description	LM	TM 420 x 180 10T	TM 420 x 180 12T	TM 420 x 220 10T	TM 420 x 220 12T
1	Dust cap screw, self-tapping, M6 x 15	21212485	21212485	21212485	21212485	21212485
2	Dust cap	21212484	21212484	21212599	21212484	21212599
3	'O' ring, Ø79.77 x 5.33	21212486	21212486	21212486	21212486	21212486
4	Adjusting nut – king pin	21212453	21212453	21212483	21212453	21212483
5	Spring washer	21212454	21212454	21212454	21212454	21212454
6	Screw, M10 x 40	21212487	21212487	21212487	21212487	21212487
7	Spacer shims – complete with pin	21223379	21223379	21223380	21223379	21223380
8	Top bush (king pin), bronze	21212456	21212456	21212459	21212456	21212459
9	King pin	21212412	21212412	21212460	21212412	21212460
10	'O' ring	21212548	21212548	21223323	21212548	21223323
11	Bottom bush (king pin), bronze	21212413	21212413	21212461	21212413	21212461
12	Grease nipple	21212415	21212415	21212415	21212415	21212415
13	Stub axle – LH complete	21225608	21225610	21225612	21225610	21225612
14	Spring washer, Ø16	21212562	21212562	21212562	21212562	21212562
15	Screw, M16 x 55	21212424	21212424	21212424	21212424	21212424
16	Bush (bronze) – camshaft	21209990PK10	21209990PK10	21209990PK10	21209990PK10	21209990PK10
17	Gasket	21212560	21212560	21212598	21212560	21212598
18	Air chamber bracket – LH, right hand lever	21225639	21225639	21225641	21225643	21225645
18a	Air chamber bracket – LH, lever, radius 38	–	21225616	21225647	21225649	21225651
19	Spring washer, Ø10	21212422	21212422	21212422	21212422	21212422
20	Screw, M10 x 25	21212423	21212423	21212423	21212423	21212423
21	Bush (bronze) – camshaft	21204703	21204703	21204703	21204703	21204703
22	Camshaft support	21222568	21222568	21222568	21222568	21222568
23	Screw, M20 x 130	21212445	21212445	–	21212445	–
23a	Screw, M22 x 130	–	–	21212425	–	21212425
23b	Screw, M20 x 140	21212491	21212491	21212491	21212491	21212491
24	Spring washer, Ø20	21212492	21212492	21212492	21212492	21212492
24a	Spring washer, Ø22	–	–	21212427	–	21212427
25	Locknut, M20	21212444	21212444	21212444	21212444	21212444
25a	Locknut, M22	–	–	21212428	–	21212448
26	Eccentric rubber bush, Ø20	21212489	21212489	–	21212489	–
26a	Eccentric rubber bush, Ø22	–	–	21212426	–	21212426
26b	Eccentric rubber bush, Ø20 (threaded rod)	21212489	21212489	21212489	21212489	21212489
27*	Track rod c/w locking plate – locking cylinder, 9”	21225637	21225637	21225637	21225637	21225637
28	Locknut, M12	21212567	21212567	21212567	21212567	21212567
29	Spring washer, Ø12	21212566	21212566	21212566	21212566	21212566
30	Screw, M12 x 40	21225617	21225617	21225617	21225617	21245617
31	Mounting bracket – locking cylinder, 9”	21225618	21225618	21225618	21225618	21225618
32	Screw, M20 x 90	21225607	21225607	21225607	21225607	21225607
33	Mounting bracket – locking cylinder	21225619	21225619	21225619	21225619	21225619
34	Locking plate – locking cylinder, 9”	21225620	21225620	21225620	21225620	21225620
35*	Track rod c/w locking plate	21225652	21225652	21225652	21225652	21225652
36	Locking plate – locking cylinder	21225621	21225621	21225621	21225621	21225621
37	Air chamber bracket – RH, right hand lever	21225638	21225638	21225640	21225642	21225644
37a	Air chamber bracket – RH, lever, radius 38	–	21225615	21225646	21225648	21225650
38	Stub axle – RH complete	21225609	21225611	21225613	21225611	21225613
39*	Axle beam (bare)	21225622	21225624	21225625	21225624	21225625
40	Shock absorber	21223345	21223345	21223345	21223345	21223345
41	Anchor pin bush – air bellows	21212594	21212594	21212594	21212594	21212594
42	Anchor pin – air bellows	21212440	21212440	21212440	21212440	21212440
43	Locknut, M8	21225626	21225626	21225626	21225626	21225626
44	Spring washer, Ø8	21212564	21212564	21212564	21212564	21212564
45	Air bellows arm – RH	21212552R	21212552R	21212552R	21212552R	21212552R
46	Air bellows arm – LH	21212552L	21212552L	21212552L	21212552L	21212552L
47	Disc – air bellows RH	21212431	21212431	21212431	21212431	21212431
48	Air bellows – torpress 110	21212549	21212549	21212549	21212549	21212549
49	Screw, M16 x 100	21212429	21212429	21212429	21212429	21212429
50	Disc – air bellows LH c/w air connection	21212551	21212551	21212551	21212551	21212551
51	Locknut, M16	21212430	21212430	21212430	21212430	21212430
52	Bush – air bellows arm	21212433	21212433	21212433	21212433	21212433
53	Locking cylinder	21212550	21212550	21212550	21212550	21212550
54	Screw, M10 x 12	21225627	21225627	21225627	21225627	21225627
55	Locking cylinder, 9”	21223339	21223339	21223339	21223339	21223339
56	Vacuum locking cylinder	21212490	21212490	21212490	21212490	21212490
57	RH threaded clevis	21223398	21223398	21223398	21223398	21223398
58*	Track rod – threaded, complete	21225606	21225606	21225606	21225606	21225606
58a*	Track rod – threaded, Ø42	21212574	21212574	21212574	21212574	21212574
59	Clamp for clevis	21212447	21212447	21212447	21212447	21212447
60	Threaded clevis – LH	21223399	21223399	21223399	21223399	21223399
61	Locknut, M20	21212493	21212493	21212493	21212493	21212493

* Note: For items 27, 35, 58 and 58a: specify track and/or axle serial number
For item 39: specify track, locking mount or axle serial number

1
LM & LC

2
TA & TC

3
TE

4
TM

5
STEERING AXLES

6
FLEXAIR FLEXLITE

7
INDAIR

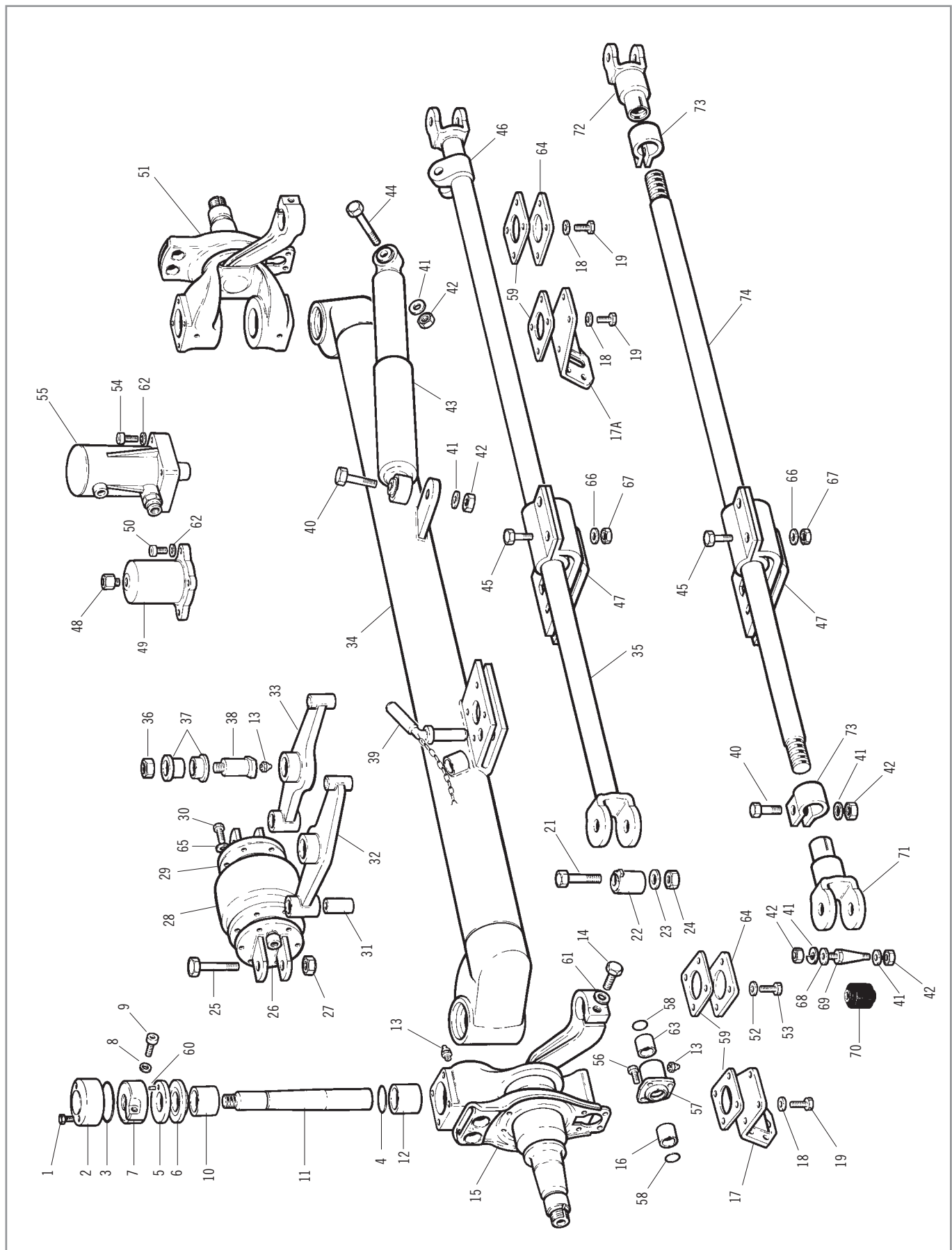
8
SMT

9
AXL KITS

STEERING AXLE PARTS LIST

TE SELF STEER

- 1 LM & LC
- 2 TA & TC
- 3 TE
- 4 TM
- 5 STEERING AXLES
- 6 FLEXAIR FLEXLITE
- 7 INDAL
- 8 SMT
- 9 AXL KITS



STEERING AXLE PARTS LIST

TE SELF STEER



Item	Description	Part Number
1	Service caliper, RH	LRG702
1	Screw, M6 x 14	21212485
2	Dust cover	21212484
3	'O' ring, Ø80	21212486
4	'O' ring, Ø60	21212458
5	King pin washer set	21223379
6	King pin washer set	21223379
7	Adjusting nut – king pin	21212453
8	Spring washer	21212454
9	Screw, M10 x 35	21212455
10	Bush – top	21212456
11	King pin – tapered	21212412
12	Bush – phos. bronze	21212413
13	Grease nipple	21212415
14	Screw, M16 x 60	21212424
15	Spindle complete – LH	21212557
16	Bush – camshaft	21209990PK10
17	Air chamber bracket LH	21212547L
17A	Air chamber bracket RH	21212547R
18	Spring washer	21212422
19	Screw, M10 x 25	21212423
21	Screw, M22 x 130	21212425
22	Rubber bush – eccentric	21212426
23	Spring washer, Ø22	21212427
24	Nut, M22	21212428
25	Screw, M16 x 100	21212429
26	Disc for air bellows LH	21212551
27	Locknut, M16	21212430
28	Torpress 110	21212549
29	Disc for air bellows RH	21212431
30	Screw, M8 x 16	21212432
31	Bush	21212433
32	Air bellows arm – LH	21212552L
33	Air bellows arm – RH	21212553R
34	Axle beam – specify serial number & track length	–
35	Track rod – specify serial number & track length	–
36	Locknut, M20	21212437
37	Bush	21212438
38	Anchor pin – air bellows	21212594
39	Manual locking pin	21212440
40	Screw, M20 x 80	21212441
41	Spring washer, Ø20	21212442
42	Nut, M20	21212443
43	Shock absorber	21212444
43A	Shock absorber	21212534
44	Screw, M20 x 130	21212575
45	Screw, M12 x 45	21212445
46	Coupling plate	21212447
47	Locking plate	21212448
48	Air pipe, M12 x 1	21212449
49	Locking cylinder	21212550
50	Screw, M10 x 25	21212450
51	Spindle complete – RH	21212556
52	Washer	21212563
53	Screw, M10 x 16	21212400
54	Screw, M10 x 30	21212559
55	Locking cylinder	21212490
56	Screw, self tapping M10	99546002PK10
57	Camshaft support	21222568
58	'O' ring	21016721
59	Gasket	21212560
60	Split roll pin	21212591
61	Washer, Ø16	21212562
62	Washer, Ø10	21212422
63	Bush – camshaft	21204703
64	Cover	21212401
65	Washer, Ø8	21212454
66	Spring washer, Ø12	21212566
67	Nut, M12	21212567
68	Washer	21212568
69	Conical pin	21212569
70	Rubber bush	21212570
71	Yoke end LH	21223398
72	Yoke end RH	21223399
73	Clamp	21212573
74	Track rod – threaded	21212574

1
LM & LC

2
TA & TC

3
TE

4
TM

5
STEERING AXLES

6
FLEXAIR FLEXLITE

7
INDAIR

8
SMT

9
AXL KITS

STEERING AXLE PARTS LIST

COMMAND STEER

1
LM & LC

2
TA & TC

3
TE

4
TM

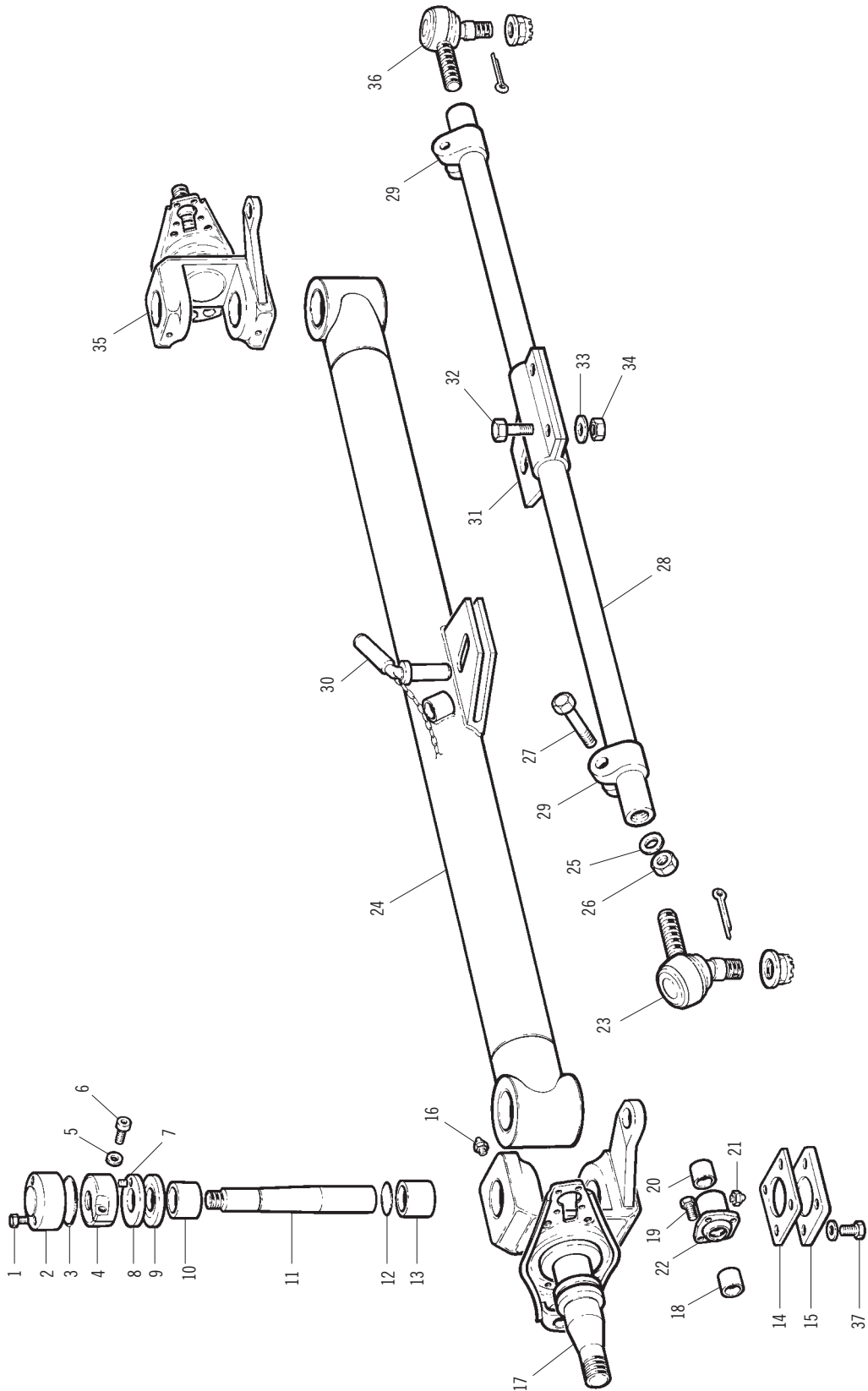
5
STEERING AXLES

6
FLEXAIR
FLEXLITE

7
INDAI

8
SMT

9
AXL KITS



STEERING AXLE PARTS LIST

COMMAND STEER



Item	Description	Part Number
1	Screw M6 x 14	21212485
2	Dust cap	21212599
3	'O' ring Ø80	21212486
4	Adjusting nut	21212483
5	Spring washer Ø10	21212454
6	Screw – M10 x 35	21212455
7	Spring pin	21212561
8	Top washer	21212457
9	Bottom washer	21212458
10	Bush – top king pin	21212459
11	King pin – tapered	21212460
12	'O' ring – king pin Ø70	21223323
13	Bush – bottom king pin	21212461
14	Gasket	21212598
15	Cover	21212599
16	Grease nipple	21212415
17	Spindle assy LH AC brake	21223308
17	Spindle assy LH B brake	21223310
17	Spindle assy LH Q brake	21223312
17	Spindle assy LH Z brake	21223314
18	Bush camshaft	21209990PK10
19	Screw	99520004
20	Bush	21204703
21	Grease nipple	21212415
22	Camshaft support	21222568
23	Knuckle track rod LH	21223306
24	Axle beam – specify track	21225655
25	Spring washer Ø20	21212443
26	Nut M20	21212444
27	Screw M20 x 80	21212442
28	Track rod – specify track	21223316
29	Clamp – track rod	21212573
30	Locking pin	21212441
31	Locking plate	21223318
32	Screw – M12x45	21212565
33	Washer Ø12	21212566
34	Nut M12	21212567
35	Spindle assy RH AC brake	21223309
35	Spindle assy RH B brake	21223311
35	Spindle assy RH Q brake	21223313
35	Spindle assy RH Z brake	21223315
36	Knuckle track rod RH	21223307
37	Screw – king pin cover M10 x 16	21212400

Items 30 to 34 inclusive are optional.

1
LM & LC

2
TA & TC

3
TE

4
TM

5
STEERING
AXLES

6
FLEXAIR
FLEXLITE

7
INDAIR

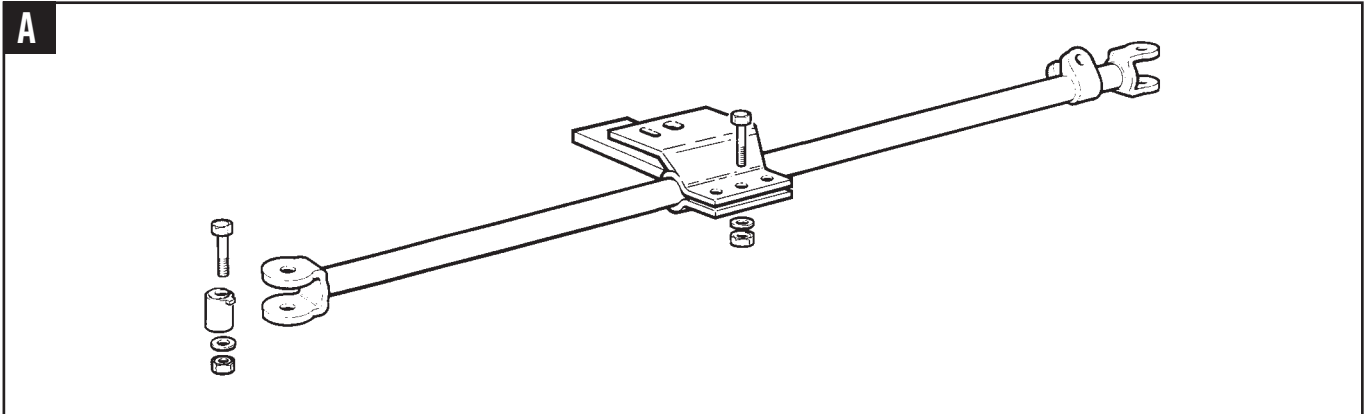
8
SMT

9
AXL KITS

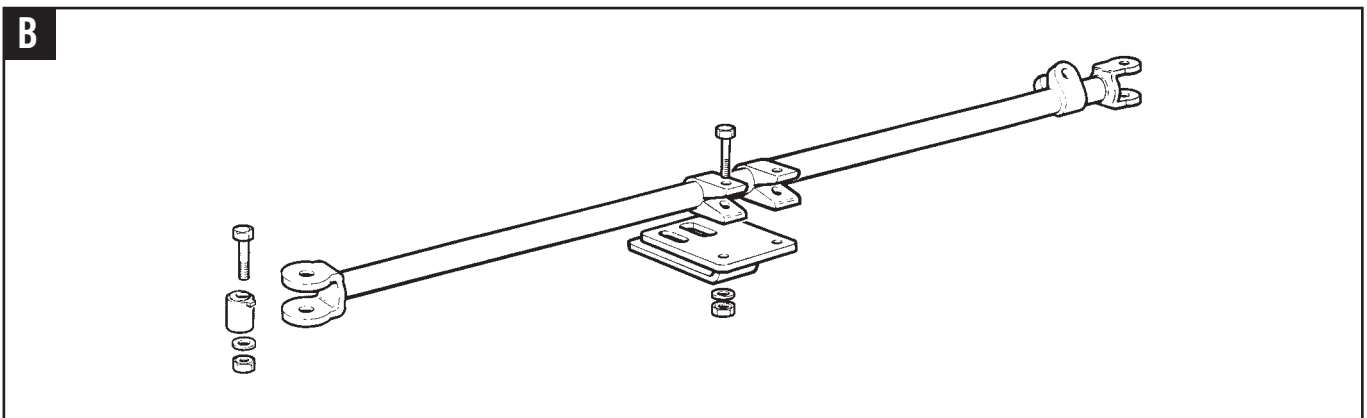
STEERING AXLE PARTS LIST

TRACK RODS

1
LM & LC



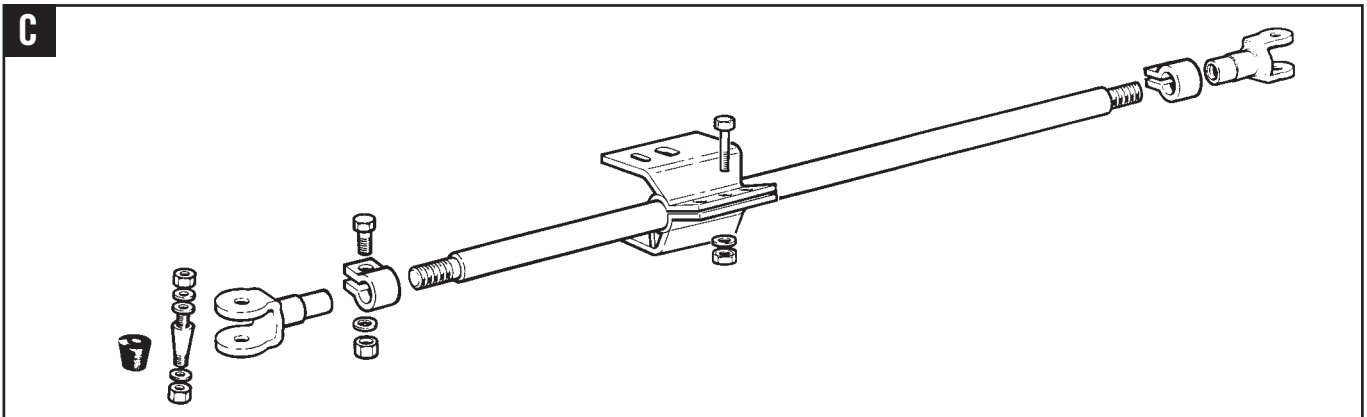
2
TA & TC



3
TE

4
TM

5
STEERING
AXLES



6
FLEXAIR
FLEXLITE

7
INDAI

8
SMT

9
AXL KITS

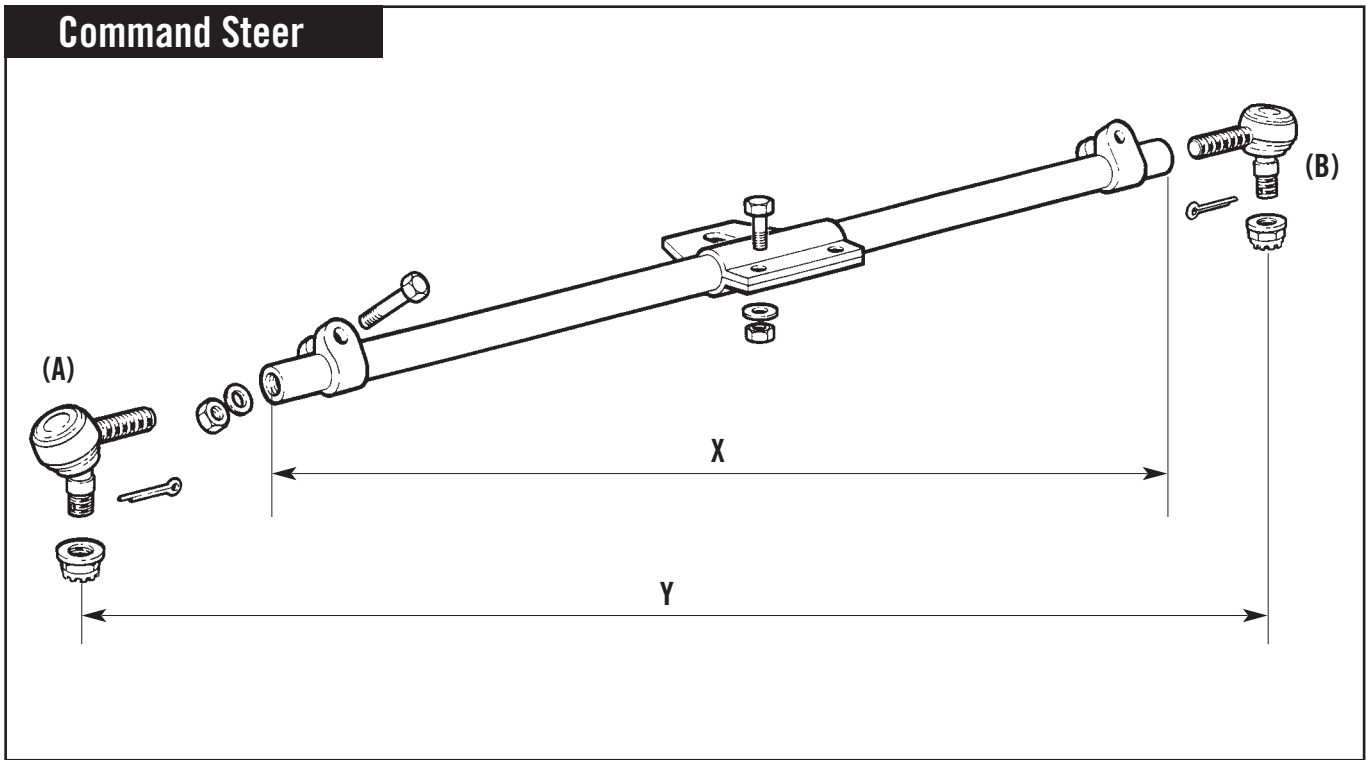
Part Number	Hole Centres	Axle Track	Axle Type
21223353	1394mm	2040mm	TE 12221212 A
21223354	1444mm	2090mm	TE 12221213 A
21223355	1504mm	2150mm	TE 96098536 A
21223356	1394mm	2040mm	TE 96098571 A
21223363	1394mm	2040mm	TE 96098573 C (Threaded)
21223358	1293mm	2045mm	TM 96109060 (PANDORO Special)
21223362	1293mm	2045mm	TM 96109061 (PANDORO) A
21223357	1333mm	2045mm	TM 12214384 / 96108573 B
21223361	1293mm	2045mm	TM 12218142 B
21223359	1168mm	1920mm	TM 12218747 (AC) B
21223360	1068mm	1820mm	TM 12218751 (AC) B
21223364	1133mm	1880mm	TM 12218129 (BMX) B

STEERING AXLE PARTS LIST

TRACK RODS

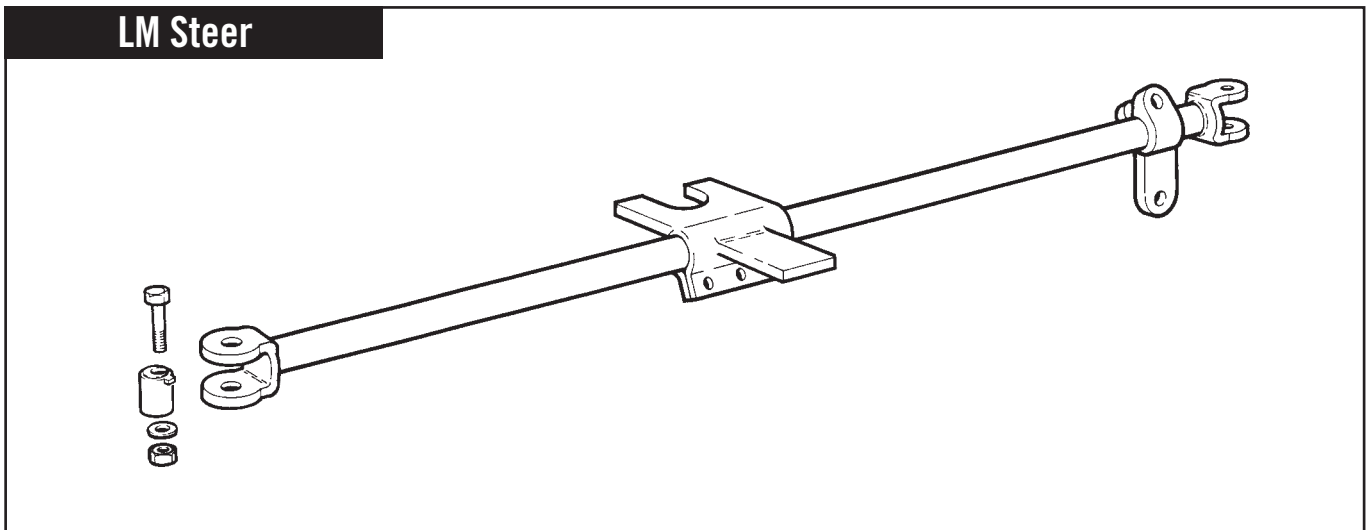


Command Steer



Part Number	Rod Centres	Tube Length	Axle Track	Axle Type
21223316 21223306 21223307	1380mm (Y)	1260mm (X)	2128	Command steer (A) Knuckle (LH) (B) Knuckle (RH)

LM Steer



Part Number	Hole Centres	Axle Track	Axle Type
21223367	1406mm	2045mm	LM A1620456001A
21223368	1456mm	2100mm	LM A1621006001A
21223369	1516mm	2150mm	LM A1621506001A

1
LM & LC

2
TA & TC

3
TE

4
TM

5
STEERING AXLES

6
FLEXAIR FLEXLITE

7
INDAIR

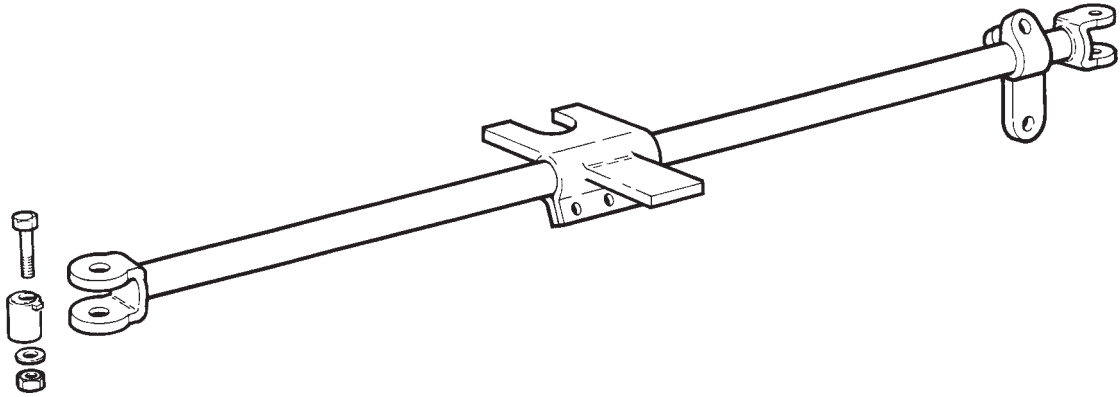
8
SMT

9
AXL KITS

STEERING AXLE PARTS LIST

TRACK RODS

TM Universal



Part Number	Hole Centres	Axle Track	Axle Type
21223382	1120	1820	GF004010013A
21223383	1150	1850	GF004010014A
21223384	1180	1880	GF004010015A
21223385	1220	1920	GF004010016A
21223386	1300	2000	GF004010017A
21223387	1345	2045	GF004010018A
21223388	1365	2065	GF004010019A
21223389	1428	2128	GF004010020A
21223390	1485	2185	GF004010021A
21223391	1085	1820	GF004010022A
21223392	1310	2045	GF004010023A
21223393	1330	2065	GF004010024A
21223394	1393	2128	GF004010025A

1

LM & LC

2

TA & TC

3

TE

4

TM

5

STEERING
AXLES

6

FLEXAIR
FLEXLITE

7

INDAI

8

SMT

9

AXL KITS



1
LM & LC

2
TA & TC

3
TE

4
TM

5
STEERING
AXLES

6
FLEXAIR
FLEXLITE

7
INDAIR

8
SMT

9
AXL KITS



1

LM & LG

2

TA & TC

3

TE

4

TM

5

STEERING
AXLES

6

FLEXAIR
FLEXLITE

7

INDAI

8

SMT

9

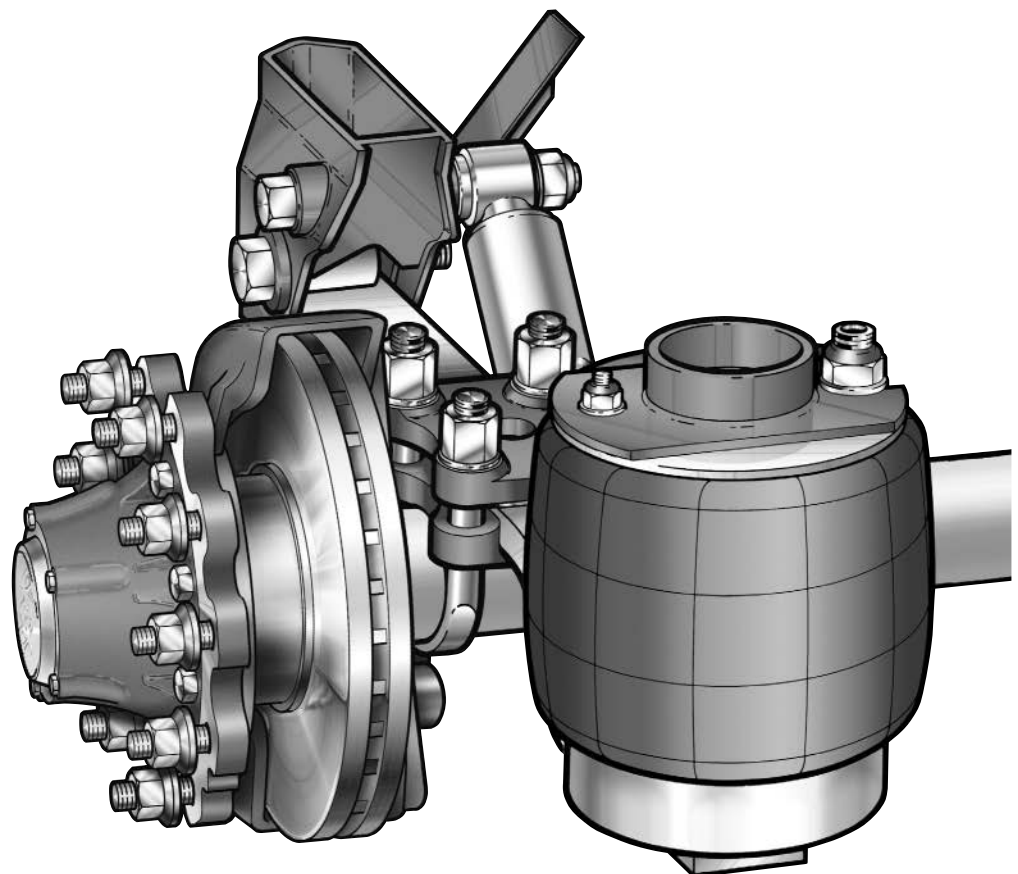
AXL KITS





MERITOR TRAILER PRODUCTS AIR SUSPENSION PARTS LIST

FLEXLITE XL9000
FLEXAIR FL9000
FLEXAIR FL11000

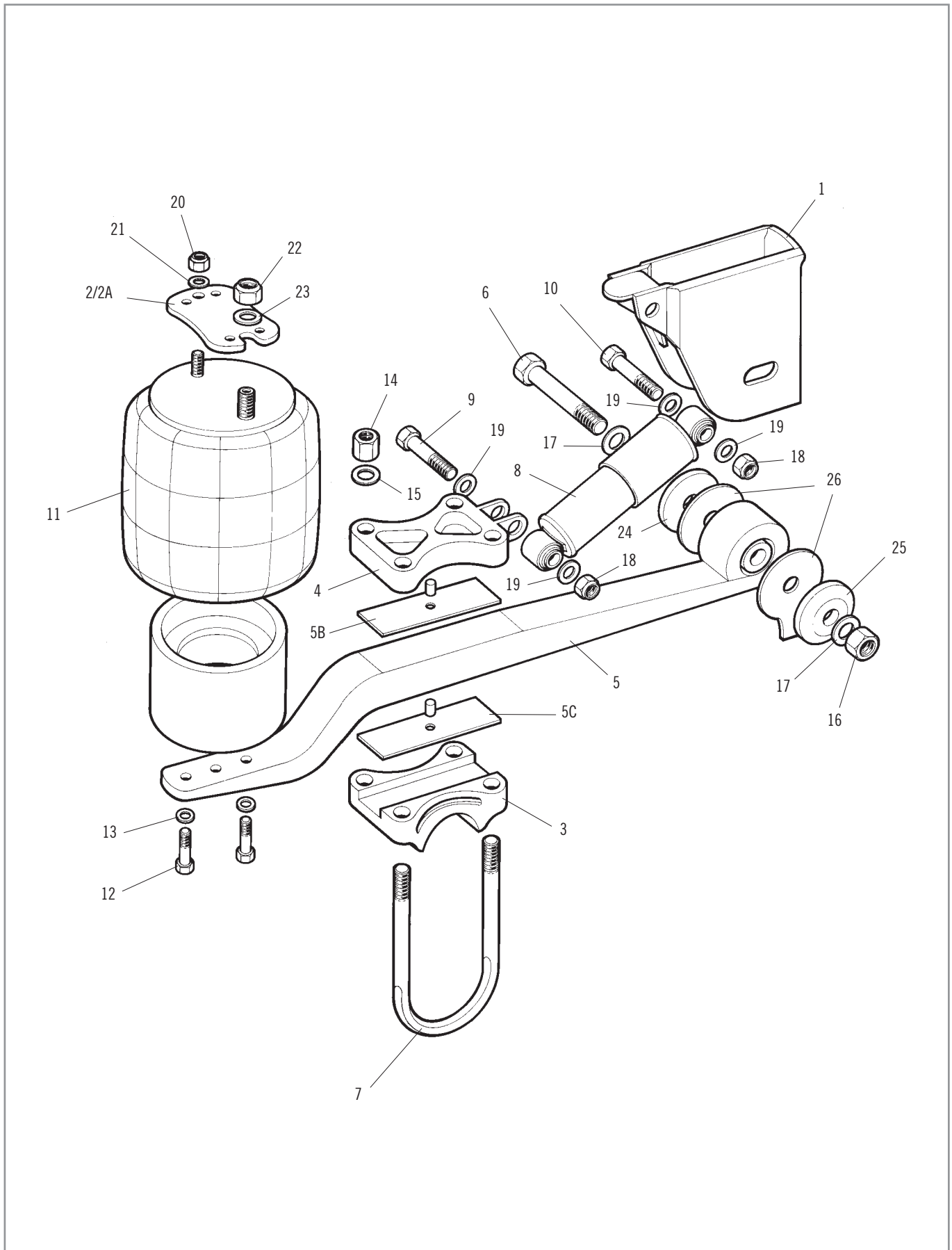


- 1 LM & LC
- 2 TA & TC
- 3 TE
- 4 TM
- 5 STEERING AXLES
- 6 FLEXAIR FLEXLITE**
- 7 INDAIR
- 8 SMT
- 9 AXL KITS

FLEXLITE PARTS LIST

XL9000

- 1
LM & LC
- 2
TA & TC
- 3
TE
- 4
TM
- 5
STEERING AXLES
- 6
FLEXAIR
FLEXLITE
- 7
INDAI
- 8
SMT
- 9
AXL KITS



FLEXLITE PARTS LIST

XL9000



Item	Description	Part Number
1A	Frame mounting bracket, tracked L/H, (ride height mm)	21225133L-36L (375-450)
1A	Frame mounting bracket, tracked R/H, (ride height mm)	21225133R-36R (375-450)
2	Airspring pedestal plate, (ride height mm)	21222582 (375)
2A	Airspring pedestal assembly, (ride height mm)	21222583-85 (400-450)
3	Spring seat	21225055
4	U bolt plate	21225057
5	Trailing arm assembly, c/w bush, M24	21225102
5A	Pivot bush, M24	21225103
5B	Shim	21225152
5C	Shim	21225170
6	Pivot bolt, M24	21225155
7	U bolt, M24	21225151
8	Damper	21225104
9	Damper bolt - bottom, M16	21225154
10	Damper bolt - top, M16	21225154
11	Airspring	21222442FS
12	Bolt, M12 x 55	99526002
13	Spring washer, M12	99510003
14	U bolt nut, M24	21222243
15	U bolt washer, M24	21222923
16	Pivot nut, M24	99527004
17	Pivot washer, M24	99513007
18	Damper nut, M16	21225159
19	Damper washer, M16	21224978
20	Nut, M12	99527000
21	Washer, M12	99513006
22	Nut, M22	99528001
23	Washer, M22	99510004
24	Tracking bush, eccentric, M24	21228663
25	Tracking bush, concentric, M24	21228664
26	Wear plate, tracked, M24	21225162

1
LM & LC

2
TA & TC

3
TE

4
TM

5
STEERING AXLES

6
FLEXAIR
FLEXLITE

7
INDAIR

8
SMT

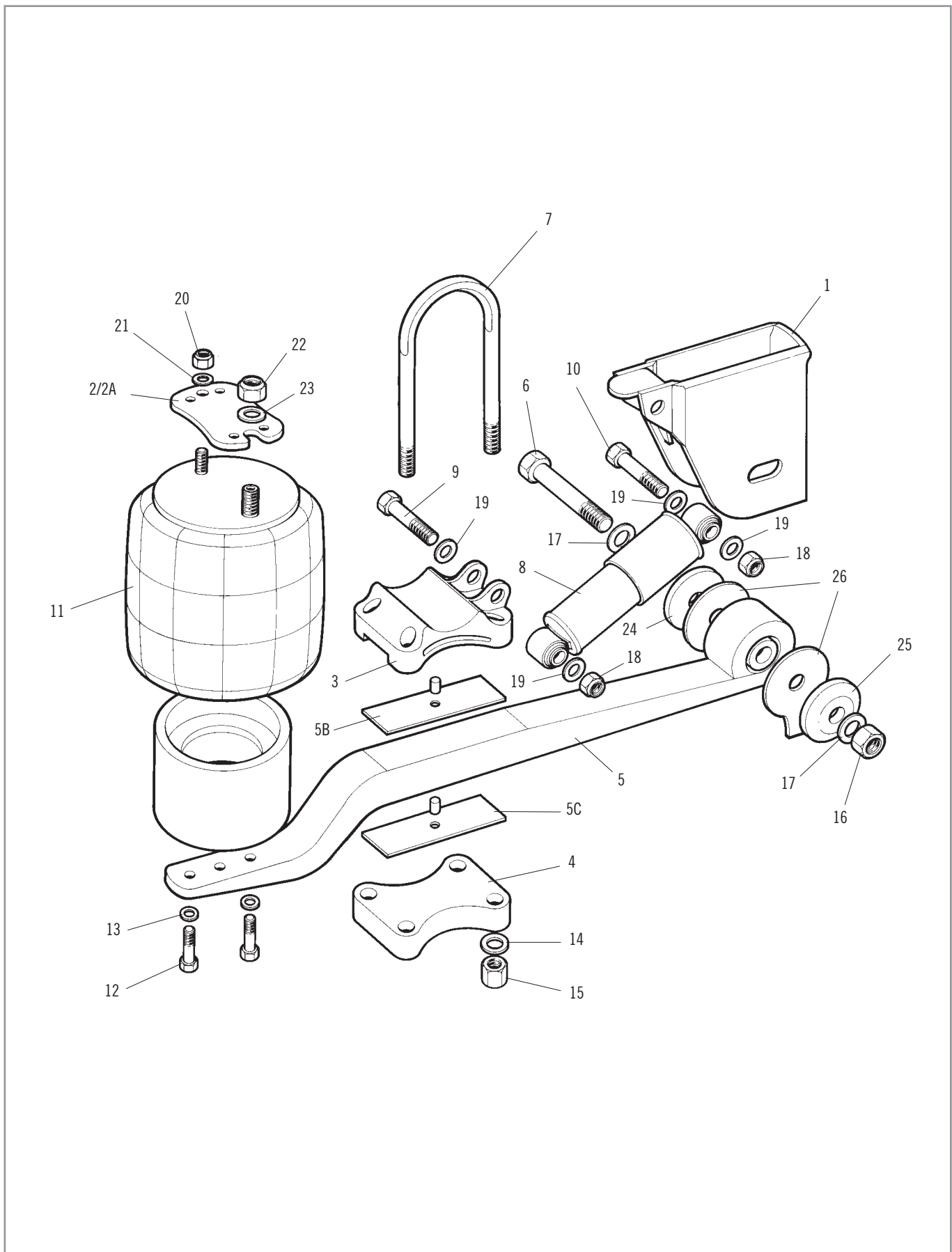
9
AXL KITS



FLEXLITE PARTS LIST

XL9000L

- 1
LM & LC
- 2
TA & TC
- 3
TE
- 4
TM
- 5
STEERING AXLES
- 6
FLEXAIR
FLEXLITE
- 7
INDAI
- 8
SMT
- 9
AXL KITS



FLEXLITE PARTS LIST

XL9000L



Item	Description	Part Number
1A	Frame mounting bracket, tracked L/H, (ride height mm)	21225133L-37L (150-250)
1A	Frame mounting bracket, tracked R/H, (ride height mm)	21225133R-37R (150-250)
2	Airspring pedestal plate, (ride height mm)	21222582 (150)
2A	Airspring pedestal assembly, (ride height mm)	21222583-86 (175-250)
3	Spring seat	21225054
4	U bolt plate	21225056
5	Trailing arm assembly, c/w bush, M24	21225102
5A	Pivot bush, M24	21225103
5B	Shim	21225152
5C	Shim	21225170
6	Pivot bolt, M24	21225155
7	U bolt, M24	21225151
8	Damper	21225104
9	Damper bolt - bottom, M16	21225154
10	Damper bolt - top, M16	21225154
11	Airspring	21222442FS
12	Bolt, M12 x 55	99526002
13	Spring washer, M12	99510003
14	U bolt nut, M24	21222243
15	U bolt washer, M24	21222923
16	Pivot nut, M24	99527004
17	Pivot washer, M24	99513007
18	Damper nut, M16	21225159
19	Damper washer, M16	21224978
20	Nut, M12	99527000
21	Washer, M12	99513006
22	Nut, M22	99528001
23	Washer, M22	99510004
24	Tracking bush, eccentric, M24	21228663
25	Tracking bush, concentric, M24	21228664
26	Wear plate, tracked, M24	21225162

1
LM & LC

2
TA & TC

3
TE

4
TM

5
STEERING AXLES

6
FLEXAIR
FLEXLITE

7
INDAIR

8
SMT

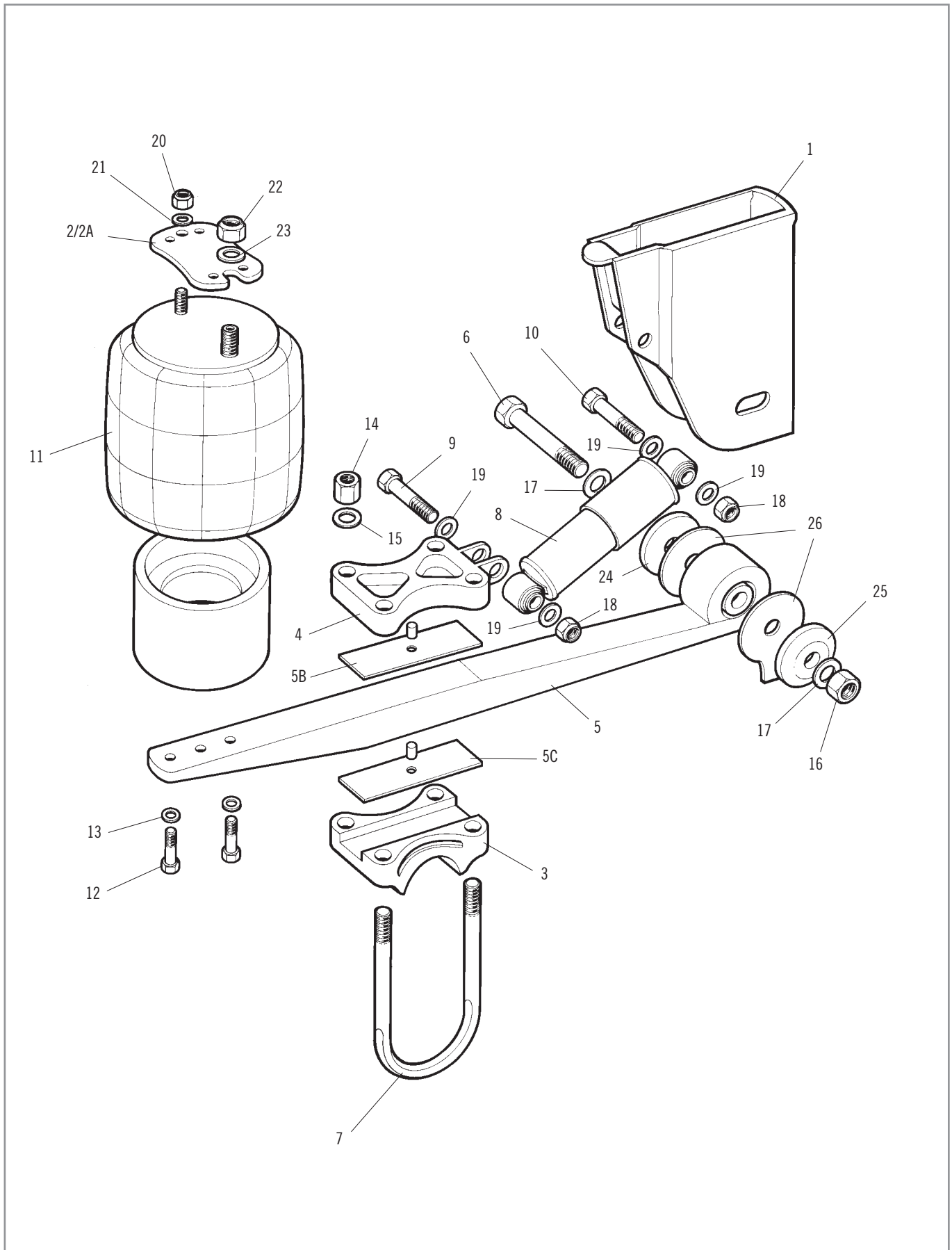
9
AXL KITS



FLEXLITE PARTS LIST

XL9000H

- 1
LM & LC
- 2
TA & TC
- 3
TE
- 4
TM
- 5
STEERING AXLES
- 6
FLEXAIR
FLEXLITE
- 7
INDAI
- 8
SMT
- 9
AXL KITS



FLEXLITE PARTS LIST

XL9000H



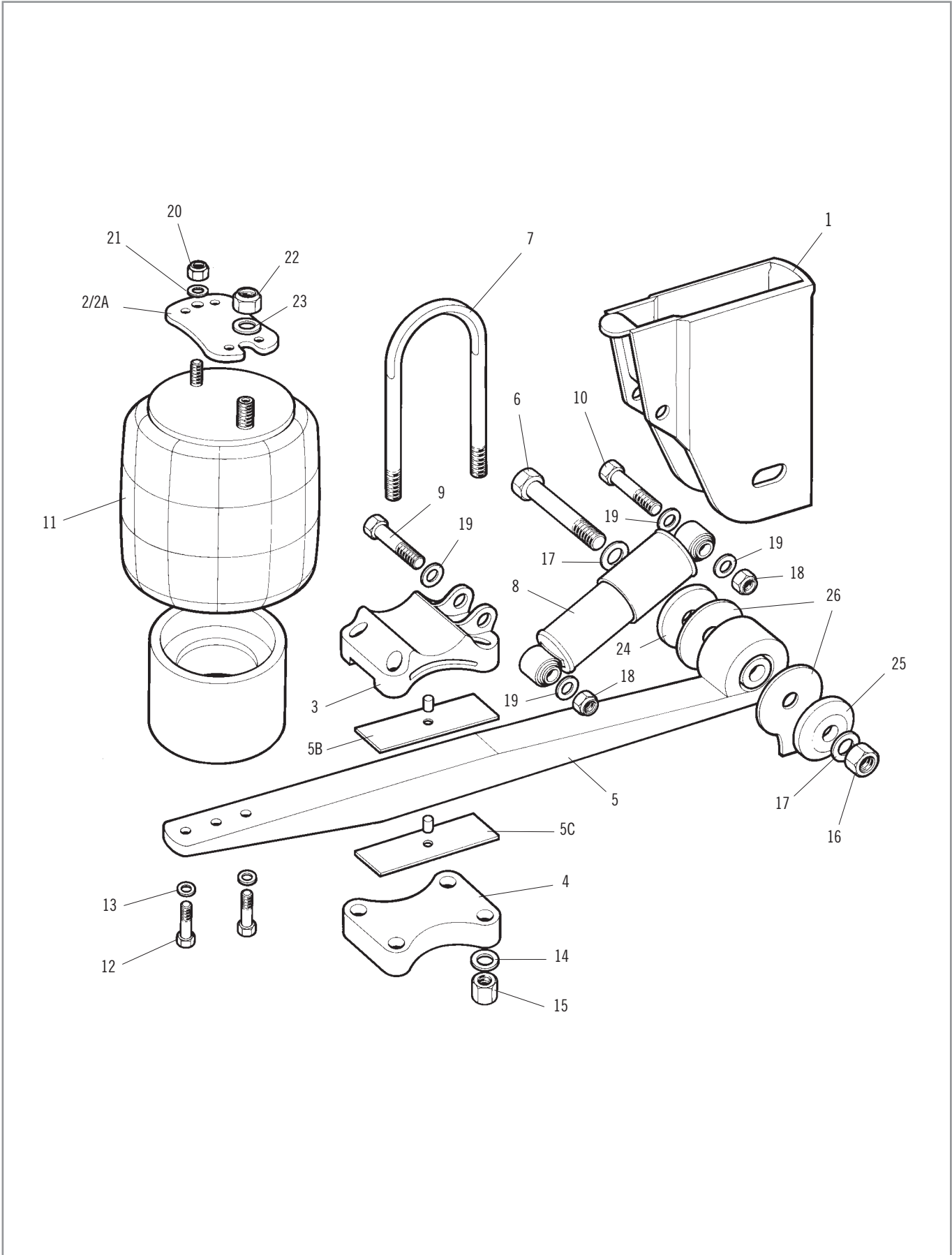
Item	Description	Part Number
1A	Frame mounting bracket, tracked L/H, (ride height mm)	21225137L-40L (475-550)
1A	Frame mounting bracket, tracked R/H, (ride height mm)	21225137R-40R (475-550)
2	Airspring pedestal plate, (ride height mm)	21222582 (475)
2A	Airspring pedestal assembly, (ride height mm)	21222583-85 (500-550)
3	Spring seat	21225055
4	U bolt plate	21225057
5	Trailing arm assembly, c/w bush, M24	21225354
5A	Pivot bush, M24	21225103
5B	Shim	21225152
5C	Shim	21225170
6	Pivot bolt, M24	21225155
7	U bolt, M24	21225151
8	Damper	21225104
9	Damper bolt - bottom, M16	21225154
10	Damper bolt - top, M16	21225154
11	Airspring	21222442FS
12	Bolt, M12 x 55	99526002
13	Spring washer, M12	99510003
14	U bolt nut, M24	21222243
15	U bolt washer, M24	21222923
16	Pivot nut, M24	99527004
17	Pivot washer, M24	99513007
18	Damper nut, M16	21225159
19	Damper washer, M16	21224978
20	Nut, M12	99527000
21	Washer, M12	99513006
22	Nut, M22	99528001
23	Washer, M22	99510004
24	Tracking bush, eccentric, M24	21228663
25	Tracking bush, concentric, M24	21228664
26	Wear plate, tracked, M24	21224386

- 1 LM & LC
- 2 TA & TC
- 3 TE
- 4 TM
- 5 STEERING AXLES
- 6 FLEXAIR FLEXLITE
- 7 INDAIR
- 8 SMT
- 9 AXL KITS

FLEXLITE PARTS LIST

XL9000HL

- 1
LM & LC
- 2
TA & TC
- 3
TE
- 4
TM
- 5
STEERING AXLES
- 6
FLEXAIR FLEXLITE
- 7
INDAI
- 8
SMT
- 9
AXL KITS



FLEXLITE PARTS LIST

XL9000HL



Item	Description	Part Number
1A	Frame mounting bracket, tracked L/H, (ride height mm)	21225133L-37L (250-350)
1A	Frame mounting bracket, tracked R/H, (ride height mm)	21225133R-37R (250-350)
2	Airspring pedestal plate, (ride height mm)	21222582 (250)
2A	Airspring pedestal assembly, (ride height mm)	21222583-86 (275-350)
3	Spring seat	21225054
4	U bolt plate	21225056
5	Trailing arm assembly, c/w bush, M24	21224664
5A	Pivot bush, M24	21225103
5B	Shim	21225152
5C	Shim	21225170
6	Pivot bolt, M24	21225155
7	U bolt, M24	21225151
8	Damper	21225104
9	Damper bolt - bottom, M16	21225154
10	Damper bolt - top, M16	21225154
11	Airspring	21222442FS
12	Bolt, M12 x 55	99526002
13	Spring washer, M12	99510003
14	U bolt nut, M24	21222243
15	U bolt washer, M24	21222923
16	Pivot nut, M24	99527004
17	Pivot washer, M24	99513007
18	Damper nut, M16	21225159
19	Damper washer, M16	21224978
20	Nut, M12	99527000
21	Washer, M12	99513006
22	Nut, M22	99528001
23	Washer, M22	99510004
24	Tracking bush, eccentric, M24	21228663
25	Tracking bush, concentric, M24	21228664
26	Wear plate, tracked, M24	21225162

1
LM & LC

2
TA & TC

3
TE

4
TM

5
STEERING AXLES

6
FLEXAIR
FLEXLITE

7
INDAIR

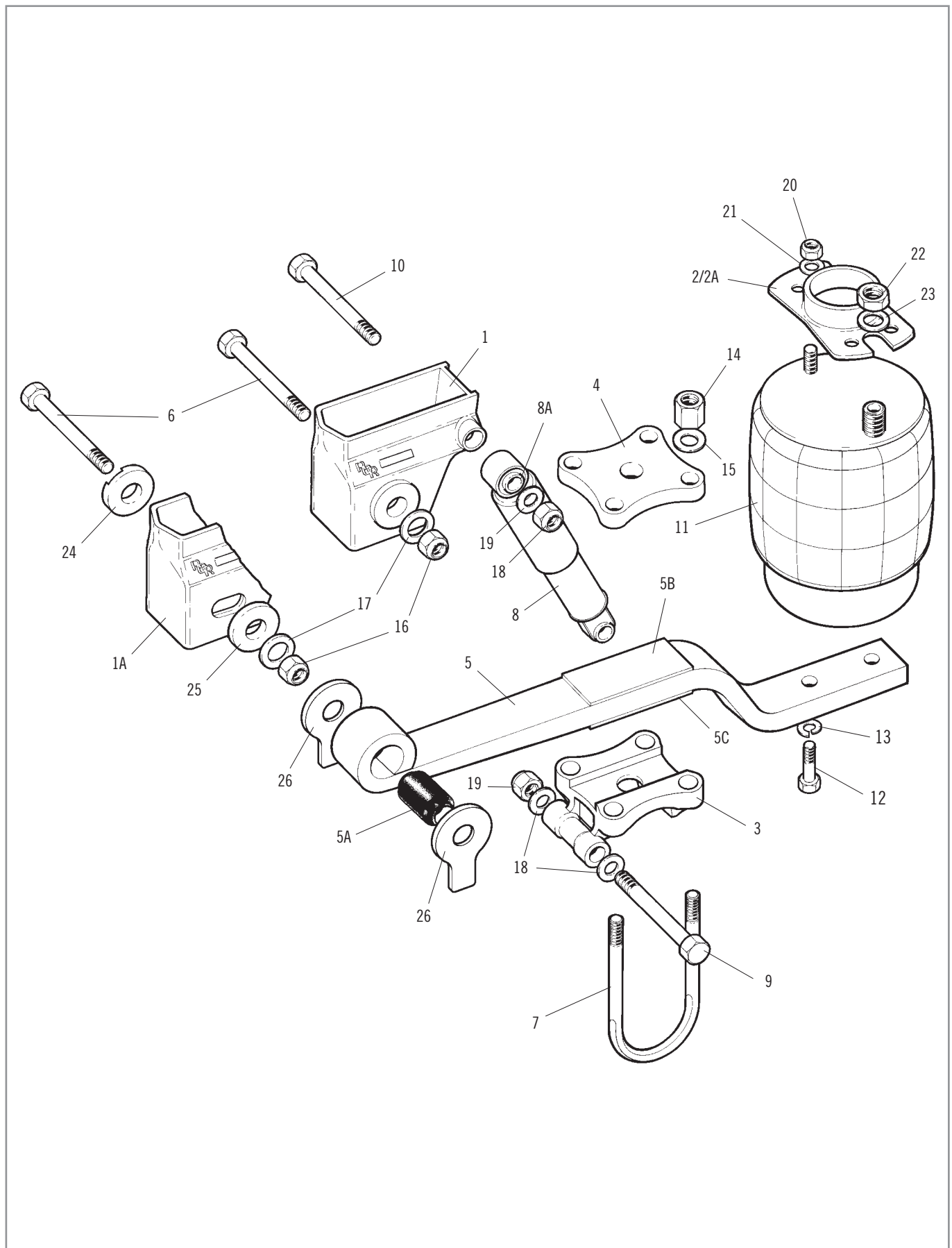
8
SMT

9
AXL KITS

FLEXAIR PARTS LIST

FL9000NB

- 1
LM & LC
- 2
TA & TC
- 3
TE
- 4
TM
- 5
STEERING AXLES
- 6
FLEXAIR FLEXLITE
- 7
INDAI
- 8
SMT
- 9
AXL KITS



FLEXAIR PARTS LIST

FL9000NB



Item	Description	Part Number
1	Frame mounting bracket, untracked, (ride height mm)	21224781-83 (310-350)
1A	Frame mounting bracket, tracked L/H, (ride height mm)	21224781L-83L (310-350)
1A	Frame mounting bracket, tracked R/H, (ride height mm)	21224781R-83R (310-350)
1	Frame mounting bracket, untracked, (ride height mm)	21226414-16 (375-425)
1A	Frame mounting bracket, tracked L/H, (ride height mm)	21226414L-16L (375-425)
1A	Frame mounting bracket, tracked R/H, (ride height mm)	21226414R-16R (375-425)
1	Frame mounting bracket, untracked, (ride height mm)	21227231-32 (450-475)
1A	Frame mounting bracket, tracked L/H, (ride height mm)	21227231L-32L (450-475)
1A	Frame mounting bracket, tracked R/H, (ride height mm)	21227231R-32R (450-475)
2	Airspring pedestal plate, (ride height mm)	21224614 (350)
2A	Airspring pedestal assembly, (ride height mm)	21226421-23 (375-425)
2A	Airspring pedestal assembly, (ride height mm)	21227233-34 (450-475)
3	Spring seat	21222399
4	U bolt plate	21222395N
5	Trailing arm assembly, c/w bush, M24	21224664
5A	Pivot bush, M24	21224663
5B	Shim	21222330
5C	Shim	21222329
6	Pivot bolt, M24 x 195	21222230
7	U bolt, M24 x 269	21223928
8	Damper	21224778
8A	Damper bush	DBK2
9	Damper bolt - bottom, M24 x 250	21222231
10	Damper bolt - top, M24 x 250	21222231
11	Airspring	21222442FS
12	Bolt, M12 x 55	99526002
13	Spring washer, M12	99510003
14	U bolt nut, M24	21222243
15	U bolt washer, M24	21222923
16	Pivot nut, M24	99527004
17	Pivot washer, M24	99513007
18	Damper nut, M24	99527004
19	Damper washer, M24	99513007
20	Nut, M12	99512007
21	Washer, M12	99513006
22	Nut, M22	99528001
23	Washer, M22	99510004
24	Tracking bush, eccentric*, M24	21228663
25	Tracking bush, concentric*, M24	21228664
26	Wear plate, tracked, M24	21224386

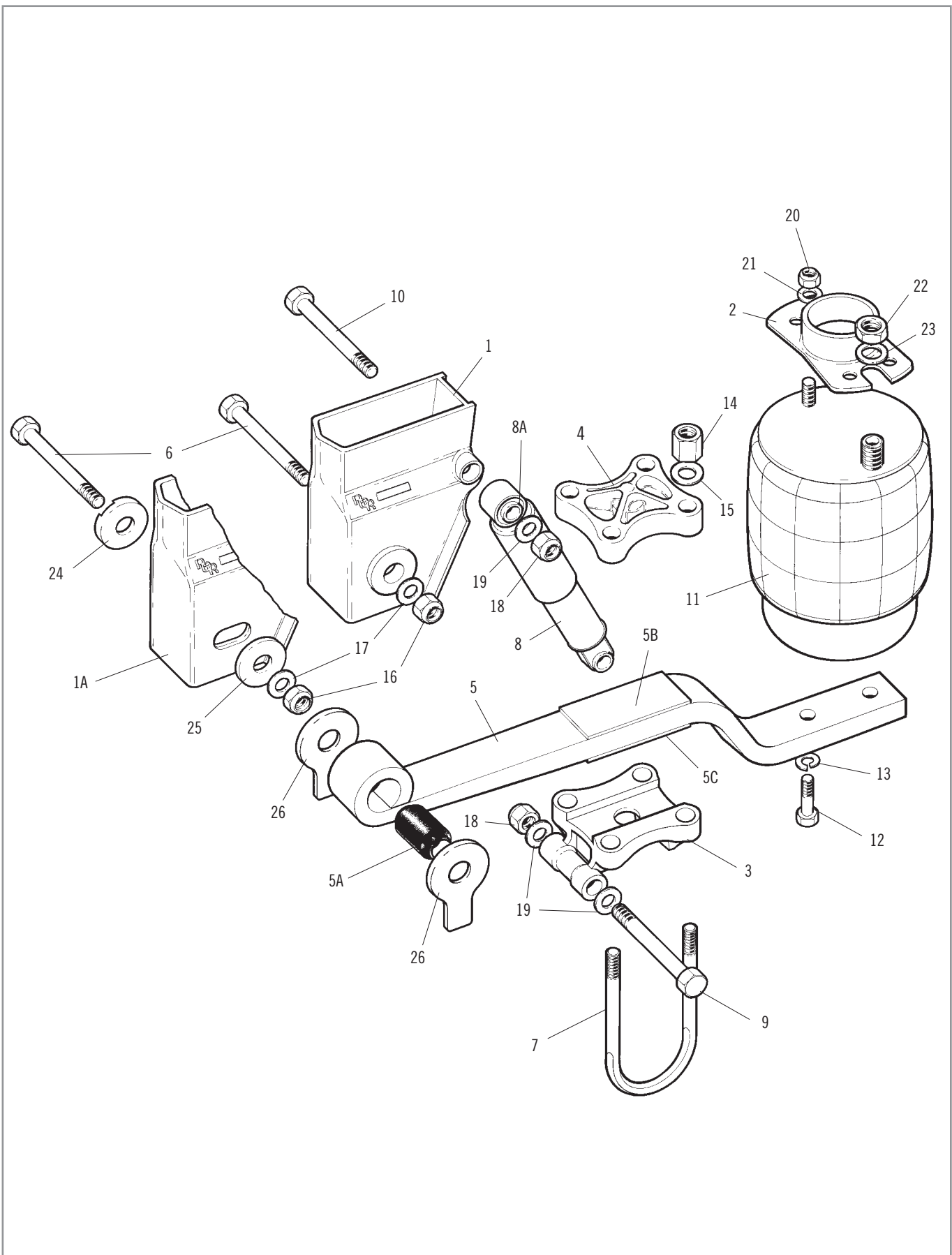
* If the pivot eye tracking is not fitted then tracking bushes are not supplied as they are prewelded to the frame mounting brackets.

- 1 LM & LC
- 2 TA & TC
- 3 TE
- 4 TM
- 5 STEERING AXLES
- 6 FLEXAIR FLEXLITE
- 7 INDAIR
- 8 SMT
- 9 AXL KITS

FLEXAIR PARTS LIST

FL9000

- 1
LM & LC
- 2
TA & TC
- 3
TE
- 4
TM
- 5
STEERING AXLES
- 6
FLEXAIR
FLEXLITE
- 7
INDAI
- 8
SMT
- 9
AXL KITS



FLEXAIR PARTS LIST

FL9000



Item	Description	Part Number
1	Frame mounting bracket, untracked, (ride height mm)	21222370-74 (375-475) ⁽¹⁾
1A	Frame mounting bracket, tracked L/H, (ride height mm)	21222370L-74L (375-475) ⁽¹⁾
1A	Frame mounting bracket, tracked R/H, (ride height mm)	21222370R-74R (375-475) ⁽¹⁾
1	Frame mounting bracket, untracked, (ride height mm)	21222735-42 (375-550) ⁽²⁾
1A	Frame mounting bracket, tracked L/H, (ride height mm)	21222735L-42L (375-550) ⁽²⁾
1A	Frame mounting bracket, tracked R/H, (ride height mm)	21222735R-42R (375-550) ⁽²⁾
1	Frame mounting bracket, untracked, (ride height mm)	21224634-41 (375-550) ⁽³⁾
1A	Frame mounting bracket, tracked L/H, (ride height mm)	21224634L-41L (375-550) ⁽³⁾
1A	Frame mounting bracket, tracked R/H, (ride height mm)	21224634R-41R (375-550) ⁽³⁾
2A	Airspring pedestal assembly, (ride height mm)	21222582-89 (375-550)
3	Spring seat	21222399
4	U bolt plate	21222395
5	Trailing arm assembly, c/w bush, M30	21222247
5	Trailing arm assembly, c/w bush, M24	21224664 ⁽³⁾
5A	Pivot bush, M30	21222609
5A	Pivot bush, M24	21224663 ⁽³⁾
5B	Shim	21222330
5C	Shim	21222329
6	Pivot bolt, M30 x 200	21222234
6	Pivot bolt, M24 x 195	21222230 ⁽³⁾
7	U bolt, M24 x 280	21223928
8	Damper	21224745
8A	Damper bush	DBK2
9	Damper bolt - bottom, M24 x 250	21222231
10	Damper bolt - top, M24 x 250	21222231
11	Airspring	21222442FS
12	Bolt, M12 x 55	99526002
13	Spring washer, M12	99510003
14	U bolt nut, M24	21222243
15	U bolt washer, M24	21222923
16	Pivot nut, M30	99527003
16	Pivot nut, M24	99527004 ⁽³⁾
17	Pivot washer, M30	99513008
17	Pivot washer, M24	99513007 ⁽³⁾
18	Damper nut, M24	99527004
19	Damper washer, M24	99513007
20	Nut, M12	99527000
21	Washer, M12	99513006
22	Nut, M22	99528001
23	Washer, M22	99510004
24	Tracking bush, eccentric*, M30	21222221
24	Tracking bush, eccentric*, M24	21228663 ⁽³⁾
25	Tracking bush, concentric*, M30	21222287
25	Tracking bush, concentric*, M24	21228664 ⁽³⁾
26	Wear plate, tracked, M30	21222223
26	Wear plate, untracked, M30	21222690
26	Wear plate, tracked, M24	21224386 ⁽³⁾
24	Tracking bush, eccentric*, M24	21228663
25	Tracking bush, concentric*, M24	21228664
26	Wear plate, tracked, M24	21224386

⁽¹⁾ Before April 1993

⁽²⁾ After April 1993

⁽³⁾ After December 2000

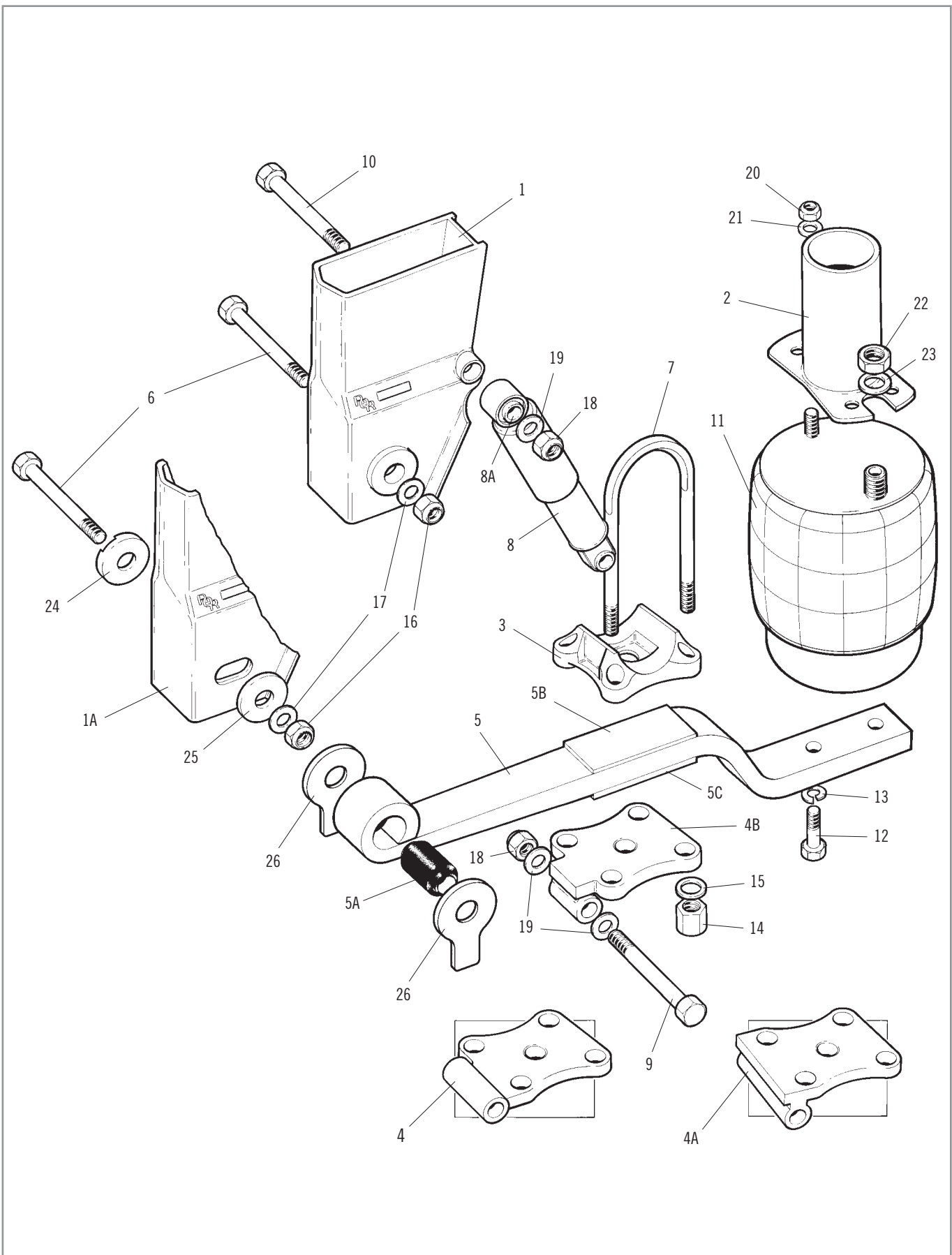
* If the pivot eye tracking is not fitted then tracking bushes are not supplied as they are prewelded to the frame mounting brackets.

- 1 LM & LC
- 2 TA & TC
- 3 TE
- 4 TM
- 5 STEERING AXLES
- 6 FLEXAIR FLEXLITE
- 7 INDAIR
- 8 SMT
- 9 AXL KITS

FLEXAIR PARTS LIST

FL9000L

- 1
LM & LC
- 2
TA & TC
- 3
TE
- 4
TM
- 5
STEERING AXLES
- 6
FLEXAIR FLEXLITE
- 7
INDAI
- 8
SMT
- 9
AXL KITS



FLEXAIR PARTS LIST

FL9000L



Item	Description	Part Number
1	Frame mounting bracket, untracked, (ride height mm)	21221981-88 (200-375) ⁽¹⁾
1A	Frame mounting bracket, tracked L/H, (ride height mm)	21221981L-88L (200-375) ⁽¹⁾
1A	Frame mounting bracket, tracked R/H, (ride height mm)	21221981R-88R (200-375) ⁽¹⁾
1	Frame mounting bracket, untracked, (ride height mm)	21222736-43 (200-375) ⁽²⁾
1A	Frame mounting bracket, tracked L/H, (ride height mm)	21222736L-43L (200-375) ⁽²⁾
1A	Frame mounting bracket, tracked R/H, (ride height mm)	21222736R-43R (200-375) ⁽²⁾
1	Frame mounting bracket, untracked, (ride height mm)	21224635-42 (200-375) ⁽³⁾
1A	Frame mounting bracket, tracked L/H, (ride height mm)	21224635L-42L (200-375) ⁽³⁾
1A	Frame mounting bracket, tracked R/H, (ride height mm)	21224635R-42R (200-375) ⁽³⁾
2A	Airspring pedestal assembly, (ride height mm)	21222584-91 (200-375)
3	Spring seat	21222262
4	U bolt plate	21222580
4	U bolt plate	21223646L or R ⁽²⁾
4	U bolt plate, L/H	21223646L
4	U bolt plate, R/H	21223646R
5	Trailing arm assembly, c/w bush, M30	21222247
5	Trailing arm assembly, c/w bush, M24	21224664 ⁽³⁾
5A	Pivot bush, M30	21222609
5A	Pivot bush, M24	21224663 ⁽³⁾
5B	Shim	21222906
5C	Shim	21222329
6	Pivot bolt, M30 x 200	21222234
6	Pivot bolt, M24 x 195	21222230 ⁽³⁾
7	U bolt, M24 x 280	21223928
8	Damper	21224745
8A	Damper bush	DBK2
9	Damper bolt - bottom, M24 x 195	21222230
10	Damper bolt - top, M24 x 250	21222231
11	Airspring	21222442FS
12	Bolt, M12 x 55	99526002
13	Spring washer, M12	99510003
14	U bolt nut, M24	21222243
15	U bolt washer, M24	21222923
16	Pivot nut, M30	99527003
16	Pivot nut, M24	99527004 ⁽³⁾
17	Pivot washer, M30	99513008
17	Pivot washer, M24	99513007 ⁽³⁾
18	Damper nut, M24	99527004
19	Damper washer, M24	99513007
20	Nut, M12	99527000
21	Washer, M12	99513006
22	Nut, M22	99528001
23	Washer, M22	99510004
24	Tracking bush, eccentric*, M30	21222221
24	Tracking bush, eccentric*, M24	21228663 ⁽³⁾
25	Tracking bush, concentric*, M30	21222287
25	Tracking bush, concentric*, M24	21228664 ⁽³⁾
26	Wear plate, tracked, M30	21222223
26	Wear plate, untracked, M30	21222690
26	Wear plate, tracked, M24	21224386 ⁽³⁾

⁽¹⁾ Before April 1993

⁽²⁾ After April 1993

⁽³⁾ After December 2000

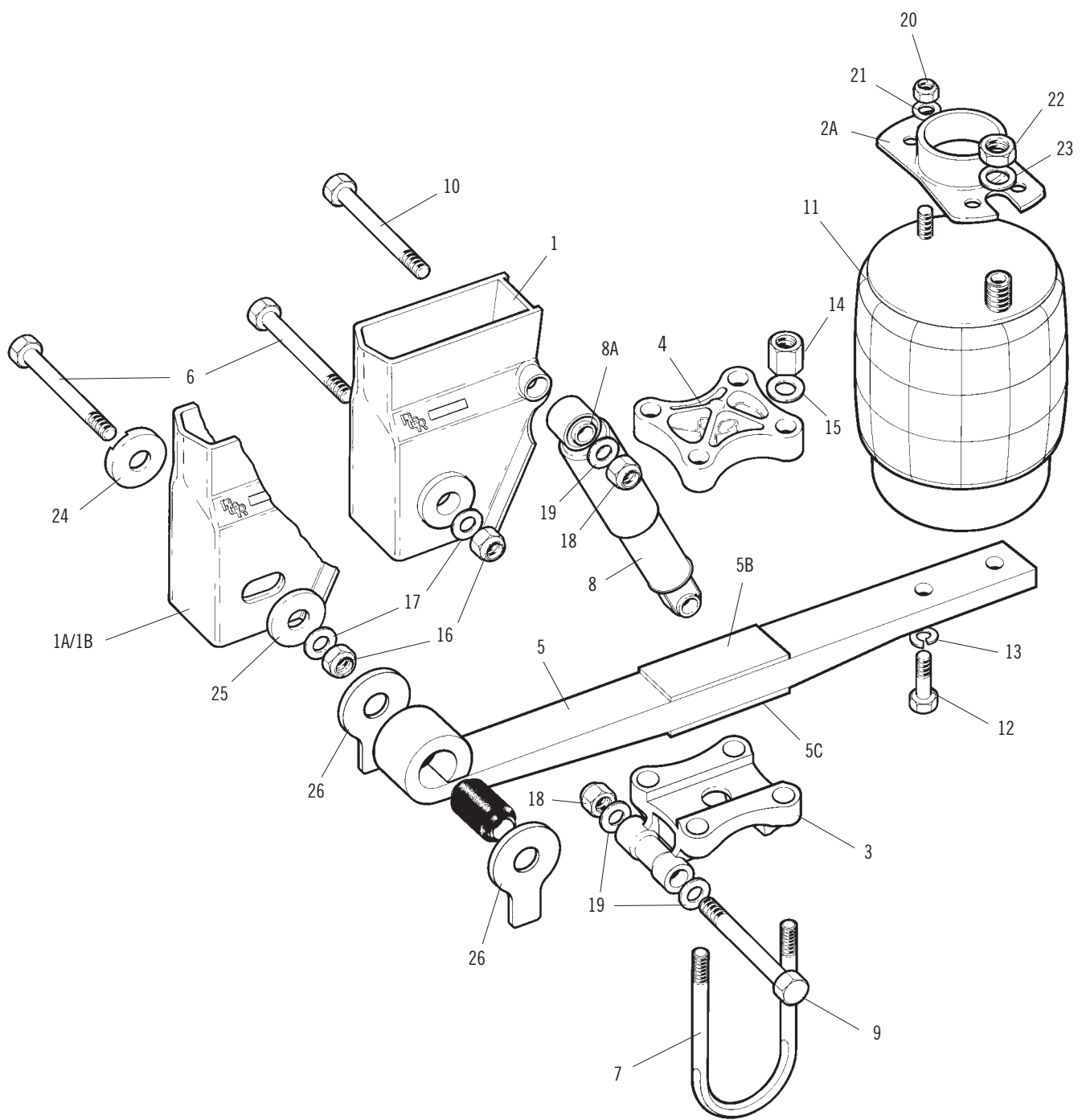
* If the pivot eye tracking is not fitted then tracking bushes are not supplied as they are prewelded to the frame mounting brackets.

- 1 LM & LC
- 2 TA & TC
- 3 TE
- 4 TM
- 5 STEERING AXLES
- 6 FLEXAIR FLEXLITE
- 7 INDAIR
- 8 SMT
- 9 AXL KITS

FLEXAIR PARTS LIST

FL9000H

- 1
LM & LC
- 2
TA & TC
- 3
TE
- 4
TM
- 5
STEERING AXLES
- 6**
FLEXAIR FLEXLITE
- 7
INDAI
- 8
SMT
- 9
AXL KITS



FLEXAIR PARTS LIST

FL9000H



Item	Description	Part Number
1	Frame mounting bracket, untracked, (ride height mm)	21224639-41 (500-550)
1A	Frame mounting bracket, tracked L/H, (ride height mm)	21224639L-41L (500-550)
1A	Frame mounting bracket, tracked R/H, (ride height mm)	21224639R-41R (500-550)
2A	Airspring pedestal assembly, (ride height mm)	21222582-84 (500-550)
3	Spring seat	21222399
4	U bolt plate	21222395
5	Trailing arm assembly, c/w bush, M30	21224376
5	Trailing arm assembly, c/w bush, M24	21227324 ⁽³⁾
5B	Shim	21222330
5C	Shim	21222906
6	Pivot bolt, M30 x 200	21222234
6	Pivot bolt, M24 x 195	21222230 ⁽³⁾
7	U bolt, M24 x 280	21223928
8	Damper	21224745
8A	Damper bush	DBK2
9	Damper bolt - bottom, M24 x 250	21222231
10	Damper bolt - top, M24 x 250	21222231
11	Airspring	21222442FS
12	Bolt, M12 x 55	99526002
13	Spring washer, M12	99510003
14	U bolt nut, M24	21222243
15	U bolt washer, M24	21222923
16	Pivot nut, M30	99527003
16	Pivot nut, M24	99527004 ⁽³⁾
17	Pivot washer, M30	99513008
17	Pivot washer, M24	99513007 ⁽³⁾
18	Damper nut, M24	99527004
19	Damper washer, M24	99513007
20	Nut, M12	99527000
21	Washer, M12	99513006
22	Nut, M22	99528001
23	Washer, M22	99510004
24	Tracking bush, eccentric*, M30	21222221
24	Tracking bush, eccentric*, M24	21228663 ⁽³⁾
25	Tracking bush, concentric*, M30	21222287
25	Tracking bush, concentric*, M24	21228664 ⁽³⁾
26	Wear plate, tracked, M30	21222223
26	Wear plate, untracked, M30	21222690
26	Wear plate, tracked, M24	21224386 ⁽³⁾

⁽³⁾ After December 2000

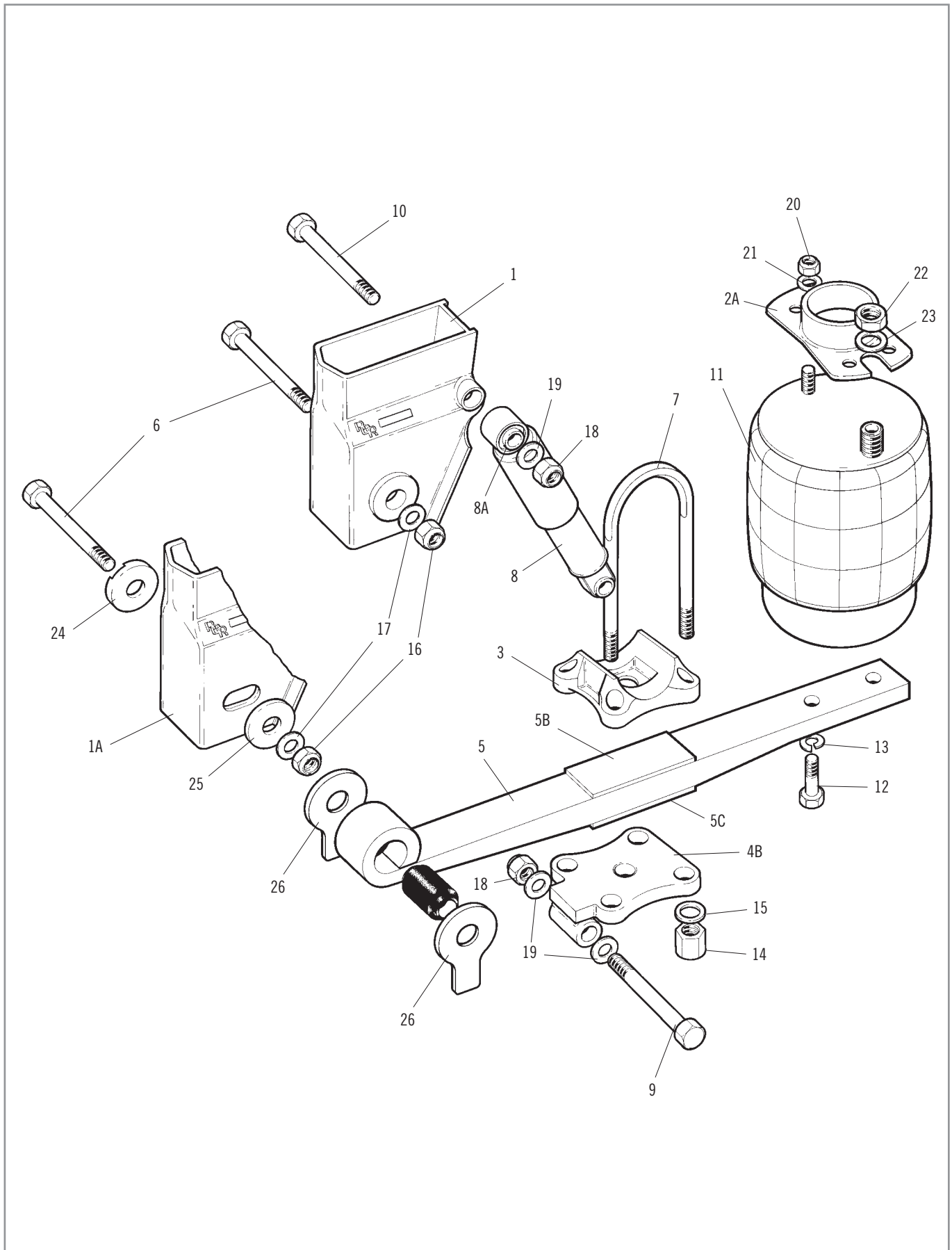
* If the pivot eye tracking is not fitted then tracking bushes are not supplied as they are prewelded to the frame mounting brackets.

- 1 LM & LC
- 2 TA & TC
- 3 TE
- 4 TM
- 5 STEERING AXLES
- 6 FLEXAIR FLEXLITE
- 7 INDAIR
- 8 SMT
- 9 AXL KITS

FLEXAIR PARTS LIST

FL9000HL

- 1
LM & LC
- 2
TA & TC
- 3
TE
- 4
TM
- 5
STEERING AXLES
- 6**
FLEXAIR FLEXLITE
- 7
INDAI
- 8
SMT
- 9
AXL KITS



FLEXAIR PARTS LIST

FL9000HL



Item	Description	Part Number
1	Frame mounting bracket, untracked, (ride height mm)	21224637-41 (275-375)
1A	Frame mounting bracket, tracked L/H, (ride height mm)	21224637L-41L (275-375)
1A	Frame mounting bracket, tracked R/H, (ride height mm)	21224637R-41R (275-375)
2A	Airspring pedestal assembly, (ride height mm)	21222582-86 (275-375)
3	Spring seat	21222262
4	U bolt plate, L/H	21223646L
4	U bolt plate, R/H	21223646R
5	Trailing arm assembly, c/w bush, M30	21224376
5	Trailing arm assembly, c/w bush, M24	21227324 ⁽³⁾
5B	Shim	21222330
5C	Shim	21222329
6	Pivot bolt, M30 x 200	21222234
6	Pivot bolt, M24 x 195	21222230 ⁽³⁾
7	U bolt, M24 x 280	21223928
8	Damper	21224745
8A	Damper bush	DBK2
9	Damper bolt - bottom, M24 x 195	21222230
10	Damper bolt - top, M24 x 250	21222231
11	Airspring	21222442FS
12	Bolt, M12 x 55	99526002
13	Spring washer, M12	99510003
14	U bolt nut, M24	21222243
15	U bolt washer, M24	21222923
16	Pivot nut, M30	99527003
16	Pivot nut, M24	99527004 ⁽³⁾
17	Pivot washer, M30	99513008
17	Pivot washer, M24	99513007 ⁽³⁾
18	Damper nut, M24	99527004
19	Damper washer, M24	99513007
20	Nut, M12	99527000
21	Washer, M12	99513006
22	Nut, M22	99528001
23	Washer, M22	99510004
24	Tracking bush, eccentric*, M30	21222221
24	Tracking bush, eccentric*, M24	21228663 ⁽³⁾
25	Tracking bush, concentric*, M30	21222287
25	Tracking bush, concentric*, M24	21228664 ⁽³⁾
26	Wear plate, tracked, M30	21222223
26	Wear plate, untracked, M30	21222690
26	Wear plate, tracked, M24	21224386 ⁽³⁾

⁽³⁾ After December 2000

* If the pivot eye tracking is not fitted then tracking bushes are not supplied as they are prewelded to the frame mounting brackets.

1
LM & LC

2
TA & TC

3
TE

4
TM

5
STEERING
AXLES

6
FLEXAIR
FLEXLITE

7
INDAIR

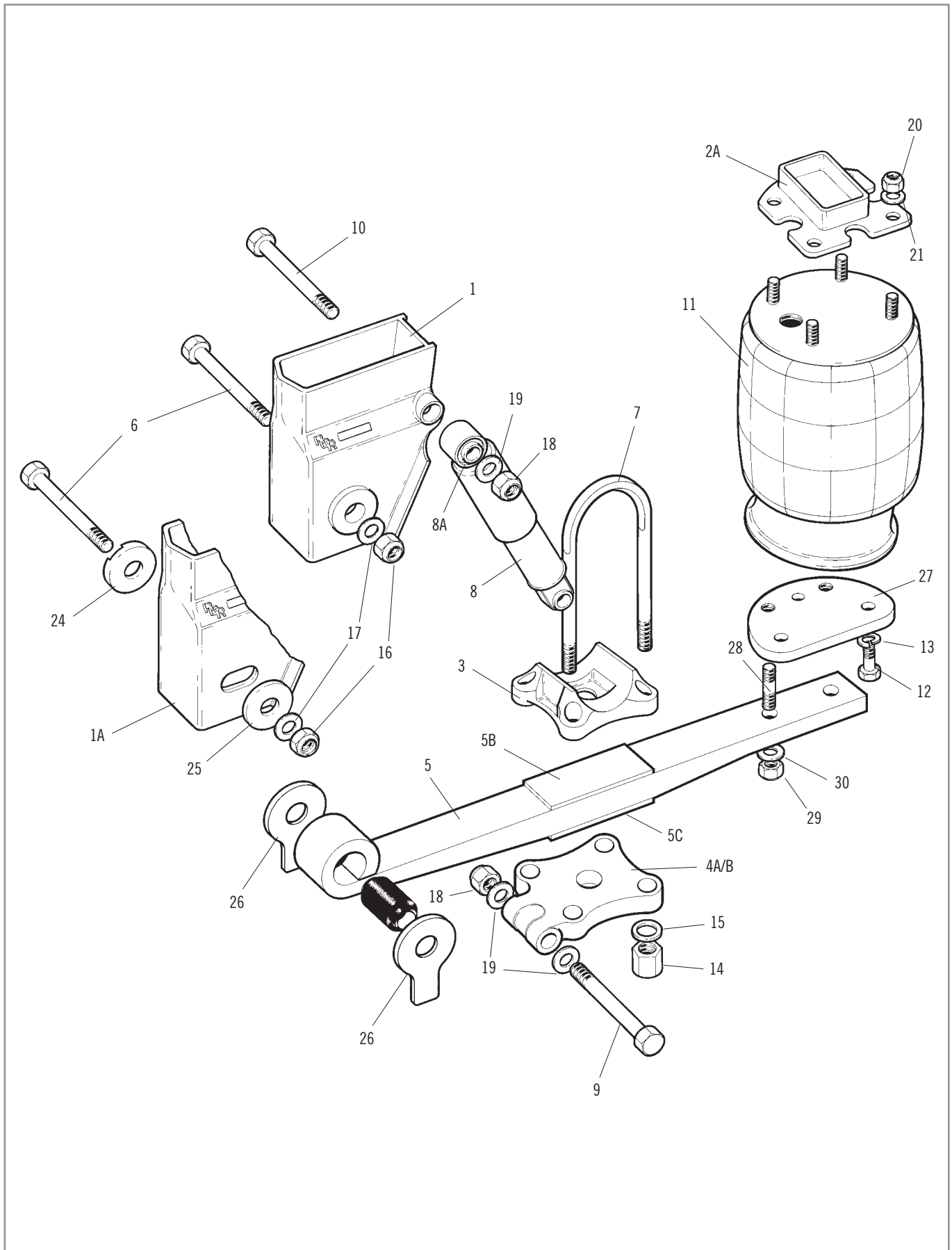
8
SMT

9
AXL KITS

FLEXAIR PARTS LIST

FL9000HLL

- 1
LM & LC
- 2
TA & TC
- 3
TE
- 4
TM
- 5
STEERING AXLES
- 6**
FLEXAIR FLEXLITE
- 7
INDAI
- 8
SMT
- 9
AXL KITS



FLEXAIR PARTS LIST

FL9000HLL



Item	Description	Part Number
1	Frame mounting bracket, untracked, (ride height mm)	21224636-41 (300-425)
1A	Frame mounting bracket, tracked L/H, (ride height mm)	21224636L-41L (300-425)
1A	Frame mounting bracket, tracked R/H, (ride height mm)	21224636R-41R (300-425)
2A	Airspring pedestal assembly, (ride height mm)	21221995-00 (300-425)
3	Spring seat	21226018
4	U bolt plate, L/H	21224437L
4	U bolt plate, R/H	21224436R
5	Trailing arm assembly, c/w bush, M24	21226383
5A	Pivot bush, M24	21224663
5B	Shim	21222330
5C	Shim	21222329
6	Pivot bolt, M24 x 195	21222230
7	U bolt, M24	21223928
8	Damper	21224034
8A	Damper bush	DBK1
9	Damper bolt - bottom, M24 x 195	21222230
10	Damper bolt - top, M24 x 250	21222231
11	Airspring	21222673FS
12	Bolt, M12 x 35	99526000
13	Spring washer, M12	99510003
14	U bolt nut, M24	21222243
15	U bolt washer, M24	21222923
16	Pivot nut, M24	99527004
17	Pivot washer, M24	99513007
18	Damper nut, M24	99527004
19	Damper washer, M24	99513007
20	Nut, M12	99527000
21	Washer, M12	99513006
24	Tracking bush, eccentric*, M24	21228663
25	Tracking bush, concentric*, M24	21228664
26	Wear plate, tracked, M24	21224386
27	Offset Support Plate (offset mm)	21222251
28	Stud, M16	21222255
29	Nut, M16	99527002
30	Washer, M16	99513009

* If the pivot eye tracking is not fitted then tracking bushes are not supplied as they are prewelded to the frame mounting brackets.

1
LM & LC

2
TA & TC

3
TE

4
TM

5
STEERING AXLES

6
FLEXAIR FLEXLITE

7
INDAIR

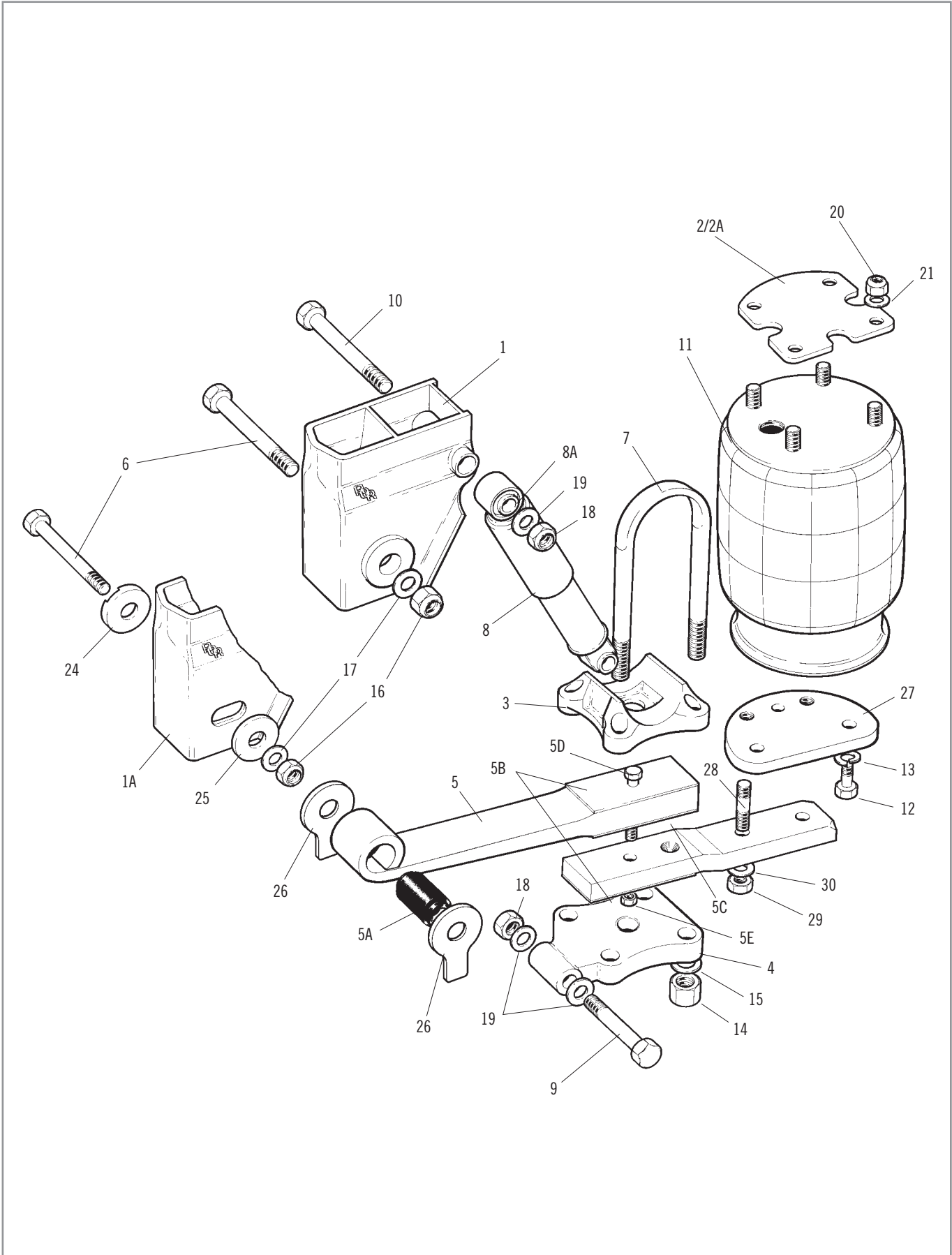
8
SMT

9
AXL KITS

FLEXAIR PARTS LIST

FL9000M

- 1
LM & LC
- 2
TA & TC
- 3
TE
- 4
TM
- 5
STEERING AXLES
- 6**
FLEXAIR FLEXLITE
- 7
INDAI
- 8
SMT
- 9
AXL KITS



FLEXAIR PARTS LIST

FL9000M



Item	Description	Part Number
1	Frame mounting bracket, untracked, (ride height mm)	21222717-18 (228-253)
1A	Frame mounting bracket, tracked L/H, (ride height mm)	21222717L-18L (228-253)
1A	Frame mounting bracket, tracked R/H, (ride height mm)	21222717R-18R (228-253)
1	Frame mounting bracket, untracked, (ride height mm)	21226520-21 (228-253) ⁽³⁾
1A	Frame mounting bracket, tracked L/H, (ride height mm)	21226520L-21L (228-253) ⁽³⁾
1A	Frame mounting bracket, tracked R/H, (ride height mm)	21226520R-21R (228-253) ⁽³⁾
2	Airspring pedestal plate, (ride height mm)	21222452 (228)
2A	Airspring pedestal assembly, (ride height mm)	21221994 (253)
3	Spring seat	21222262
4	U bolt plate	21224461 ⁽⁴⁾
5	Trailing arm assembly, c/w bush, M30	21224465 ⁽⁴⁾
5	Trailing arm assembly, c/w bush, M24	21227323 ⁽³⁾
5A	Pivot bush, M30	21222609
5A	Pivot bush, M24	21224663 ⁽³⁾
5B	Shim	21223609
5C	Shim	21222198
5D	Bolt, M16 x 126	21223606
5E	Nut	99527002
6	Pivot bolt, M30 x 200	21222234
6	Pivot bolt, M24 x 195	21222230 ⁽³⁾
7	U bolt, M24 x 315	21222326 ⁽⁴⁾
8	Damper	21224034
8A	Damper bush	DBK1
9	Damper bolt - bottom, M24 x 195	21222230
10	Damper bolt - top, M24 x 250	21222231
11	Airspring	21222673FS
12	Bolt, M12 x 55	99526000
13	Spring washer, M12	99510003
14	U bolt nut, M24	21222243
15	U bolt washer, M24	21222923
16	Pivot nut, M30	99527003
16	Pivot nut, M24	99527004 ⁽³⁾
17	Pivot washer, M30	99513008
17	Pivot washer, M24	99513007 ⁽³⁾
18	Damper nut, M24	99527004
19	Damper washer, M24	99513007
20	Nut, M12	99527000
21	Washer, M12	99513006
24	Tracking bush, eccentric*, M30	21222221
24	Tracking bush, eccentric*, M24	21228663 ⁽³⁾
25	Tracking bush, concentric*, M30	21222287
25	Tracking bush, concentric*, M24	21228664 ⁽³⁾
26	Wear plate, tracked, M30	21222223
26	Wear plate, untracked, M30	21222690
26	Wear plate, tracked, M24	21224386 ⁽³⁾
27	Offset support plate (offset mm)	21222248-52 (95,75,45,30,0)
28	Stud, M16	21222255
29	Nut, M16	99527002
30	Washer, M16	99513009

⁽³⁾ After December 2000

⁽⁴⁾ After June 1997

* If the pivot eye tracking is not fitted then tracking bushes are not supplied as they are prewelded to the frame mounting brackets.

1
LM & LC

2
TA & TC

3
TE

4
TM

5
STEERING
AXLES

6
FLEXAIR
FLEXLITE

7
INDAIR

8
SMT

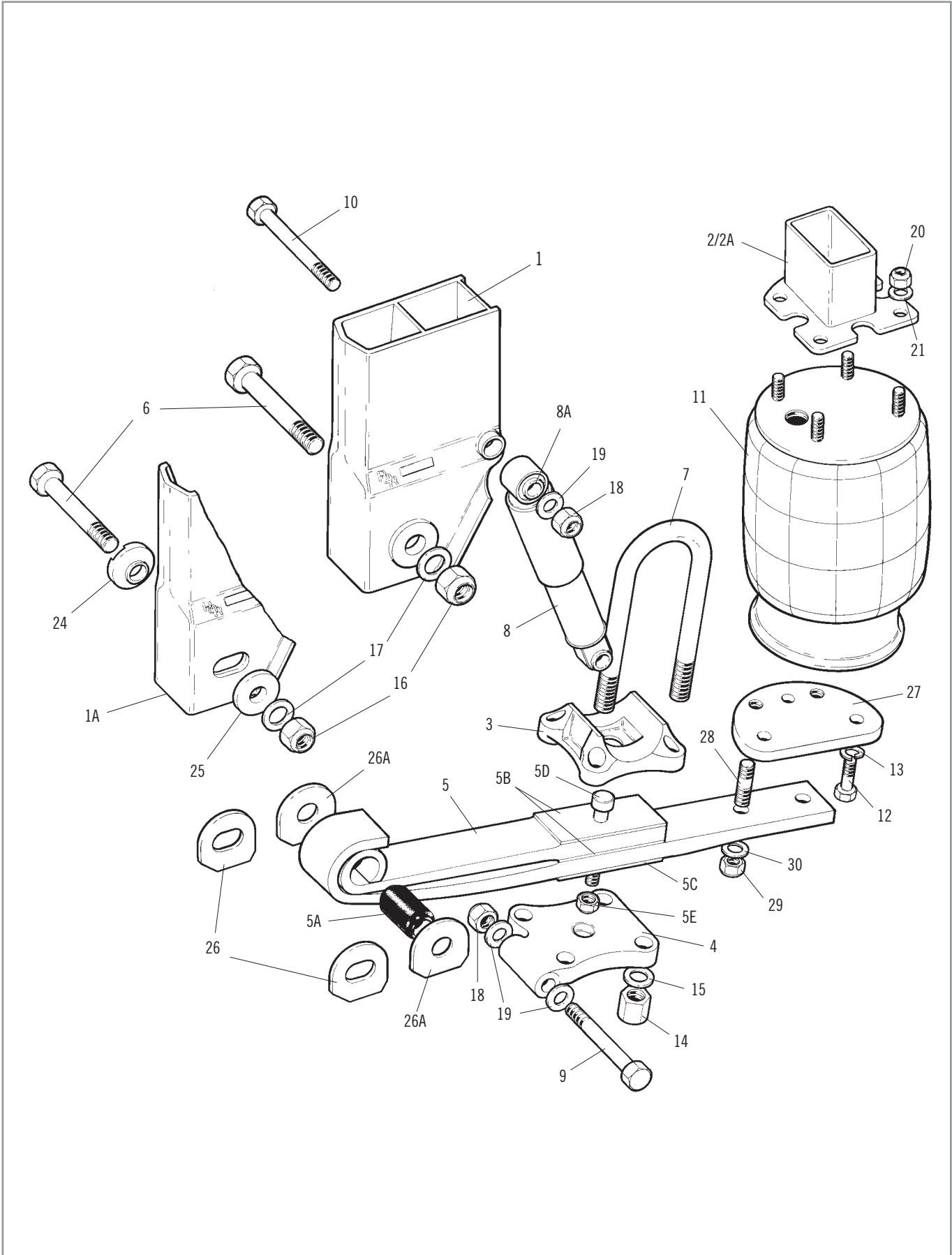
9
AXL KITS



FLEXAIR PARTS LIST

FL11000

- 1
LM & LC
- 2
TA & TC
- 3
TE
- 4
TM
- 5
STEERING AXLES
- 6
FLEXAIR FLEXLITE
- 7
INDAI
- 8
SMT
- 9
AXL KITS



FLEXAIR PARTS LIST

FL11000



Item	Description	Part Number
1	Frame mounting bracket, untracked, (ride height mm)	21221981-90 (250-475)
1A	Frame mounting bracket, tracked L/H, (ride height mm)	21221981L-90L (250-475)
1A	Frame mounting bracket, tracked R/H, (ride height mm)	21221981R-90R (250-475)
1	Frame mounting bracket, untracked, (ride height mm)	21222716-25 (250-475) ⁽²⁾
1A	Frame mounting bracket, tracked L/H, (ride height mm)	21222716L-25L (250-475) ⁽²⁾
1A	Frame mounting bracket, tracked R/H, (ride height mm)	21222716R-25R (250-475) ⁽²⁾
2	Airspring pedestal plate, (ride height mm)	21222452 (250)
2A	Airspring pedestal assembly, (ride height mm)	21221994-2002 (275-475)
3	Spring seat	21222262
4	U bolt plate, L/H	21224436
4	U bolt plate, R/H	21224437
5	Trailing arm assembly, c/w bush, M30	21225499
5A	Pivot bush, M30	21222609
5B	Shim	21222198
5C	Shim	21222436
5D	Bolt, M16 x 121	21222196
5E	Nut, M16	99527002
6	Pivot bolt, M30 x 200	21222234
7	U bolt, M24 x 315	21222326
8	Damper	21224034
8	Damper	21224745 ⁽²⁾
8A	Damper bush	DBK1
9	Damper bolt - bottom, M24 x 195	21222230
10	Damper bolt - top, M24 x 250	21222231
11	Airspring	2122239FS
12	Bolt, M12 x 35	99526000
13	Spring washer, M12	99510003
14	U bolt nut, M24	21222243
15	U bolt washer, M24	21222923
16	Pivot nut, M30	99527003
17	Pivot washer, M30	99513008
18	Damper nut, M24	99527004
19	Damper washer, M24	99513007
20	Nut, M12	99527000
21	Washer, M12	99513006
24	Tracking bush, eccentric*, M30	21222221
25	Tracking bush, concentric*, M30	21222287
26	Wear plate, tracked, M30	21222223
26A	Wear plate, untracked, M30	21222690
27	Offset support plate (offset mm)	21222248-52 (95,75,45,30,0)
28	Stud, M16	21222255
29	Nut, M16	99527002
30	Washer, M16	99513009

⁽²⁾ After April 1993

* If the pivot eye tracking is not fitted then tracking bushes are not supplied as they are prewelded to the frame mounting brackets.

1
LM & LC

2
TA & TC

3
TE

4
TM

5
STEERING AXLES

6
FLEXAIR FLEXLITE

7
INDAIR

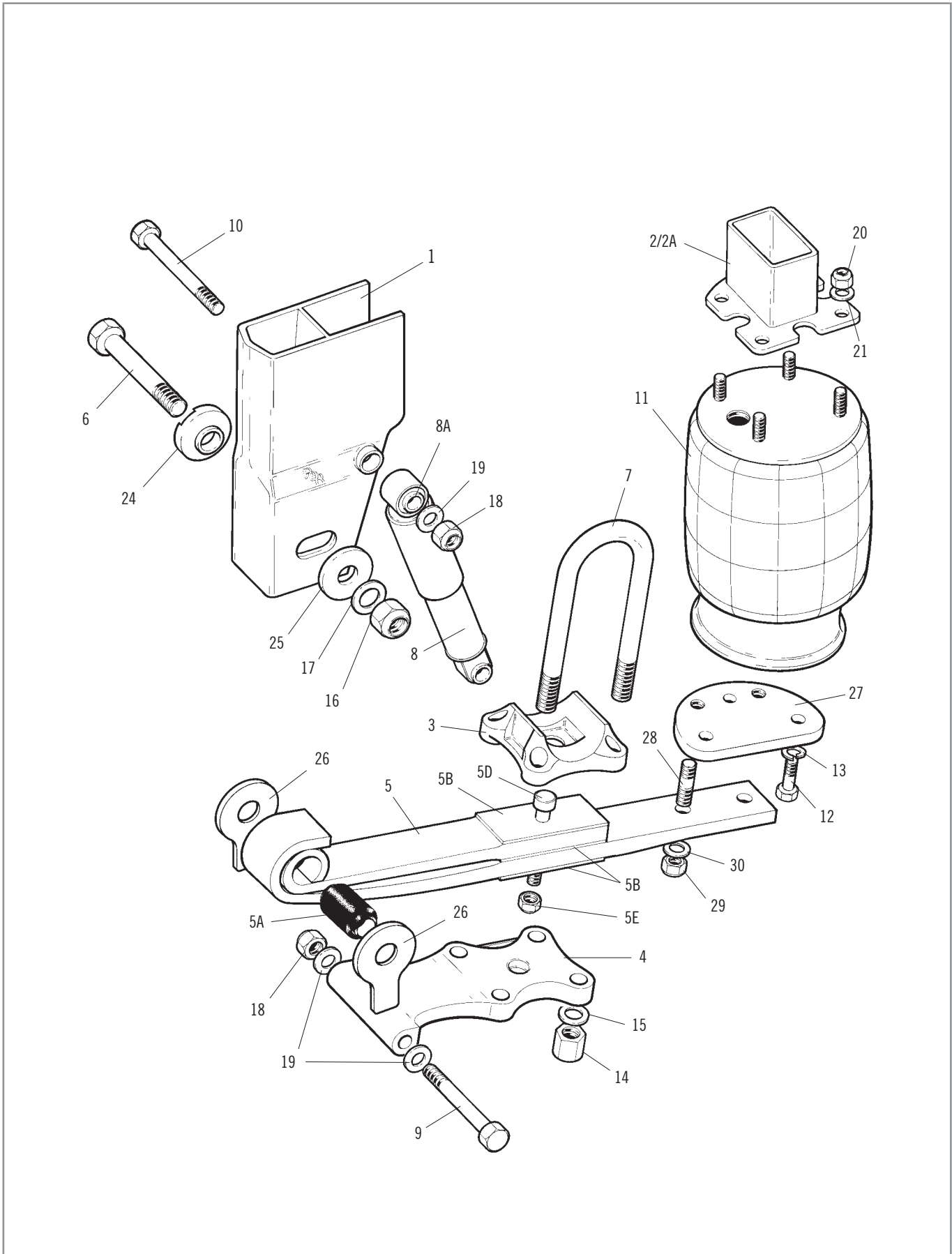
8
SMT

9
AXL KITS

FLEXAIR PARTS LIST

FP11000

- 1
LM & LC
- 2
TA & TC
- 3
TE
- 4
TM
- 5
STEERING AXLES
- 6
FLEXAIR FLEXLITE
- 7
INDAI
- 8
SMT
- 9
AXL KITS



FLEXAIR PARTS LIST

FP11000



Item	Description	Part Number
1A	Frame mounting bracket, tracked L/H, (ride height mm)	21226736L-41L (250-500)
1A	Frame mounting bracket, tracked R/H, (ride height mm)	21226736R-41R (250-500)
2	Airspring pedestal plate, (ride height mm)	21222452 (250)
2A	Airspring pedestal assembly, (ride height mm)	21221995 (300)
2A	Airspring pedestal assembly, (ride height mm)	21221997 (350)
2A	Airspring pedestal assembly, (ride height mm)	21221999 (400)
2A	Airspring pedestal assembly, (ride height mm)	21222001 (450)
2A	Airspring pedestal assembly, (ride height mm)	21226487 (500)
3	Spring seat	21222262
4	U bolt plate	21226999
5	Trailing arm assembly, c/w bush, M30	21225499
5A	Pivot bush, M30	21222609
5B	Shim	21222198
5C	Shim	21222198
5D	Bolt, M16 x 121	21222196
5E	Nut, M16	99527002
6	Pivot bolt, M30 x 200	21222234
7	U bolt, M24 x 315	21222326
8	Damper	21226989
9	Damper bolt - bottom, M24 x 300	21222233
10	Damper bolt - top, M24 x 300	21222233
11	Airspring	2122239FS
12	Bolt, M12 x 35	99526000
13	Spring washer, M12	99510003
14	U bolt nut, M24	21222243
15	U bolt washer, M24	21222923
16	Pivot nut, M30	99527003
17	Pivot washer, M30	99513008
18	Damper nut, M24	99527004
19	Damper washer, M24	99513007
20	Nut, M12	99527000
21	Washer, M12	99513006
24	Tracking bush, eccentric*, M30	21227374
25	Tracking bush, concentric*, M30	21227373
26	Wear plate, tracked, M30	21227262
27	Offset support plate (offset mm)	21222248-52 (95,75,45,30,0)
28	Stud, M16	21222255
29	Nut, M16	99527002
30	Washer, M16	99513009

1
LM & LC

2
TA & TC

3
TE

4
TM

5
STEERING AXLES

6
FLEXAIR FLEXLITE

7
INDAIR

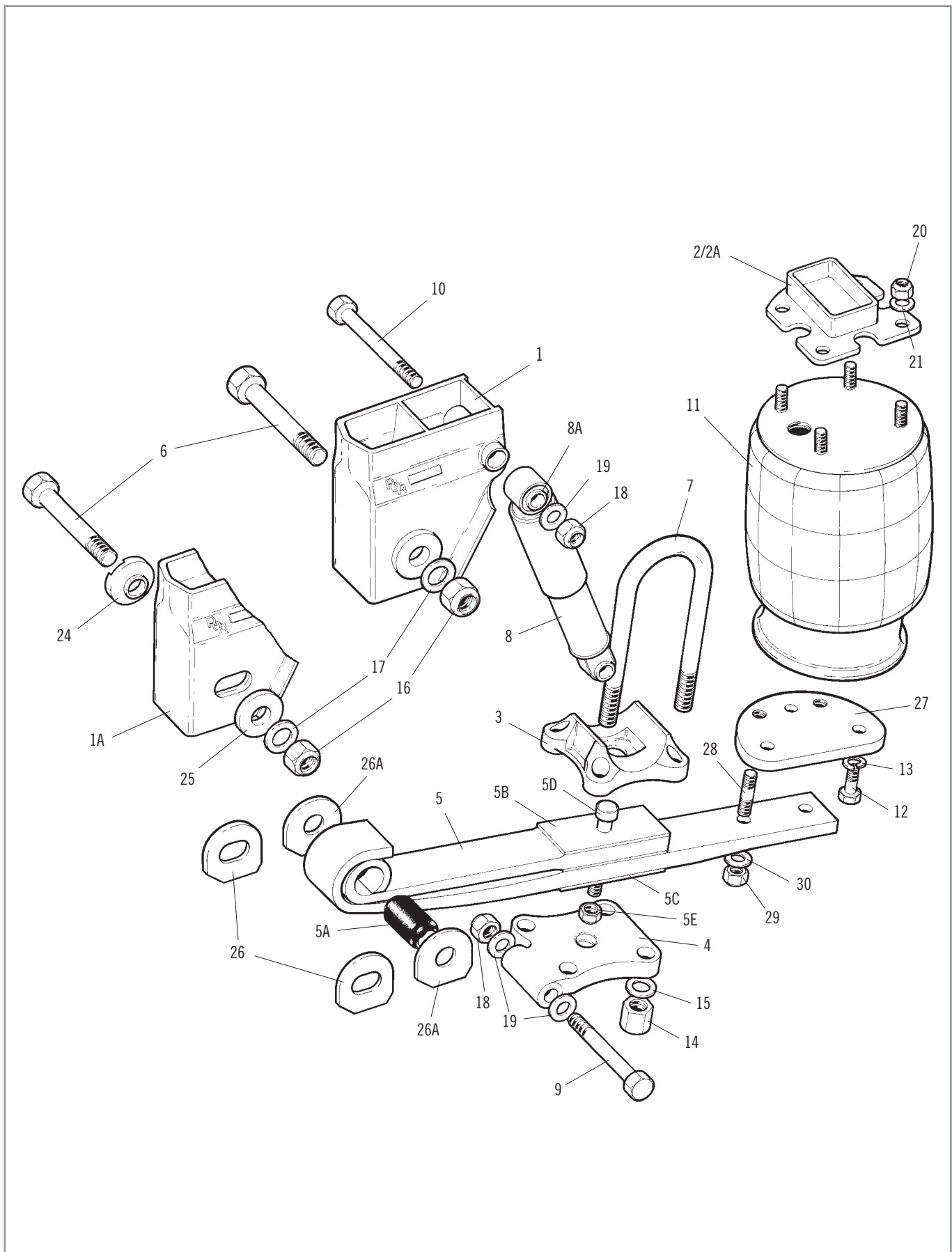
8
SMT

9
AXL KITS

FLEXAIR PARTS LIST

FL11000L

- 1
LM & LC
- 2
TA & TC
- 3
TE
- 4
TM
- 5
STEERING AXLES
- 6**
FLEXAIR FLEXLITE
- 7
INDAI
- 8
SMT
- 9
AXL KITS



FLEXAIR PARTS LIST

FL11000L



Item	Description	Part Number
1	Frame mounting bracket, untracked, (ride height mm)	21222714-16 (200-250)
1A	Frame mounting bracket, tracked L/H, (ride height mm)	21222714L-16L (200-250)
1A	Frame mounting bracket, tracked R/H, (ride height mm)	21222714R-16R (200-250)
2	Airspring pedestal plate, (ride height mm)	21222452 (200)
2A	Airspring pedestal assembly, (ride height mm)	21221994-95 (225-250)
3	Spring seat	21222262
4	U bolt plate, L/H	21222436
4	U bolt plate, R/H	21222437
5	Trailing arm assembly, c/w bush, M30	21225499
5A	Pivot bush, M30	21222609
5B	Shim	21222198
5C	Shim	21222436
5D	Bolt, M16 x 121	21222196
5E	Nut, M16	99527002
6	Pivot bolt, M30 x 200	21222234
7	U bolt, M24 x 315	21222326
8	Damper	21224745
8A	Damper bush	DBK1
9	Damper bolt - bottom, M24 x 195	21222230
10	Damper bolt - top, M24 x 250	21222231
11	Airspring	21208082FS
12	Bolt, M12 x 35	99526000
13	Spring washer, M12	99510003
14	U bolt nut, M24	21222243
15	U bolt washer, M24	21222923
16	Pivot nut, M30	99527003
17	Pivot washer, M30	99513008
18	Damper nut, M24	99527004
19	Damper washer, M24	99513007
20	Nut, M12	99527000
21	Washer, M12	99513006
24	Tracking bush, eccentric*, M30	21222221
25	Tracking bush, concentric*, M30	21222287
26	Wear plate, tracked, M30	21222223
26A	Wear plate, untracked, M30	21222690
27	Offset support plate (offset mm)	21222248-52 (95,75,45,30,0)
28	Stud, M16	21222255
29	Nut, M16	99527002
30	Washer, M16	99513009

* If the pivot eye tracking is not fitted then tracking bushes are not supplied as they are prewelded to the frame mounting brackets.

1
LM & LC

2
TA & TC

3
TE

4
TM

5
STEERING
AXLES

6
FLEXAIR
FLEXLITE

7
INDAIR

8
SMT

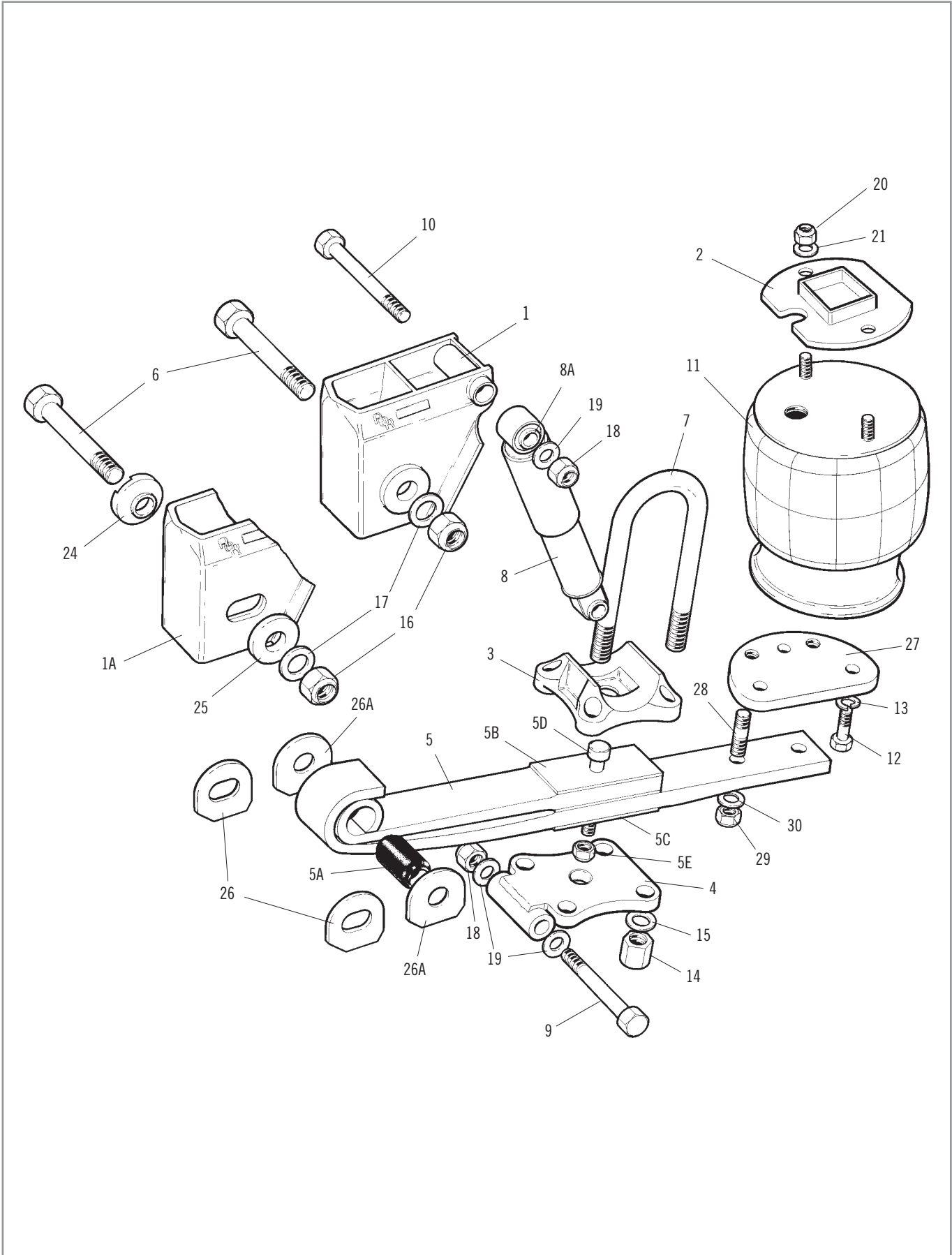
9
AXL KITS



FLEXAIR PARTS LIST

FL11000/150

- 1
LM & LC
- 2
TA & TC
- 3
TE
- 4
TM
- 5
STEERING AXLES
- 6**
FLEXAIR FLEXLITE
- 7
INDAI
- 8
SMT
- 9
AXL KITS



FLEXAIR PARTS LIST

FL11000/150



Item	Description	Part Number
1	Frame mounting bracket, untracked, (ride height mm)	21222714 (150)
1A	Frame mounting bracket, tracked L/H, (ride height mm)	21222714L (150)
1A	Frame mounting bracket, tracked R/H, (ride height mm)	21222714R (150)
2	Airspring pedestal plate, (ride height mm)	21223263 (150)
3	Spring seat	21222262
4	U bolt plate	21223262
5	Trailing arm assembly, c/w bush, M30	21225499
5A	Pivot bush, M30	21222609
5B	Shim	21222198
5C	Shim	21222436
5D	Bolt, M16 x 121	21222196
5E	Nut, M16	99527002
6	Pivot bolt, M30 x 200	21222234
7	U bolt, M24 x 315	21222326
8	Damper	21224745
8A	Damper bush	DBK2
9	Damper bolt - bottom, M24 x 250	21222231
10	Damper bolt - top, M24 x 250	21222231
11	Airspring	21223269FS
12	Bolt, M12 x 25	99526001
13	Spring washer, M12	99510003
14	U bolt nut, M24	21222243
15	U bolt washer, M24	21222923
16	Pivot nut, M30	99527003
17	Pivot washer, M30	99513008
18	Damper nut, M24	99527004
19	Damper washer, M24	99513007
20	Nut, 1/2" UNC	93400136
21	Washer, 1/2"	93600072
24	Tracking bush, eccentric*, M30	21222221
25	Tracking bush, concentric*, M30	21222287
26	Wear plate, tracked, M30	21222223
26A	Wear plate, untracked, M30	21222690
27	Offset support plate (offset mm)	21222248-52 (95,75,45,30,0)
28	Stud, M16	21222255
29	Nut, M16	99527002
30	Washer, M16	99513009

* If the pivot eye tracking is not fitted then tracking bushes are not supplied as they are prewelded to the frame mounting brackets.

1
LM & LC

2
TA & TC

3
TE

4
TM

5
STEERING AXLES

6
FLEXAIR FLEXLITE

7
INDAIR

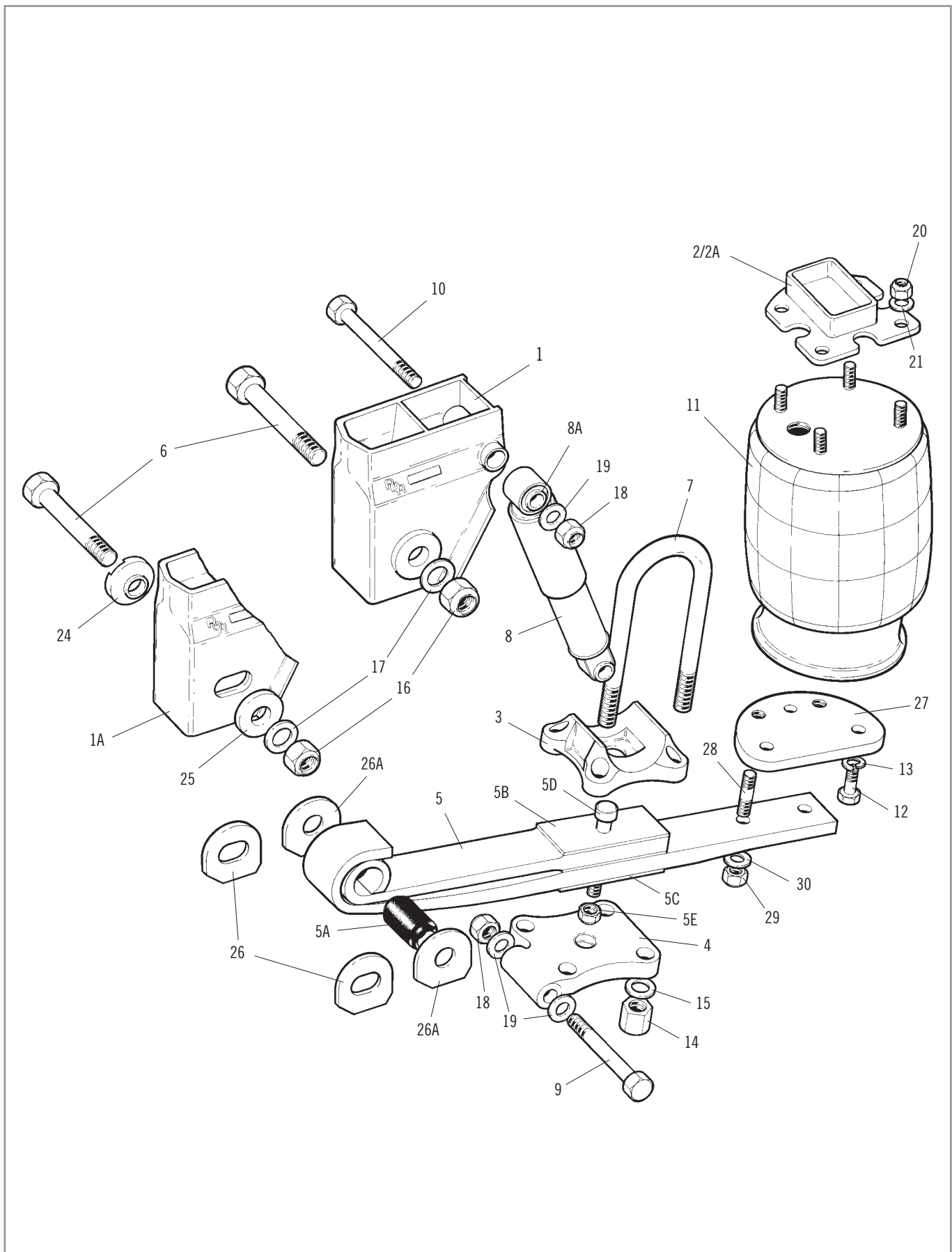
8
SMT

9
AXL KITS

FLEXAIR PARTS LIST

FL11000D

- 1
LM & LC
- 2
TA & TC
- 3
TE
- 4
TM
- 5
STEERING AXLES
- 6
FLEXAIR FLEXLITE
- 7
INDAI
- 8
SMT
- 9
AXL KITS



FLEXAIR PARTS LIST

FL11000D



Item	Description	Part Number
1	Frame mounting bracket, untracked, (ride height mm)	21222715-24 (225-450)
1A	Frame mounting bracket, tracked L/H, (ride height mm)	21222715L-24L (225-450)
1A	Frame mounting bracket, tracked R/H, (ride height mm)	21222715R-24R (225-450)
2	Airspring pedestal plate, (ride height mm)	21222452 (225)
2A	Airspring pedestal assembly, (ride height mm)	21221994-02 (250-450)
3	Spring seat	21222262
4	U bolt plate, L/H	21222436
4	U bolt plate, R/H	21222437
5	Trailing arm assembly, c/w bush, M30	21225499
5A	Pivot bush, M30	21222609
5B	Shim	21222198
5C	Shim	21222436
5D	Bolt, M16 x 121	21222196
5E	Nut, M16	99527002
6	Pivot bolt, M30 x 200	21222234
7	U bolt, M24 x 315	21222326
8	Damper	21224034
8A	Damper bush	DBK1
9	Damper bolt - bottom, M24 x 195	21222230
10	Damper bolt - top, M24 x 250	21222231
11	Airspring	21222673FS
12	Bolt, M12 x 35	99526000
13	Spring washer, M12	99510003
14	U bolt nut, M24	21222243
15	U bolt washer, M24	21222923
16	Pivot nut, M30	99527003
17	Pivot washer, M30	99513008
18	Damper nut, M24	99527004
19	Damper washer, M24	99513007
20	Nut, M12	99527000
21	Washer, M12	99513006
24	Tracking bush, eccentric*, M30	21222221
25	Tracking bush, concentric*, M30	21222287
26	Wear plate, tracked, M30	21222223
26A	Wear plate, untracked, M30	21222690
27	Offset support plate (offset mm)	21222248-52 (95,75,45,30,0)
28	Stud, M16	21222255
29	Nut, M16	99527002
30	Washer, M16	99513009

* If the pivot eye tracking is not fitted then tracking bushes are not supplied as they are prewelded to the frame mounting brackets.

1
LM & LC

2
TA & TC

3
TE

4
TM

5
STEERING
AXLES

6
FLEXAIR
FLEXLITE

7
INDAIR

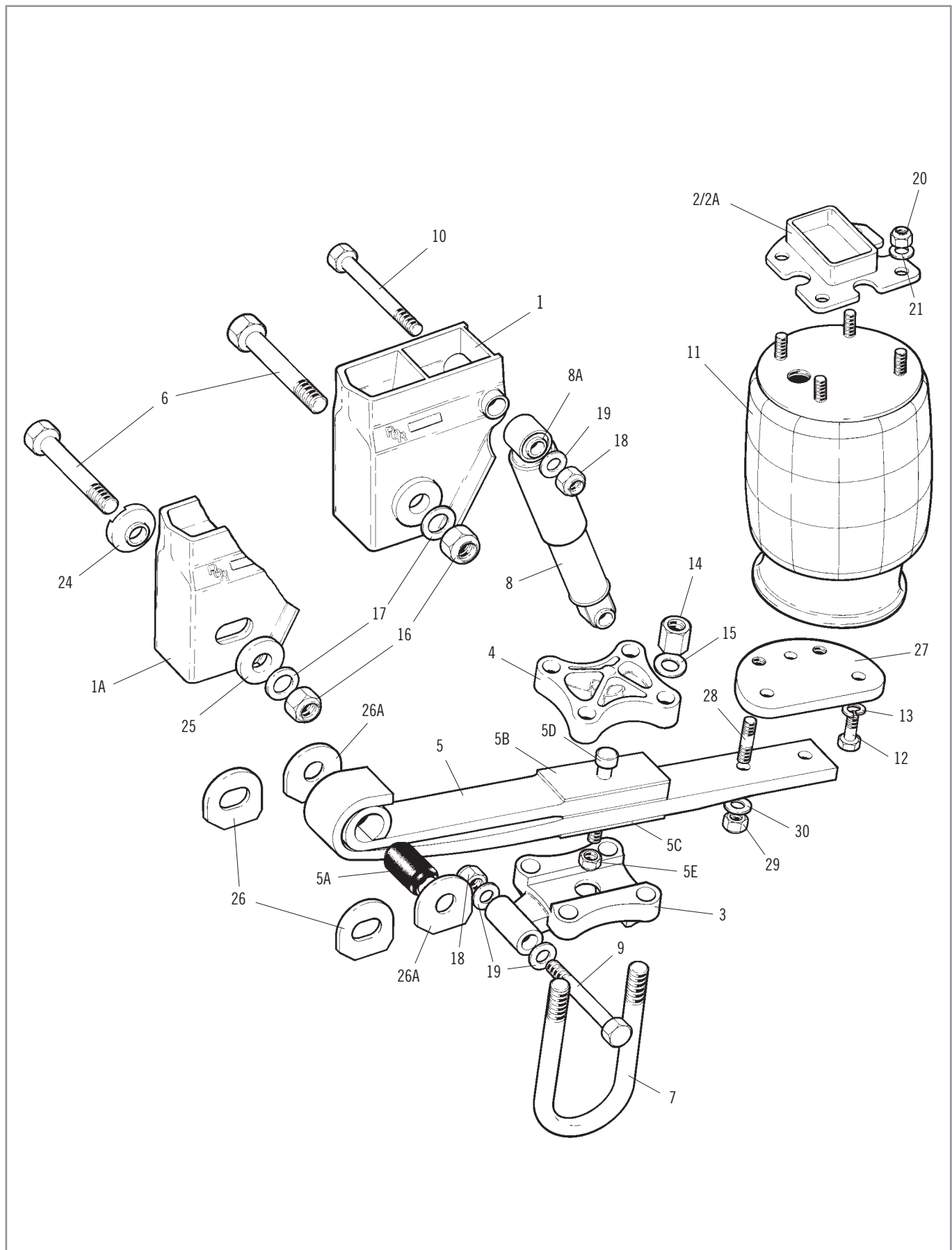
8
SMT

9
AXL KITS

FLEXAIR PARTS LIST

FL11000B

- 1
LM & LC
- 2
TA & TC
- 3
TE
- 4
TM
- 5
STEERING AXLES
- 6
FLEXAIR FLEXLITE
- 7
INDAI
- 8
SMT
- 9
AXL KITS



FLEXAIR PARTS LIST

FL11000B



Item	Description	Part Number
1	Frame mounting bracket, untracked, (ride height mm)	21222716-25 (500-725)
1A	Frame mounting bracket, tracked L/H, (ride height mm)	21222716L-25L (500-725)
1A	Frame mounting bracket, tracked R/H, (ride height mm)	21222716R-25R (500-725)
2	Airspring pedestal plate, (ride height mm)	21222452 (500)
2A	Airspring pedestal assembly, (ride height mm)	21221994-02 (525-725)
3	Spring seat, L/H	21225274L
3	Spring seat, R/H	21225274R
4	U bolt plate	21222395
5	Trailing arm assembly, c/w bush, M30	21225419
5A	Pivot bush, M30	21222609
5B	Shim	21222198
5C	Shim	21222436
5D	Bolt, M16 x 121	21222196
5E	Nut, M16	99527002
6	Pivot bolt, M30 x 200	21222234
7	U bolt, M24 x 315	21222326
8	Damper	21224745
8A	Damper bush	DBK2
9	Damper bolt - bottom, M24 x 195	21222230
10	Damper bolt - top, M24 x 250	21222231
11	Airspring	21222239FS
12	Bolt, M12 x 35	99526000
13	Spring washer, M12	99510003
14	U bolt nut, M24	21222243
15	U bolt washer, M24	21222923
16	Pivot nut, M30	99527003
17	Pivot washer, M30	99513008
18	Damper nut, M24	99527004
19	Damper washer, M24	99513007
20	Nut, M12	99527000
21	Washer, M12	99513006
24	Tracking bush, eccentric*, M30	21222221
25	Tracking bush, concentric*, M30	21222287
26	Wear plate, tracked, M30	21222223
26A	Wear plate, untracked, M30	21222690
27	Offset support plate (offset mm)	21222248-52 (95,75,45,30,0)
28	Stud, M16	21222255
29	Nut, M16	99527002
30	Washer, M16	99513009

* If the pivot eye tracking is not fitted then tracking bushes are not supplied as they are prewelded to the frame mounting brackets.

1
LM & LC

2
TA & TC

3
TE

4
TM

5
STEERING
AXLES

6
FLEXAIR
FLEXLITE

7
INDAIR

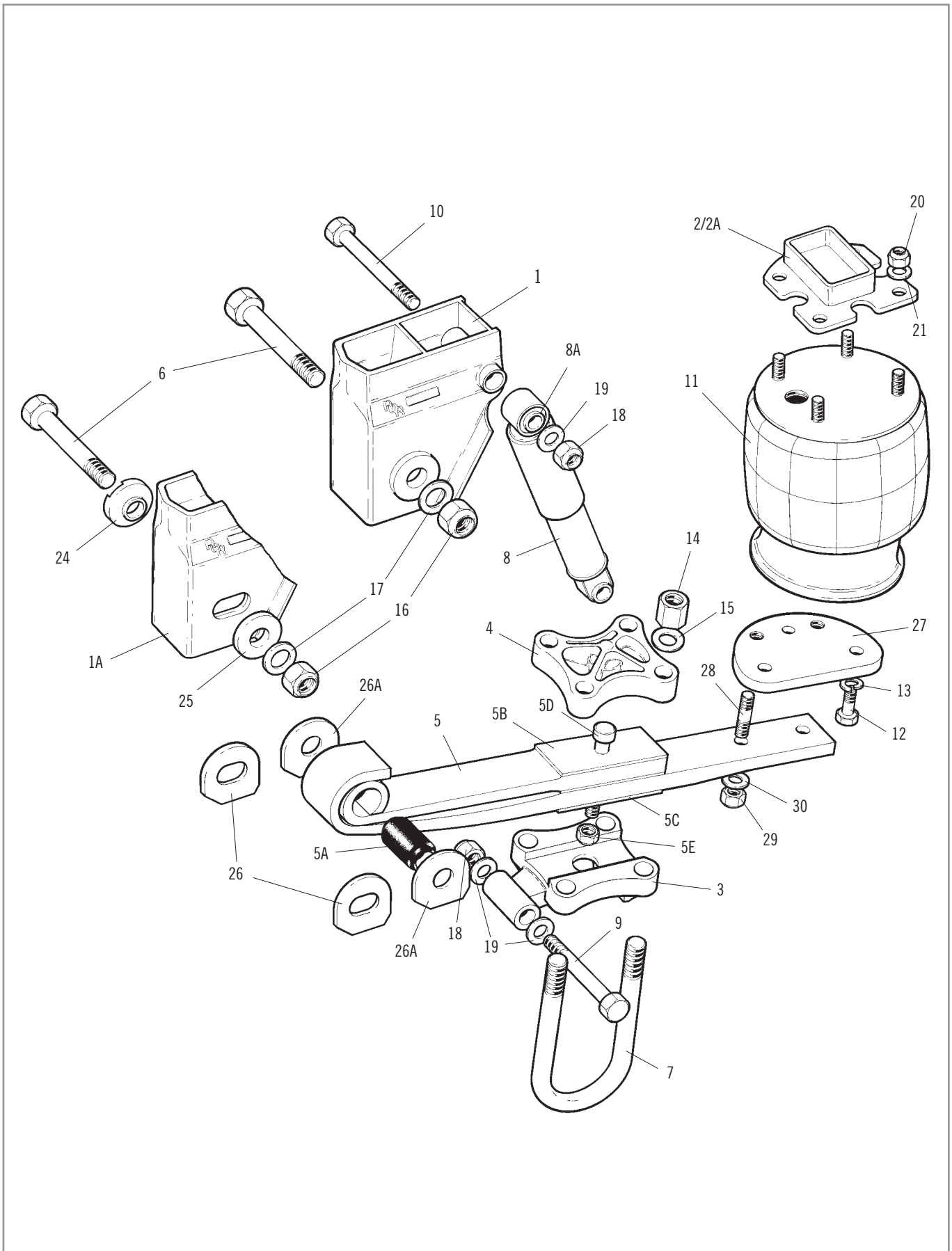
8
SMT

9
AXL KITS

FLEXAIR PARTS LIST

FL11000LB

- 1
LM & LC
- 2
TA & TC
- 3
TE
- 4
TM
- 5
STEERING AXLES
- 6
FLEXAIR FLEXLITE
- 7
INDAI
- 8
SMT
- 9
AXL KITS



FLEXAIR PARTS LIST

FL11000LB



Item	Description	Part Number
1	Frame mounting bracket, untracked, (ride height mm)	21222714-16 (450-500)
1A	Frame mounting bracket, tracked L/H, (ride height mm)	21222714L-16L (450-500)
1A	Frame mounting bracket, tracked R/H, (ride height mm)	21222714R-16R (450-500)
2	Airspring pedestal plate, (ride height mm)	21222452 (450)
2A	Airspring pedestal assembly, (ride height mm)	21221994-95 (475-500)
3	Spring seat, L/H	21225274L
3	Spring seat, R/H	21225274R
4	U bolt plate	21222395
5	Trailing arm assembly, c/w bush, M30	21225419
5A	Pivot bush, M30	21222609
5B	Shim	21222198
5C	Shim	21222436
5D	Bolt, M16 x 121	21222196
5E	Nut, M16	99527002
6	Pivot bolt, M30 x 200	21222234
7	U bolt, M24 x 315	21222326
8	Damper	21224745
8A	Damper bush	DBK2
9	Damper bolt - bottom, M24 x 195	21222230
10	Damper bolt - top, M24 x 250	21222231
11	Airspring	21208082FS
12	Bolt, M12 x 35	99526000
13	Spring washer, M12	99510003
14	U bolt nut, M24	21222243
15	U bolt washer, M24	21222923
16	Pivot nut, M30	99527003
17	Pivot washer, M30	99513008
18	Damper nut, M24	99527004
19	Damper washer, M24	99513007
20	Nut, M12	99527000
21	Washer, M12	99513006
24	Tracking bush, eccentric*, M30	21222221
25	Tracking bush, concentric*, M30	21222287
26	Wear plate, tracked, M30	21222223
26A	Wear plate, untracked, M30	21222690
27	Offset support plate (offset mm)	21222248-52 (95,75,45,30,0)
28	Stud, M16	21222255
29	Nut, M16	99527002
30	Washer, M16	99513009

* If the pivot eye tracking is not fitted then tracking bushes are not supplied as they are prewelded to the frame mounting brackets.

1
LM & LC

2
TA & TC

3
TE

4
TM

5
STEERING
AXLES

6
FLEXAIR
FLEXLITE

7
INDAIR

8
SMT

9
AXL KITS

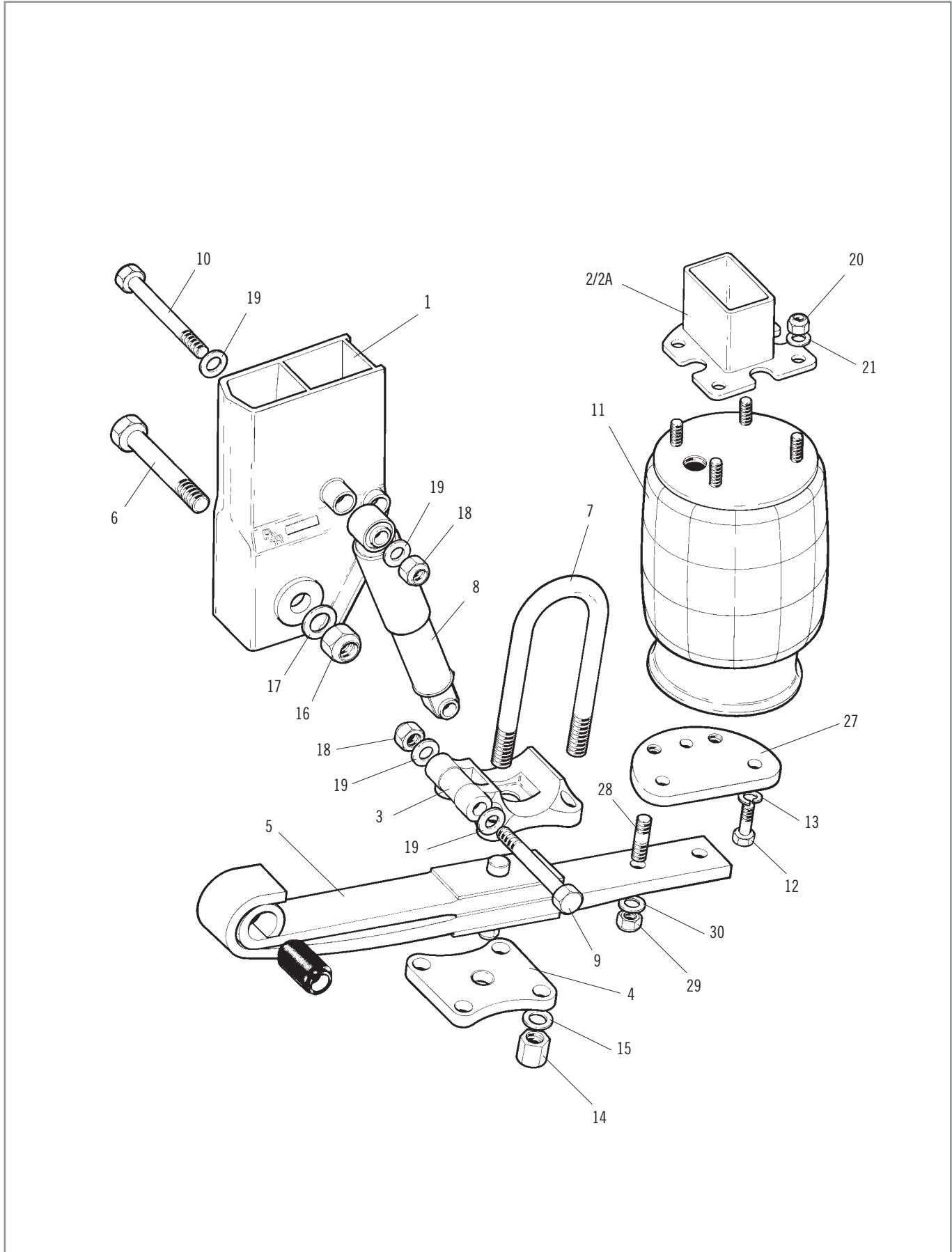


FLEXAIR PARTS LIST

FL11000CT

(Suitable for use with Hosta or Tridtec)

- 1 LM & LC
- 2 TA & TC
- 3 TE
- 4 TM
- 5 STEERING AXLES
- 6 FLEXAIR FLEXLITE
- 7 INDAL
- 8 SMT
- 9 AXL KITS



FLEXAIR PARTS LIST

FL11000CT

(Suitable for use with Hosta or Tridec)



Item	Description	Part Number
1	Frame mounting bracket, untracked, (ride height mm)	21221981-90 (250-475)
2	Airspring pedestal plate, (ride height mm)	21222452 (250)
2A	Airspring pedestal assembly, (ride height mm)	21221994-02 (275-475)
3	Spring seat	21222399
4	U bolt plate	21222395
5	Trailing arm assembly, c/w bush, M30	21225499
6	Pivot bolt, M30 x 200	21222234
7	U bolt, M24 x 315	21222326
8	Damper	21224745
8A	Damper bush	DBK2
9	Damper bolt - bottom, M24 x 250	21222231
10	Damper bolt - top, M24 x 250	21222231
11	Airspring	21222239FS
12	Bolt, M12 x 35	99526000
13	Spring washer, M12	99510003
14	U bolt nut, M24	21222243
15	U bolt washer, M24	21222923
16	Pivot nut, M30	99527003
17	Pivot washer, M30	99513008
18	Damper nut, M24	99527004
19	Damper washer, M24	99513007
20	Nut, M12	99527000
21	Washer, M12	99513006
27	Offset support plate (offset mm)	21222249 (75)
28	Stud, M16	21222255
29	Nut, M16	99527002
30	Washer, M16	99513009

1
LM & LC

2
TA & TC

3
TE

4
TM

5
STEERING AXLES

6
FLEXAIR FLEXLITE

7
INDAIR

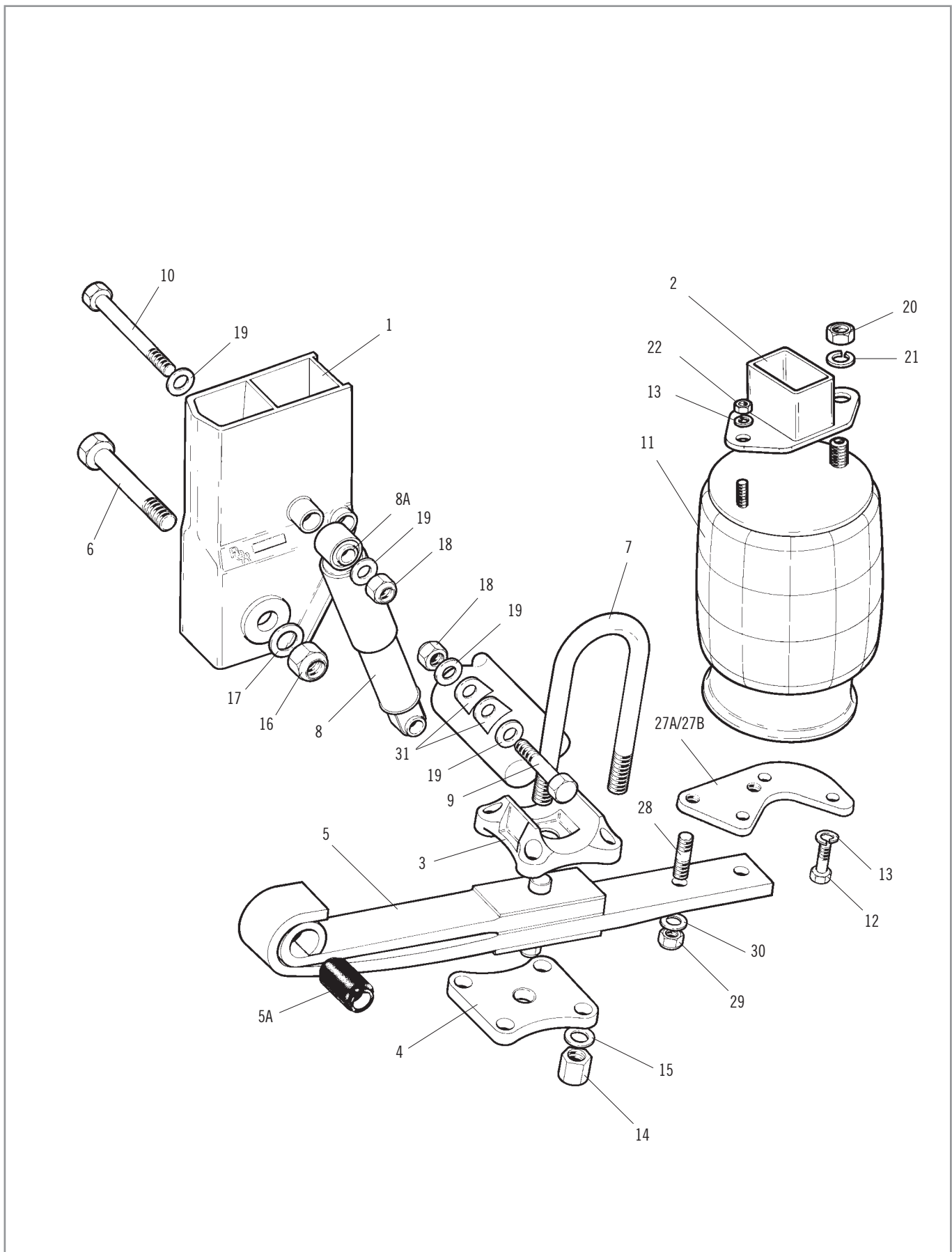
8
SMT

9
AXL KITS

FLEXAIR PARTS LIST

FL11000CS

- 1
LM & LC
- 2
TA & TC
- 3
TE
- 4
TM
- 5
STEERING AXLES
- 6
FLEXAIR FLEXLITE
- 7
INDAI
- 8
SMT
- 9
AXL KITS



FLEXAIR PARTS LIST

FL11000CS



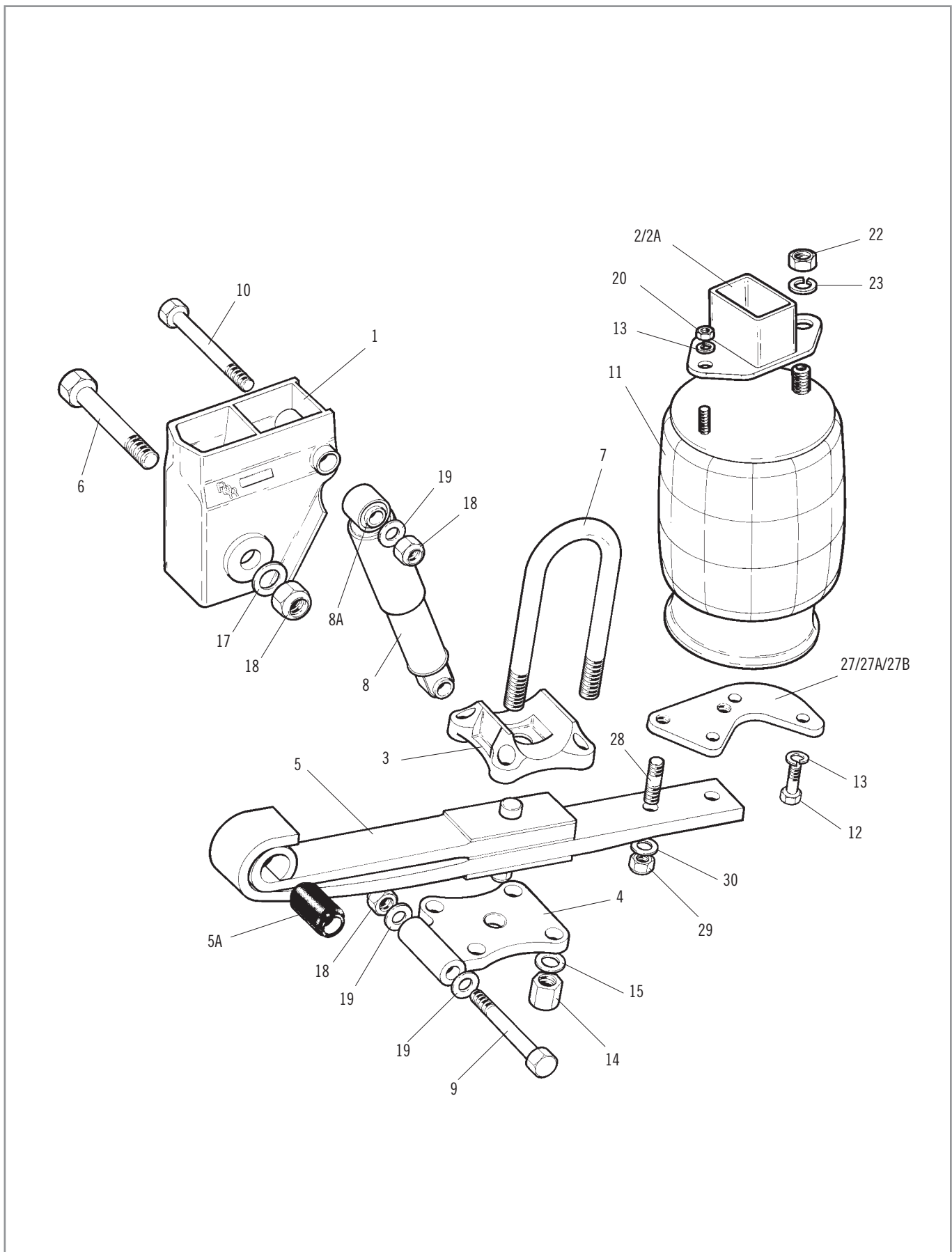
Item	Description	Part Number
1	Frame mounting bracket, untracked, (ride height mm)	21223703-09 (325-475)
2A	Airspring pedestal assembly, (ride height mm)	21215776-80 (325-425)
2A	Airspring pedestal assembly, (ride height mm)	21215917-18 (450-475)
3	Spring seat	21222262
4	U bolt plate	21222395
5	Trailing arm assembly, c/w bush, M30	21225499
5A	Pivot bush, M30	21222609
6	Pivot bolt, M30 x 200	21222234
7	U bolt, M24 x 315	21222326
8	Damper	21224745
8A	Damper bush	DBK2
9	Damper bolt - bottom, M24 x 110	21208315
10	Damper bolt - top, M24 x 300	21222233
11	Airspring	21215891FS
12	Bolt, M12 x 35	99526000
13	Spring washer, M12	99510003
14	U bolt nut, M24	21222243
15	U bolt washer, M24	21222923
16	Pivot nut, M30	99527003
17	Pivot washer, M30	99513008
18	Damper nut, M24	99527004
19	Damper washer, M24	99513007
20	Nut, M12	99512007
22	Nut, M22	99528001
23	Washer, M22	99510004
27A	Offset support plate, L/H (offset mm)	21215796 (75)
27B	Offset support plate, R/H (offset mm)	21215795 (75)
28	Stud, M16	21222255
29	Nut, M16	99527002
30	Washer, M16	99513009
31	Damper bracket, welded to axle beam	21223701

- 1 LM & LC
- 2 TA & TC
- 3 TE
- 4 TM
- 5 STEERING AXLES
- 6 FLEXAIR FLEXLITE
- 7 INDAIR
- 8 SMT
- 9 AXL KITS

FLEXAIR PARTS LIST

FL11000LS

- 1
LM & LG
- 2
TA & TC
- 3
TE
- 4
TM
- 5
STEERING AXLES
- 6**
FLEXAIR FLEXLITE
- 7
INDAI
- 8
SMT
- 9
AXL KITS



FLEXAIR PARTS LIST

FL11000LS



Item	Description	Part Number
1	Frame mounting bracket, untracked, (ride height mm)	21222714-16 (200-250)
2	Airspring pedestal plate, (ride height mm)	21208858 (200)
2A	Airspring pedestal assembly, (ride height mm)	21215773-4 (225-250)
3	Spring seat	21222262
4	U bolt plate	21224437
5	Trailing arm assembly, c/w bush, M30, UK	21225499
5	Trailing arm assembly, c/w bush, M30, Italia	21215600
6	Pivot bolt, M30 x 200	21222234
7	U bolt, M24 x 315	21222326
8	Damper	21224745
8A	Damper bush	DBK2
9	Damper bolt - bottom, M24 x 195	21222230
10	Damper bolt - top, M24 x 250	21222231
11	Airspring	21215762FS
12	Bolt, M12 x 35	99526000
13	Spring washer, M12	99510003
14	U bolt nut, M24	21222243
15	U bolt washer, M24	21222923
16	Pivot nut, M30	99527003
17	Pivot washer, M30	99513008
18	Damper nut, M24	99527004
19	Damper washer, M24	99513007
20	Nut, M12	99512007
22	Nut, M22	99528001
23	Washer, M22	99510004
27	Offset support plate, UK, (offset mm)	21225420 (0)
27A	Offset support plate, UK, L/H (offset mm)	21215796 (75)
27B	Offset support plate, UK, R/H (offset mm)	21215795 (75)
27	Offset support plate, Italia, (offset mm)	21215794 (0)
27A	Offset support plate, Italia, L/H (offset mm)	21212481D (75)
27B	Offset support plate, Italia, R/H (offset mm)	21212481S (75)
28	Stud, M16	21222255
29	Nut, M16	99527002
30	Washer, M16	99513009

1
LM & LC

2
TA & TC

3
TE

4
TM

5
STEERING AXLES

6
FLEXAIR FLEXLITE

7
INDAIR

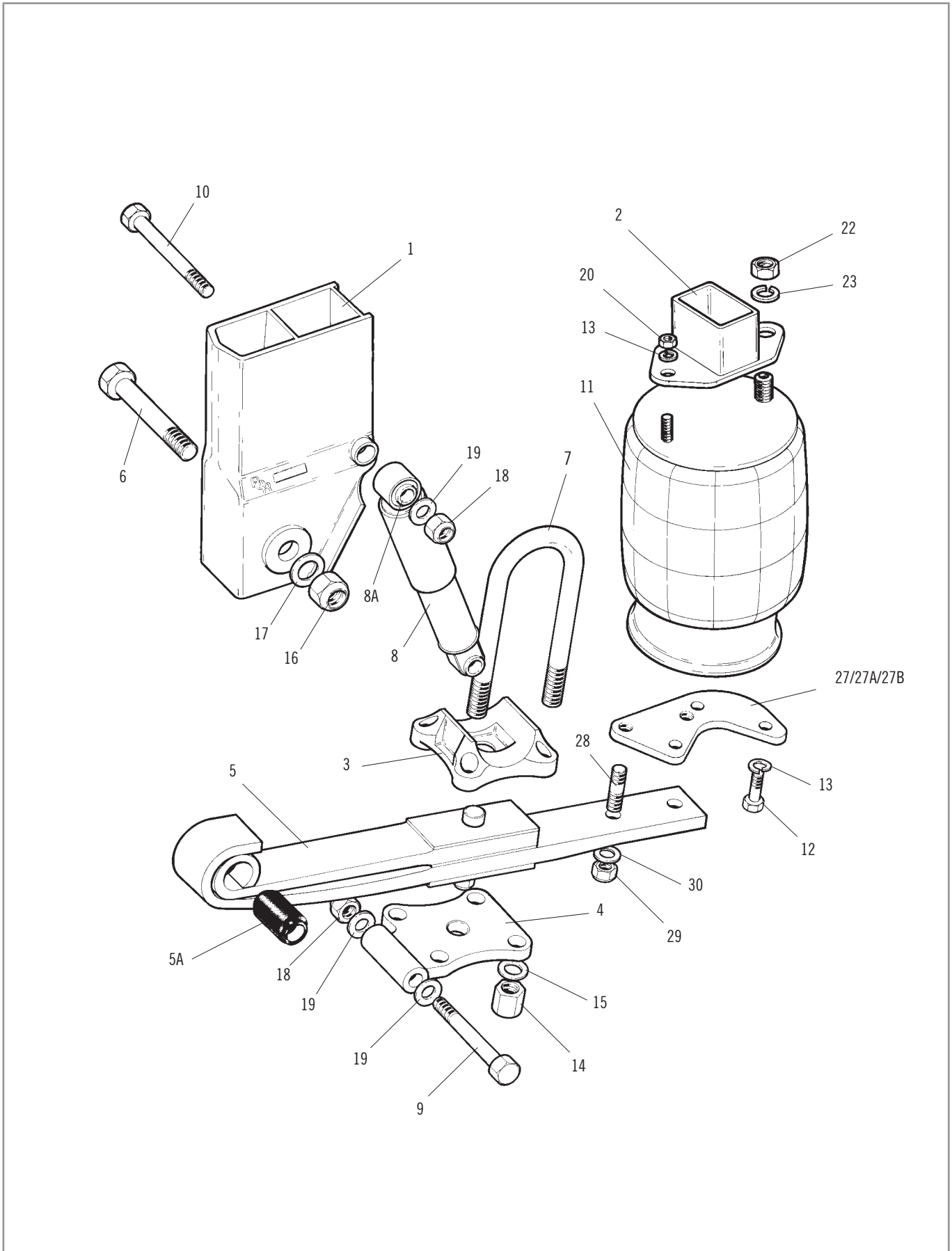
8
SMT

9
AXL KITS

FLEXAIR PARTS LIST

FL11000S

- 1
LM & LC
- 2
TA & TC
- 3
TE
- 4
TM
- 5
STEERING AXLES
- 6
FLEXAIR FLEXLITE
- 7
INDAI
- 8
SMT
- 9
AXL KITS



FLEXAIR PARTS LIST

FL11000S



Item	Description	Part Number
1	Frame mounting bracket, untracked, (ride height mm)	21222716-25 (250-475)
2A	Airspring pedestal assembly, (ride height mm)	21215917-8 (450-475)
3	Spring seat	21222262
4	U bolt plate	21224437
5	Trailing arm assembly, c/w bush, M30, UK	21225499
5	Trailing arm assembly, c/w bush, M30, Italia	21215600
6	Pivot bolt, M30 x 200	21222234
7	U bolt, M24 x 315	21222326
8	Damper	21224745
8A	Damper bush	DBK2
9	Damper bolt - bottom, M24 x 195	21222230
10	Damper bolt - top, M24 x 250	21222231
11	Airspring	21215891FS
12	Bolt, M12 x 35	99526000
13	Spring washer, M12	99510003
14	U bolt nut, M24	21222243
15	U bolt washer, M24	21222923
16	Pivot nut, M30	99527003
17	Pivot washer, M30	99513008
18	Damper nut, M24	99527004
19	Damper washer, M24	99513007
20	Nut, M12	99512007
22	Nut, M22	99528001
23	Washer, M22	99510004
27	Offset support plate, UK, (offset mm)	21225420 (0)
27A	Offset support plate, UK, L/H (offset mm)	21215796 (75)
27B	Offset support plate, UK, R/H (offset mm)	21215795 (75)
27	Offset support plate, Italia, (offset mm)	21215794 (0)
27A	Offset support plate, Italia, L/H (offset mm)	21212481D (75)
27B	Offset support plate, Italia, R/H (offset mm)	21212481S (75)
28	Stud, M16	21222255
29	Nut, M16	99527002
30	Washer, M16	99513009

1
LM & LC

2
TA & TC

3
TE

4
TM

5
STEERING AXLES

6
FLEXAIR FLEXLITE

7
INDAIR

8
SMT

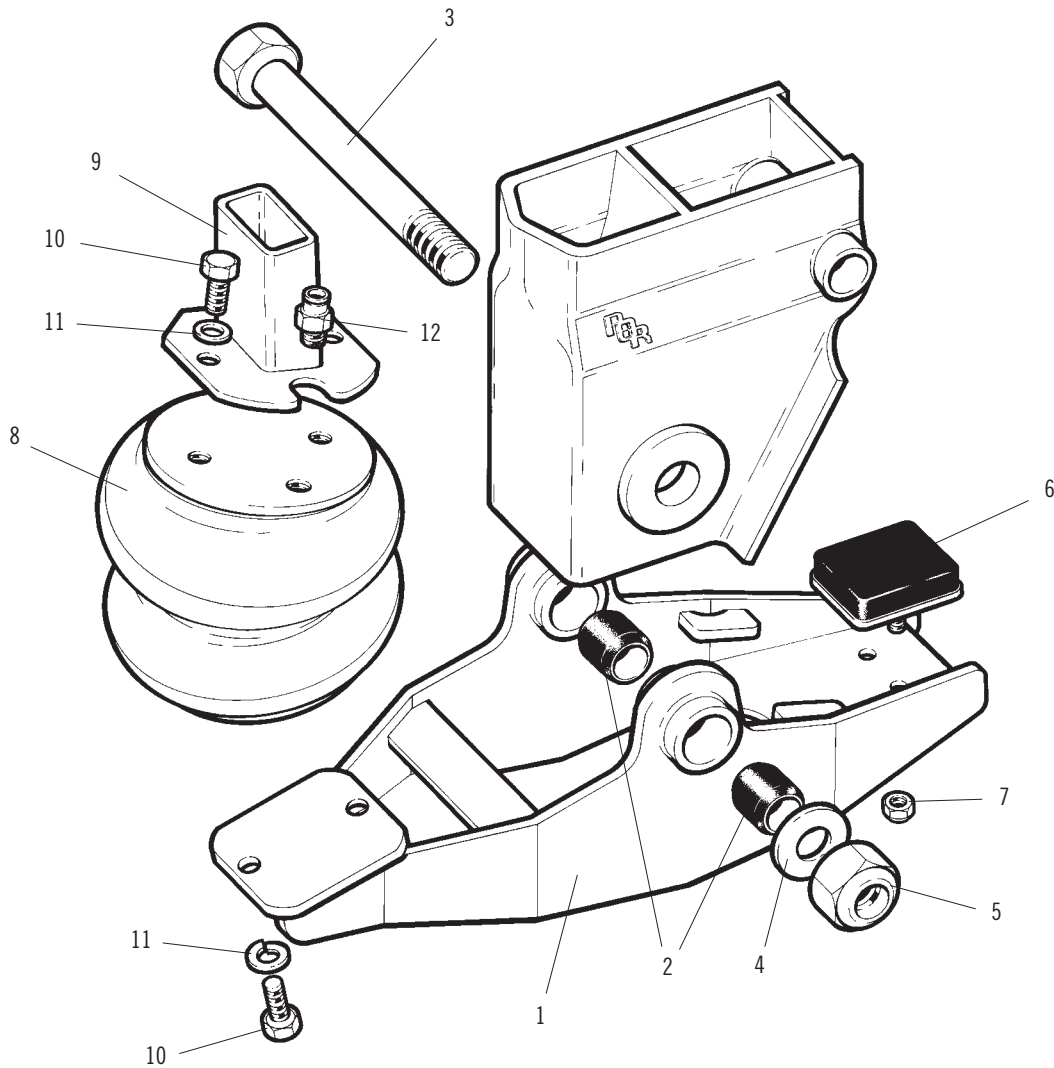
9
AXL KITS

FLEXAIR PARTS LIST

FLEXAIR AXLE LIFT

Suitable for use with FL9000M and FL11000 suspensions

M30 Kit No. 75223971, M24 Kit No. 75223971M24



1

LM & LC

2

TA & TC

3

TE

4

TM

5

STEERING
AXLES

6

FLEXAIR
FLEXLITE

7

INDAI

8

SMT

9

AXL KITS

FLEXAIR PARTS LIST

FLEXAIR AXLE LIFT

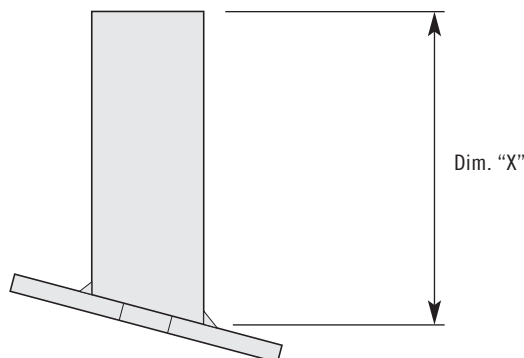
Suitable for use with FL9000M and FL11000 suspensions

M30 Kit No. 75223971, M24 Kit No. 75223971M24



Item	Description	Part Number
1	Lift arm, c/w bush, M30	21223968
1	Lift arm, c/w bush, M24	21227215
2	Pivot bush, M30	21223742
2	Pivot bush, M24	21227205
3	Pivot bolt, M30	21223744
3	Pivot bolt, M24	21222233
4	Pivot washer, M30	99513008
4	Pivot washer, M24	99513007
5	Pivot nut, M30	99527003
5	Pivot nut, M24	99527004
6	Rubber pad	21223749
7	Nut, M8	21208424
8	Airspring	21221356
9	Airspring pedestal assy	see table
10	Top/lower airspring screw, M10	99518001
11	Top/lower airspring washer, M10	99510006
12	Stud coupling	21224037

AIR PEDESTAL HEIGHTS						
FL9000M Ride Height	FL9000M L/H Ped Assy Part Number	FL9000M R/H Ped Assy Part Number	FL11000 Ride Height	FL11000 L/H Ped Assy Part Number	FL11000 R/H Ped Assy Part Number	Dim. "X"
—	—	—	200	21224017	21223999	43.0
—	—	—	225	21224018	21224000	68.0
—	—	—	250	21224019	21224001	93.0
228	21224020	21224002	275	21224020	21224002	118.0
253	21224021	21224003	300	21224021	21224003	143.0
278	21224022	21224004	325	21224022	21224004	168.0
303	21224023	21224005	350	21224023	21224005	193.0
—	—	—	375	21224024	21224006	218.0
—	—	—	400	21224025	21224007	243.0
—	—	—	425	21224026	21224008	268.0
—	—	—	450	21224027	21224009	293.0
—	—	—	475	21224028	21224010	318.0



1
LM & LC

2
TA & TC

3
TE

4
TM

5
STEERING
AXLES

6
FLEXAIR
FLEXLITE

7
INDAIR

8
SMT

9
AXL KITS

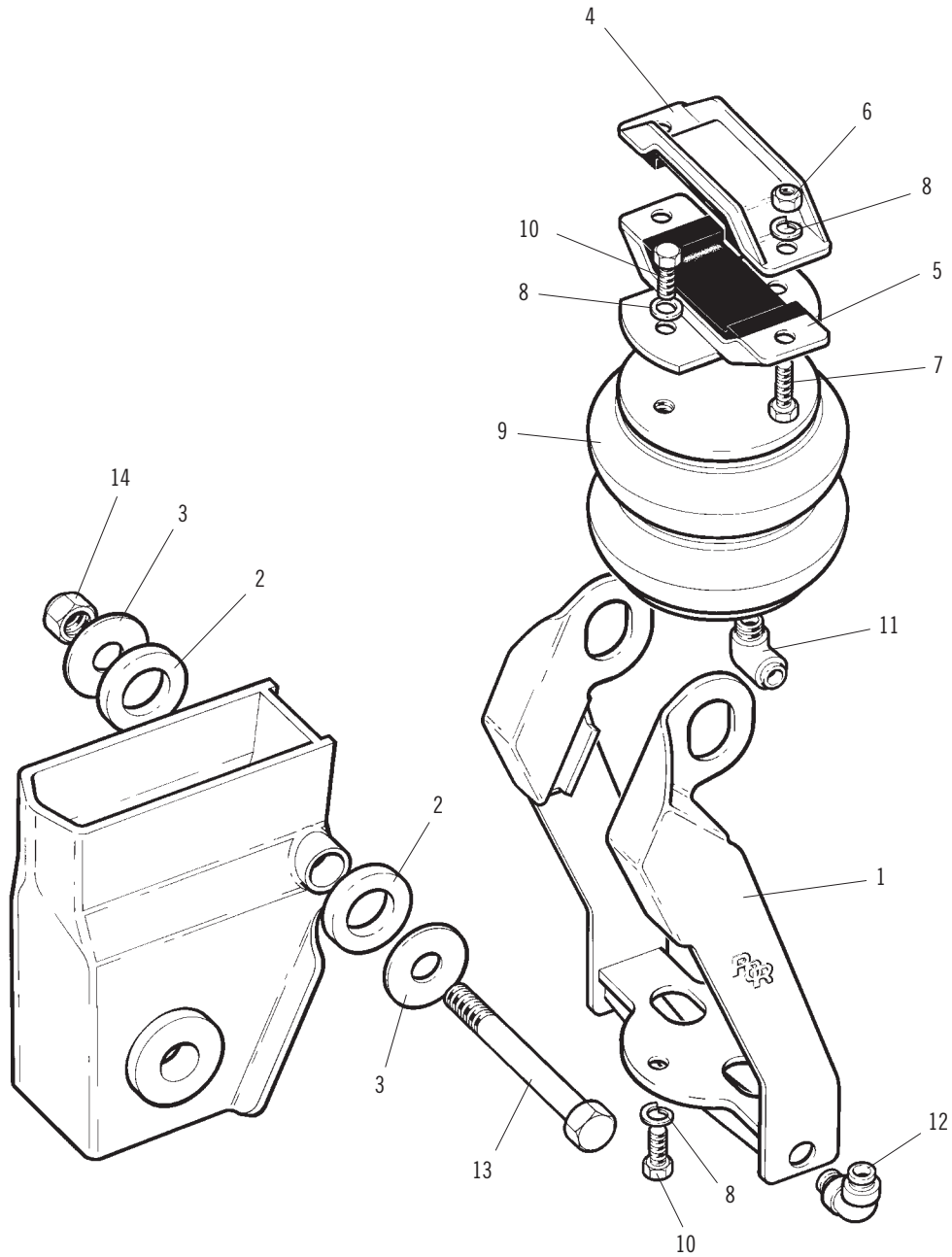
FLEXAIR PARTS LIST

DUAL SIDE CRADLE LIFT

Suitable for use with FL9000 and FL9000L suspensions

Kit No. 95223188

- 1 LM & LC
- 2 TA & TC
- 3 TE
- 4 TM
- 5 STEERING AXLES
- 6 FLEXAIR FLEXLITE
- 7 INDAI
- 8 SMT
- 9 AXL KITS



FLEXAIR PARTS LIST

DUAL SIDE CRADLE LIFT

Suitable for use with FL9000 and FL9000L suspensions

Kit No. 95223188



Item	Description	Part Number
1	Cradle assembly	21223183
2	Spacer tube	21223186
3	M24 Form D washer	99542001
4	Clamp (top half)	21223173
5	Clamp (bottom half)	21223172
6	Nut, M10	99527005
7	Screw, M10 x 40	99518004
8	Spring washer, M10	99510006
9	Airspring	21222663
10	Screw, M10 x 25	99518001
11	Stud elbow adaptor	21223053
12	Elbow adaptor	21223190
13	Bolt, M24 x 250	21222231
14	Nut, M24	99527006

1
LM & LC

2
TA & TC

3
TE

4
TM

5
STEERING
AXLES

6
FLEXAIR
FLEXLITE

7
INDAIR

8
SMT

9
AXL KITS

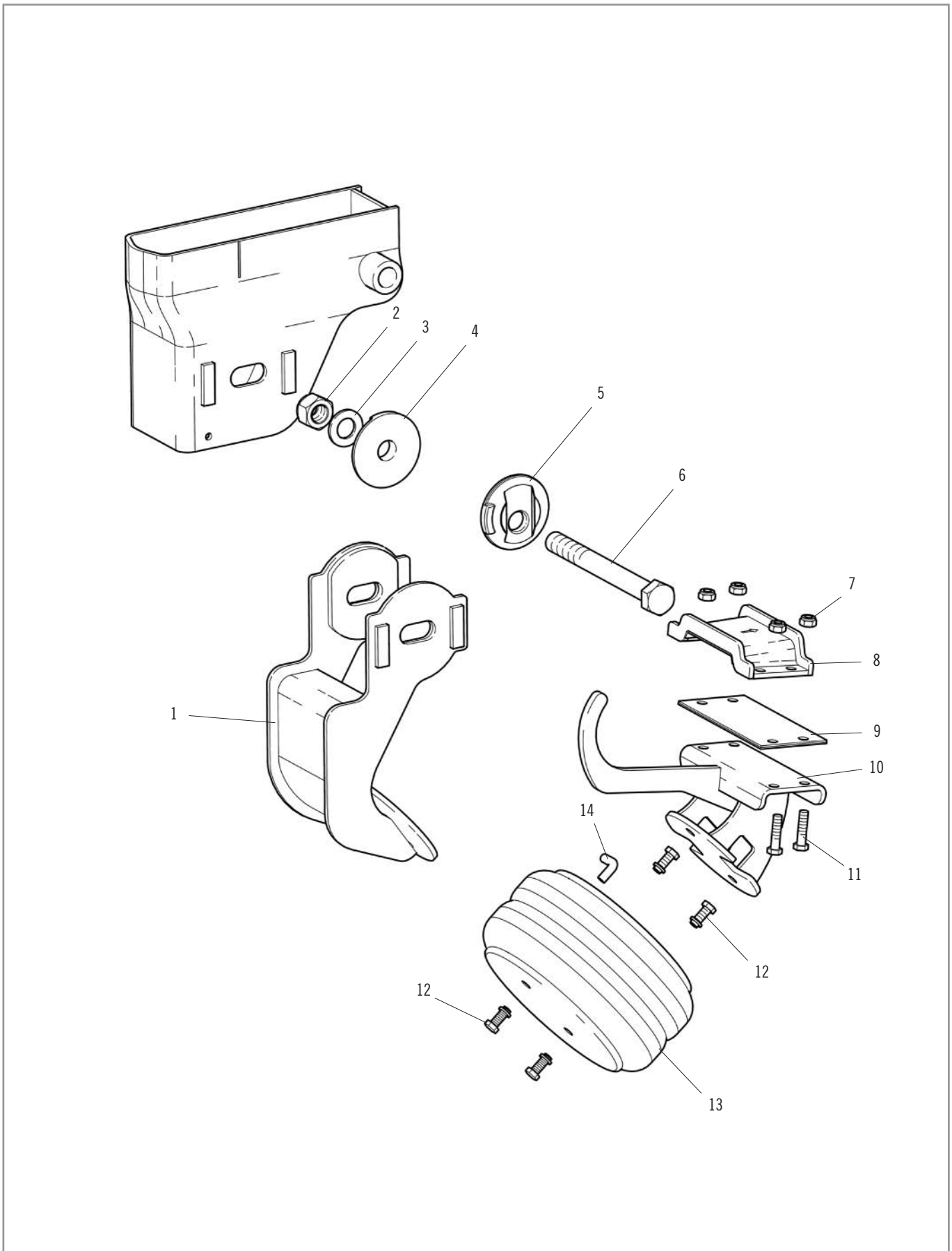
FLEXAIR PARTS LIST

FLEXAIR NB AXLE LIFT (TRACKED ONLY)

Suitable for use with Flexair NB tracked type suspensions

Kit No. 75227256

- 1
LM & LC
- 2
TA & TC
- 3
TE
- 4
TM
- 5
STEERING AXLES
- 6
FLEXAIR FLEXLITE
- 7
INDAI
- 8
SMT
- 9
AXL KITS



FLEXAIR PARTS LIST

FLEXAIR NB AXLE LIFT (TRACKED ONLY)

Suitable for use with Flexair NB tracked type suspensions

Kit No. 75227256



Item	Description	Part Number
1	Lift welded assembly, R/H	21227251 RH
1	Lift welded assembly, L/H	21227251 LH
2	Pivot nut, M24	99527004
3	Pivot washer, M24	99513007
4	Tracking bush, eccentric*, M24	21228663
5	Tracking bush, concentric*, M24	21228664
6	Pivot bolt, M24 x 225	212161895
7	Nut, M10	99527005
8	Top clamp	21227273
9	Clamp shim	21227274
10	Clamp welded assembly	21227257
11	Bolt, M10 x 40	99518004
12	Screw, M10 x 25	99518001
13	Airspring	21222663
14	Elbow adaptor	21223190

* Not supplied

- 1 LM & LC
- 2 TA & TC
- 3 TE
- 4 TM
- 5 STEERING AXLES
- 6 FLEXAIR FLEXLITE
- 7 INDAIR
- 8 SMT
- 9 AXL KITS



1

LM & LG

2

TA & TC

3

TE

4

TM

5

STEERING
AXLES

6

FLEXAIR
FLEXLITE

7

INDAI

8

SMT

9

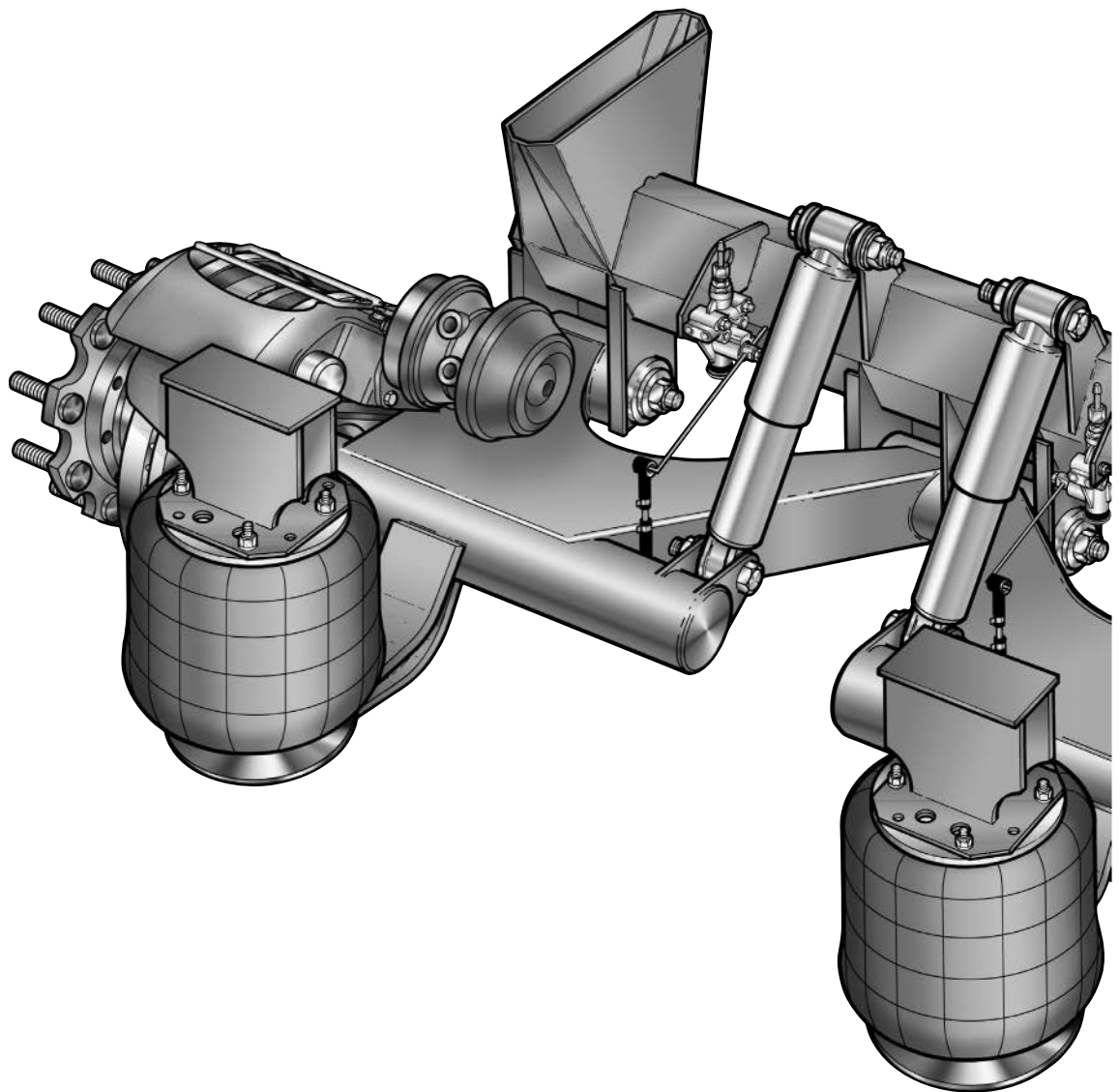
AXL KITS





MERITOR TRAILER PRODUCTS AIR SUSPENSION PARTS LIST

INDAIR



1
LM & LC

2
TA & TC

3
TE

4
TM

5
STEERING
AXLES

6
FLEXAIR
FLEXLITE

7
INDAIR

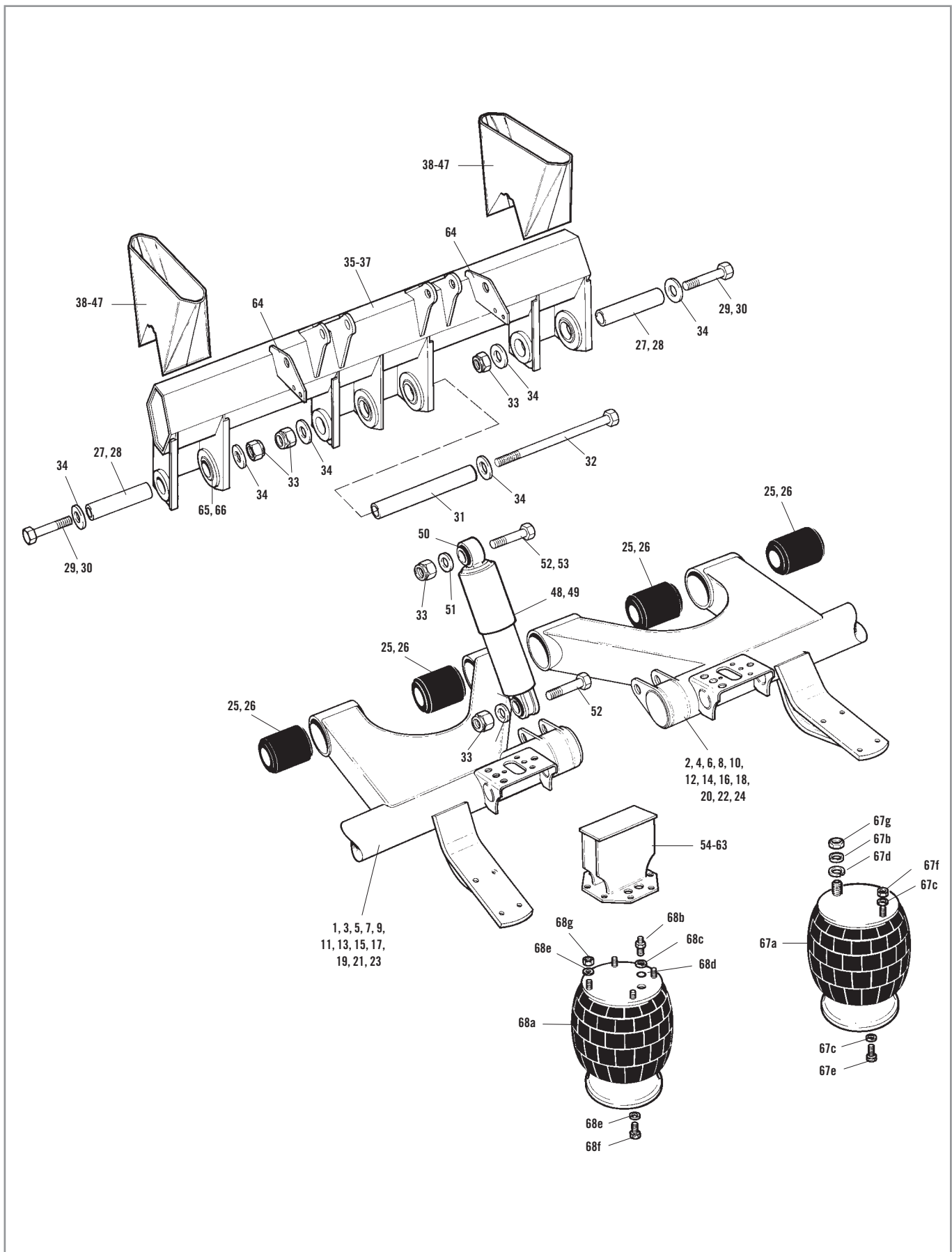
8
SMT

9
AXL KITS

INDAIR PARTS LIST

STANDARD SUSPENSION

- 1
LM & LC
- 2
TA & TC
- 3
TE
- 4
TM
- 5
STEERING AXLES
- 6
FLEXAIR FLEXLITE
- 7
INDAIR
- 8
SMT
- 9
AXL KITS



INDAIR PARTS LIST

STANDARD SUSPENSION



Item	Description	Part Number
1	Link arm assy. LH 420 brake, 2045 track, single wheel, plus bushes	21208382S
2	Link arm assy. RH 420 brake, 2045 track, single wheel, plus bushes	21208381S
3	Link arm assy. LH 420 brake, 1860 track, twin wheel, plus bushes	21208613S
4	Link arm assy. RH 420 brake, 1860 track, twin wheel, plus bushes	21208614S
5	Link arm assy. LH 350 brake, 1820 track, twin wheel, plus bushes	21208567S
6	Link arm assy. RH 350 brake, 1820 track, twin wheel, plus bushes	21208568S
7	Link arm assy. LH 310 brake, 1820 track, twin wheel, plus bushes	21208685S
8	Link arm assy. RH 310 brake, 1820 track, twin wheel, plus bushes	21208686S
9	Link arm assy. LH 420 brake, 1970 track, single wheel, plus bushes	21219773S
10	Link arm assy. RH 420 brake, 1970 track, single wheel, plus bushes	21219772S
11	Link arm assy. LH 420 brake, 1920 track, twin wheel, plus bushes	21221113S
12	Link arm assy. RH 420 brake, 1920 track, twin wheel, plus bushes	21221112S
13	Link arm assy. RH 310 brake, 1920 track, twin wheel, plus bushes	21221176S
14	Link arm assy. LH 310 brake, 1920 track, twin wheel, plus bushes	21221177S
15	Link arm assy. LH 420 brake (special actuation), 2045 track, single wheel, plus bushes	21216190S
16	Link arm assy. RH 420 brake (special actuation), 2045 track, single wheel, plus bushes	21216191S
17	Link arm assy. LH 420 brake (special long cams), 2045 track, single wheel, plus bushes	21216101S
18	Link arm assy. RH 420 brake (special long cams), 2045 track, single wheel, plus bushes	21216102S
19	Link arm assy. LH 420 brake, 1820 track (special N/track), twin wheel, plus bushes	21216107S
20	Link arm assy. RH 420 brake, 1820 track (special N/track), twin wheel, plus bushes	21216106S
21	Link arm assy. LH 420 brake (special "TN" end), 1860 track, plus bushes	21216018S
22	Link arm assy. RH 420 brake (special "TN" end), 1860 track, plus bushes	21216017S
23	Link arm assy. LH 420 brake (special "TN" end), 2045 track, plus bushes	21219769S
24	Link arm assy. RH 420 brake (special "TN" end), 2045 track, plus bushes	21219768S
25	Main pivot bush (standard)	21208093
26	Main pivot bush (special soft compound) – for low weight applications only	21216100
27	Outer sleeve (166mm long)	21208783
28	Outer sleeve (early single wheel – 184mm long)	21208019
29	Outer bolt (M24 x 3 x 240mm long)	21208078
30	Outer bolt (M24 x 3 x 225mm long)	21216189
31	Centre sleeve	21208242
32	Centre bolt (M24 x 3 x 400mm long)	21208079
33	Nut, prevailing torque (M24 x 3)	99527004
34	Washer (special thick)	21208324
35	Cross member assy. (single wheel, 1200 cts, no frame brackets)	21208296
36	Cross member assy. (single wheel, 1300 cts, no frame brackets)	21216096
37	Cross member assy. (twin wheel, 1000 cts, no frame brackets)	21208721
38	Frame bracket, 250mm ride height (bracket height 35mm)	21208706
39	Frame bracket, 275mm ride height (bracket height 60mm)	21208707
40	Frame bracket, 300mm ride height (bracket height 85mm)	21208708
41	Frame bracket, 325mm ride height (bracket height 110mm)	21208709
42	Frame bracket, 350mm ride height (bracket height 135mm)	21208710
43	Frame bracket, 375mm ride height (bracket height 160mm)	21208711
44	Frame bracket, 400mm ride height (bracket height 185mm)	21208712
45	Frame bracket, 425mm ride height (bracket height 210mm)	21208713
46	Frame bracket, 450mm ride height (bracket height 235mm)	21208714
47	Frame bracket, 475mm ride height (bracket height 260mm)	21216066
48	Damper	21224034
49	Damper (red – super duty)	21224034
50	Bush, damper eye	21216032
51	Washer (M24)	21208376
52	Bolt, damper (M24 x 3 x 110mm long)	21208315
53	Bolt, damper (M24 x 3 x 140mm long – old style top bracket)	21208314
54	Pedestal, (airspring top) 250mm ride height (flat plate)	21208858
55	Pedestal, (airspring top) 275mm ride height (25mm high)	21208335
56	Pedestal, (airspring top) 300mm ride height (50mm high)	21208336
57	Pedestal, (airspring top) 325mm ride height (75mm high)	21208337
58	Pedestal, (airspring top) 350mm ride height (100mm high)	21208338

1
LM & LC

2
TA & TC

3
TE

4
TM

5
STEERING
AXLES

6
FLEXAIR
FLEXLITE

7
INDAIR

8
SMT

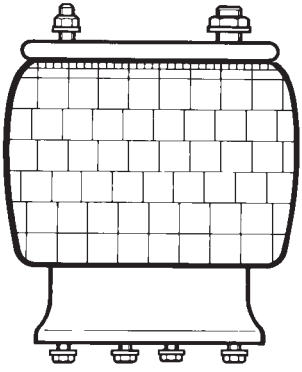
9
AXL KITS

INDAIR PARTS LIST

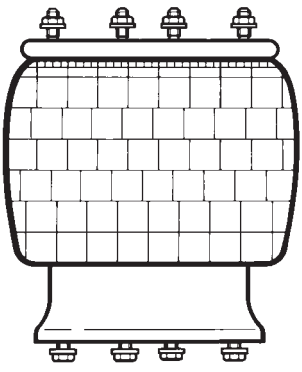
STANDARD SUSPENSION

Item	Description	Part Number
59	Pedestal, (airspring top) 375mm ride height (125mm high)	21208339
60	Pedestal, (airspring top) 400mm ride height (150mm high)	21208340
61	Pedestal, (airspring top) 425mm ride height (175mm high)	21208341
62	Pedestal, (airspring top) 450mm ride height (200mm high)	21208342
63	Pedestal, (airspring top) 475mm ride height (225mm high)	21216067
64	Bracket, levelling valve	21208693
65	Thrust washer (5mm thick)	21208681
66	Thrust washer (3mm thick)	21208306

Two Stud Air Spring

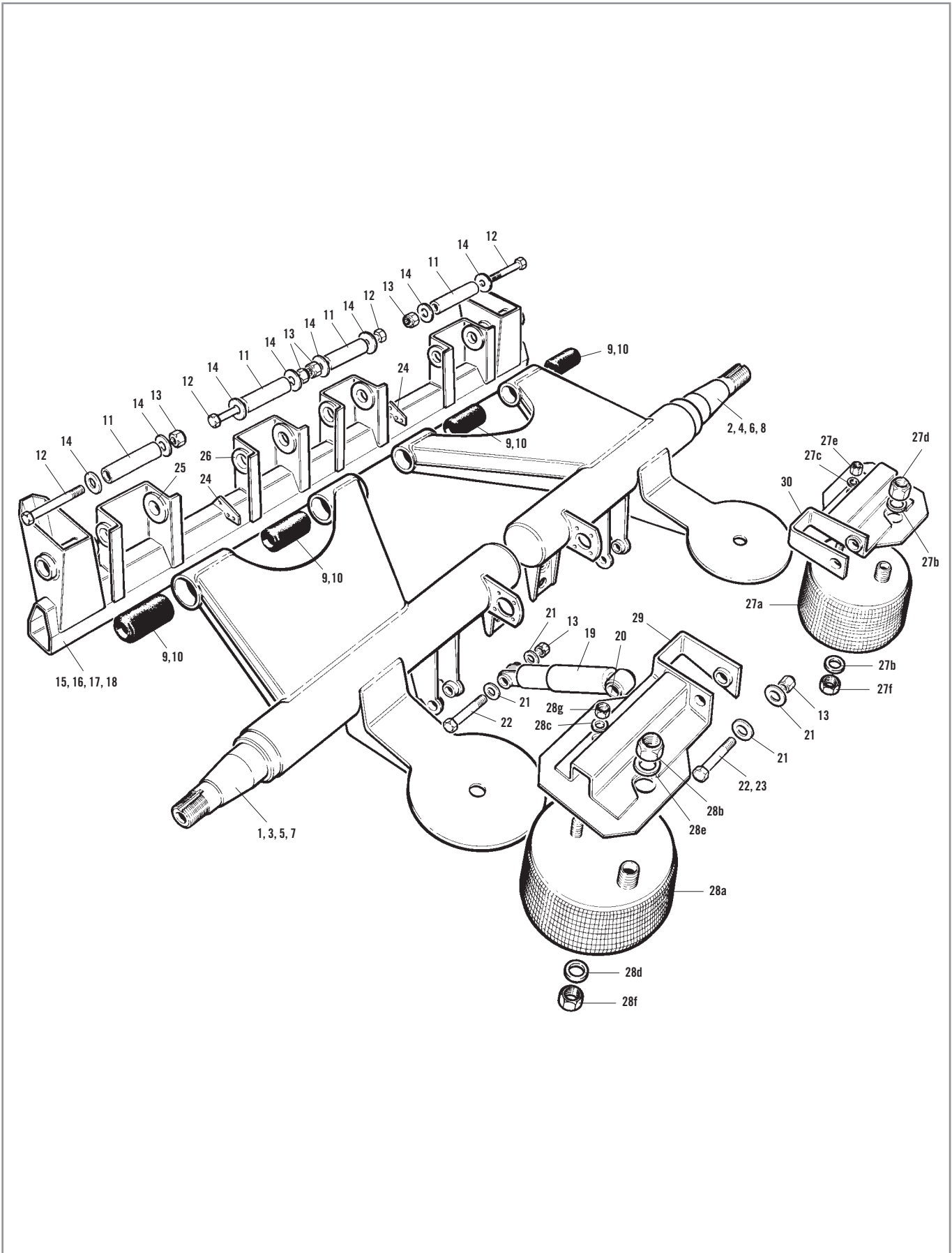
	Item	Description	Part Number
	67	2 Stud air spring assy.	17204516
	Comprises:		
	a	Air spring 2 stud F7 (E1)	21208327
	b	Washer (M22 "G" form)	21208790
	c	Spring washer (M12)	99510003
	d	Spring washer (M22)	99510004
	e	Screw (M12 x 1.75 x 35mm long)	99526000
	f	Nut, prevailing torque (M12 x 1.75)	99527000
g	Nut, thin type (M22 x 1.5)	99528001	

Four Stud Air Spring

	Item	Description	Part Number
	68	4 Stud air spring assy.	17204517
	Comprises:		
	a	Air spring 4 stud F7 (E1)	21208082FS
	b	Union (M22 x 1.5)	21208426
	c	P/ring (22 dia.)	21208428
	d	O/ring (22 dia.)	21208429
	e	Spring washer (M12)	99510003
	f	Screw (M12 x 1.75 x 35mm long)	99526000
g	Nut, prevailing torque (M12 x 1.75)	99527000	

INDAIR PARTS LIST

LOW HEIGHT SUSPENSION



1
LM & LC

2
TA & TC

3
TE

4
TM

5
STEERING AXLES

6
FLEXAIR FLEXLITE

7
INDAIR

8
SMT

9
AXL KITS

INDAIR PARTS LIST

LOW HEIGHT SUSPENSION

Item	Description	Part Number
1	Link arm assy. LH 350 brake, 2180 track, single wheel (offset hub), plus bushes	21216163S
2	Link arm assy. RH 350 brake, 2180 track, single wheel (offset hub), plus bushes	21216162S
3	Link arm assy. LH 310 brake, 1985 track, twin wheel (prototype), plus bushes	21208871S
4	Link arm assy. RH 310 brake, 1985 track, twin wheel (prototype), plus bushes	21208870S
5	Link arm assy. LH 310 brake, 1985 track, twin wheel, plus bushes	21216117S
6	Link arm assy. RH 310 brake, 1985 track, twin wheel, plus bushes	21216116S
7	Link arm assy. LH 350 brake, 1920 track, twin wheel, plus bushes	21216114S
8	Link arm assy. RH 350 brake, 1920 track, twin wheel, plus bushes	21216113S
9	Main pivot bush (standard)	21208093
10	Main pivot bush (special soft compound) – for low weight applications only	21216100
11	Sleeve, pivot (166mm long)	21208783
12	Bolt, pivot (M24 x 3 x 225mm long)	21216189
13	Nut, prevailing torque (M24 x 3)	99527004
14	Washer (special thick)	21208324
15	Cross member assy. (1985 track) twin outboard f/brackets	21208937
16	Cross member assy. (1920 track) twin outboard f/brackets	21208938
17	Cross member assy. (1985 track) twin inboard f/brackets	21216131
18	Cross member assy. (1920 track) twin inboard f/brackets	21216132
19	Damper (yellow – hard)	21208363
20	Bush, damper eye	21216032
21	Washer (M24)	21208376
22	Bolt, damper (M24 x 3 x 110mm long)	21208315
23	Bolt, damper (M24 x 3 x 140mm long – old style top bracket)	21208314
24	Bracket, levelling valve	21208897
25	Thrust washer (5mm thick)	21208681
26	Thrust washer (3mm thick)	21208306
29	Air spring & damper bracket assy. LH	21208899
30	Air spring & damper bracket assy. RH	21208898

1

LM & LG

2

TA & TC

3

TE

4

TM

5

STEERING
AXLES

6

FLEXAIR
FLEXLITE

7

INDAI

8

SMT

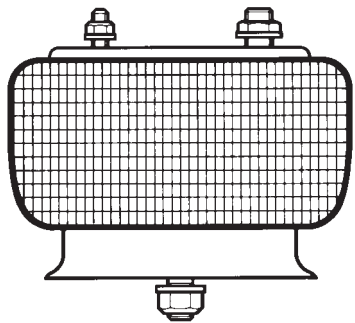
9

AXL KITS

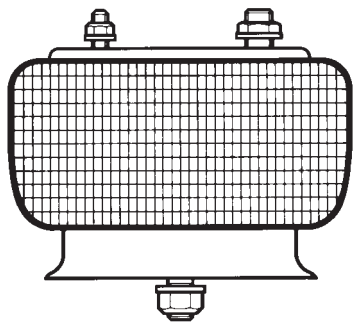




Two Stud Air Spring – Imperial

	Item	Description	Part Number	
	27	2 Stud air spring assy. list (imperial)	17217753	
	Comprises:			
	a	Air spring, 2 stud imperial	21208939	
	b	Washer (flat 3/4")	21216022	
	c	Washer (flat 1/2")	99513001	
	d	Nut, prevailing torque (3/4 x 10 UNC)	21216019	
	e	Nut, prevailing torque (1/2 x 13 UNC)	99527000	
f	Nut, thin type (3/4)	21216021		

Two Stud Air Spring – Metric

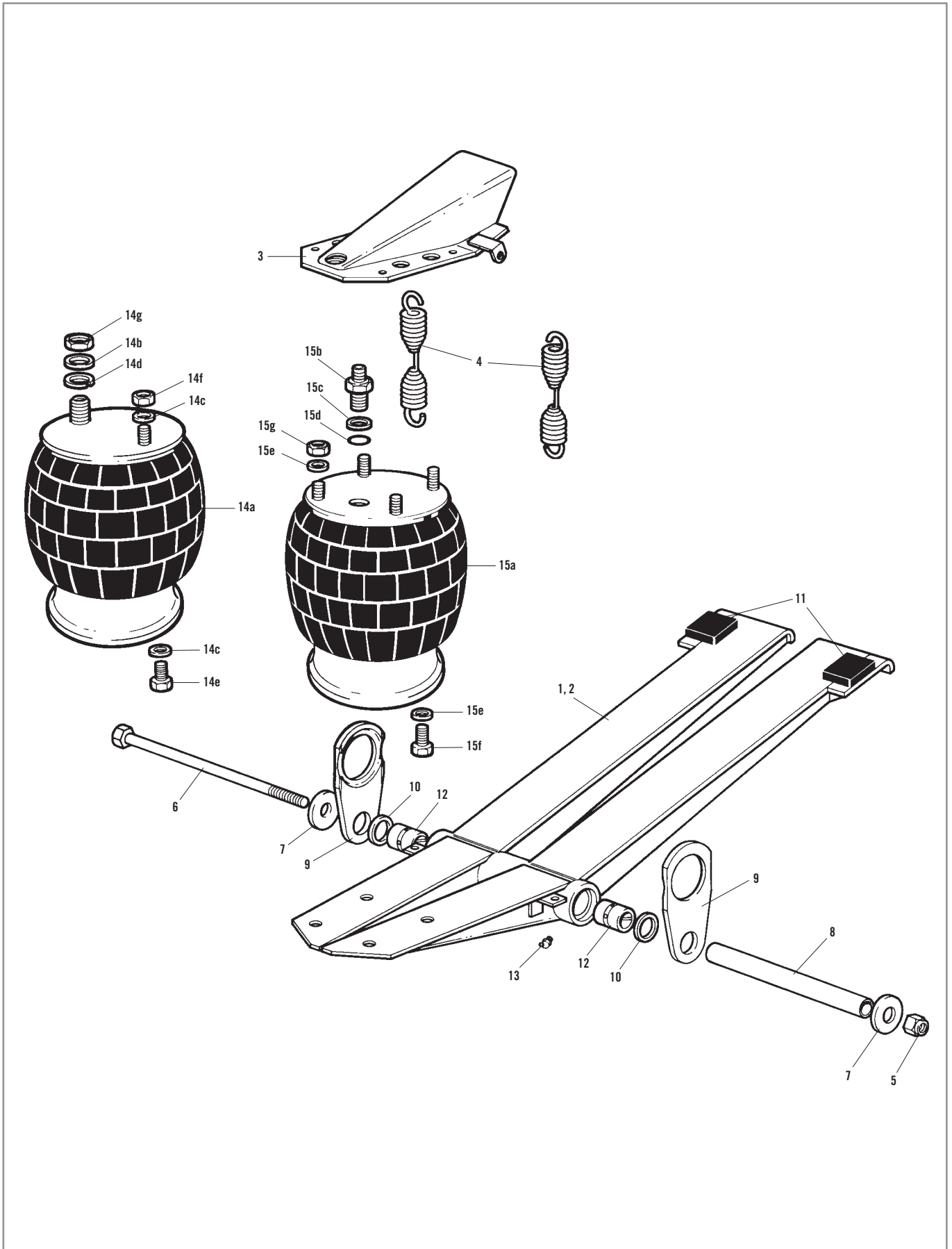
	Item	Description	Part Number	
	28	2 Stud air spring assy. list (metric)	17219955	
	Comprises:			
	a	Air spring, 2 stud metric	21216135	
	b	Thin nut, (M22 x 1.5)	99528001	
	c	Washer, flat (M12)	99513001	
	d	Washer, flat (M20)	21216193	
	e	Washer, flat (M22 "G" form)	21208790	
	f	Nut, prevailing torque (M20 x 2.5)	21216192	
g	Nut, prevailing torque (M12 x 1.75)	99527000		

- 1 LM & LC
- 2 TA & TC
- 3 TE
- 4 TM
- 5 STEERING AXLES
- 6 FLEXAIR FLEXLITE
- 7 INDAIR
- 8 SMT
- 9 AXL KITS

INDAIR PARTS LIST

AXLE LIFT

- 1 LM & LC
- 2 TA & TC
- 3 TE
- 4 TM
- 5 STEERING AXLES
- 6 FLEXAIR FLEXLITE
- 7 INDAI
- 8 SMT
- 9 AXL KITS



INDAIR PARTS LIST

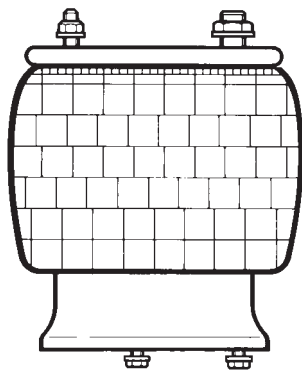
AXLE LIFT



Item	Description	Part Number
1	Lift arm, single wheel	21208807
2	Lift arm, twin wheel	21208801
3	Mounting bracket, upper air spring	21208461
4	Return spring (pre August 1990)	21023389
4a	Return spring (post August 1990)	21220048
5	Nut, prevailing torque (M24 x 3)	99527004
6	Bolt (M24 x 3 x 400mm long)	21208079
7	Washer (special thick)	21208324
8	Shaft, pivot (334mm long)	21208466
9	Pivot plates	21208467
10	Seal, felt	21208468
11	Wear pad, nylon	21208469
12	Bush, pivot arm	21209990
13	Grease nipple	99040013

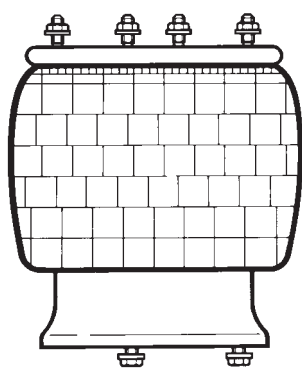
Two Stud Air Spring

Item	Description	Part Number
14	2 Stud air spring assy. list	17204516
Comprises:		
a	Air spring 2 stud F7 (E1)	21208327
b	Washer (M22 "G" form)	21208790
c	Spring washer (M12)	99510003
d	Spring washer (M22)	99510004
e	Screw (M12 x 1.75 x 35mm long)	99526000
f	Nut, prevailing torque (M12 x 1.75)	99527000
g	Nut, thin type (M22 x 1.5)	99528001



Two Stud Air Spring

Item	Description	Part Number
15	4 Stud air spring assy. list	17204517
Comprises:		
a	Air spring 4 stud F7 (E1)	21208082FS
b	Union (M22 x 1.5)	21208426
c	P/ring (22 dia.)	21208428
d	O/ring (22 dia.)	21208429
e	Spring washer (M12)	99510003
f	Screw (M12 x 1.75 x 35mm long)	99526000
g	Nut, prevailing torque (M12 x 1.75)	99527000



- 1 LM & LC
- 2 TA & TC
- 3 TE
- 4 TM
- 5 STEERING AXLES
- 6 FLEXAIR FLEXLITE
- 7 INDAIR
- 8 SMT
- 9 AXL KITS



1

LM & LG

2

TA & TC

3

TE

4

TM

5

STEERING
AXLES

6

FLEXAIR
FLEXLITE

7

INDAI

8

SMT

9

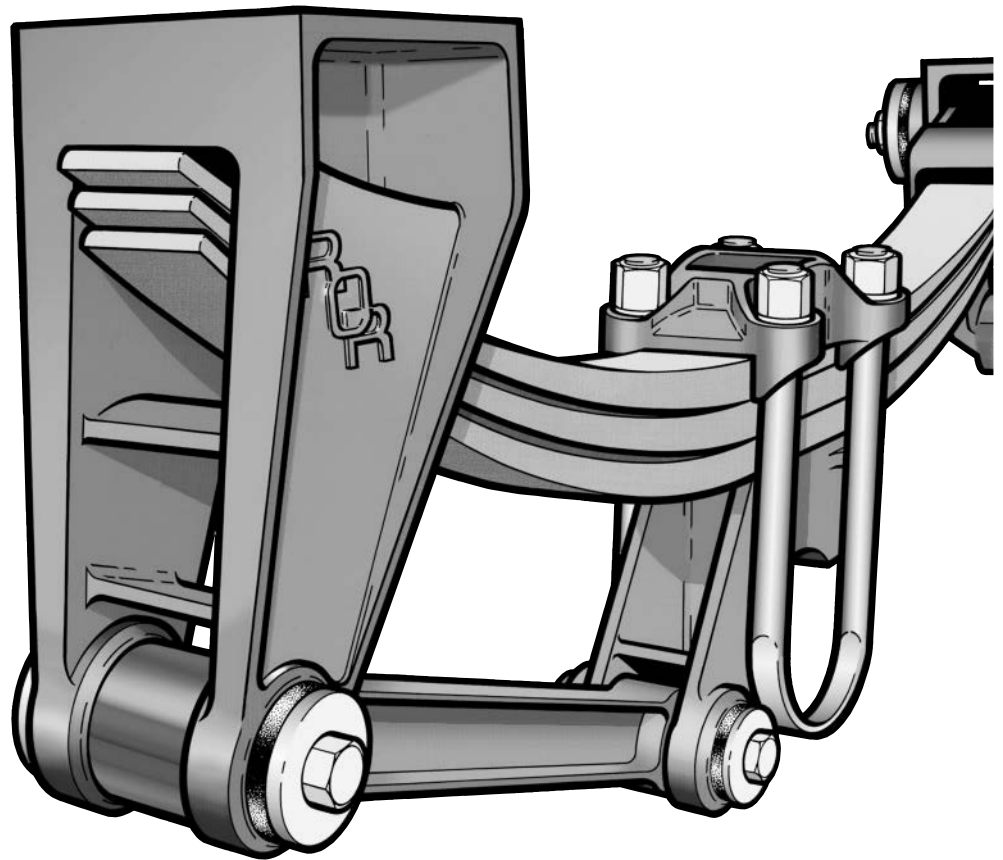
AXL KITS





MERITOR TRAILER PRODUCTS MECHANICAL SUSPENSION PARTS LIST

M SERIES
SM SERIES
SMT SERIES



1
LM & LC

2
TA & TC

3
TE

4
TM

5
STEERING
AXLES

6
FLEXAIR
FLEXLITE

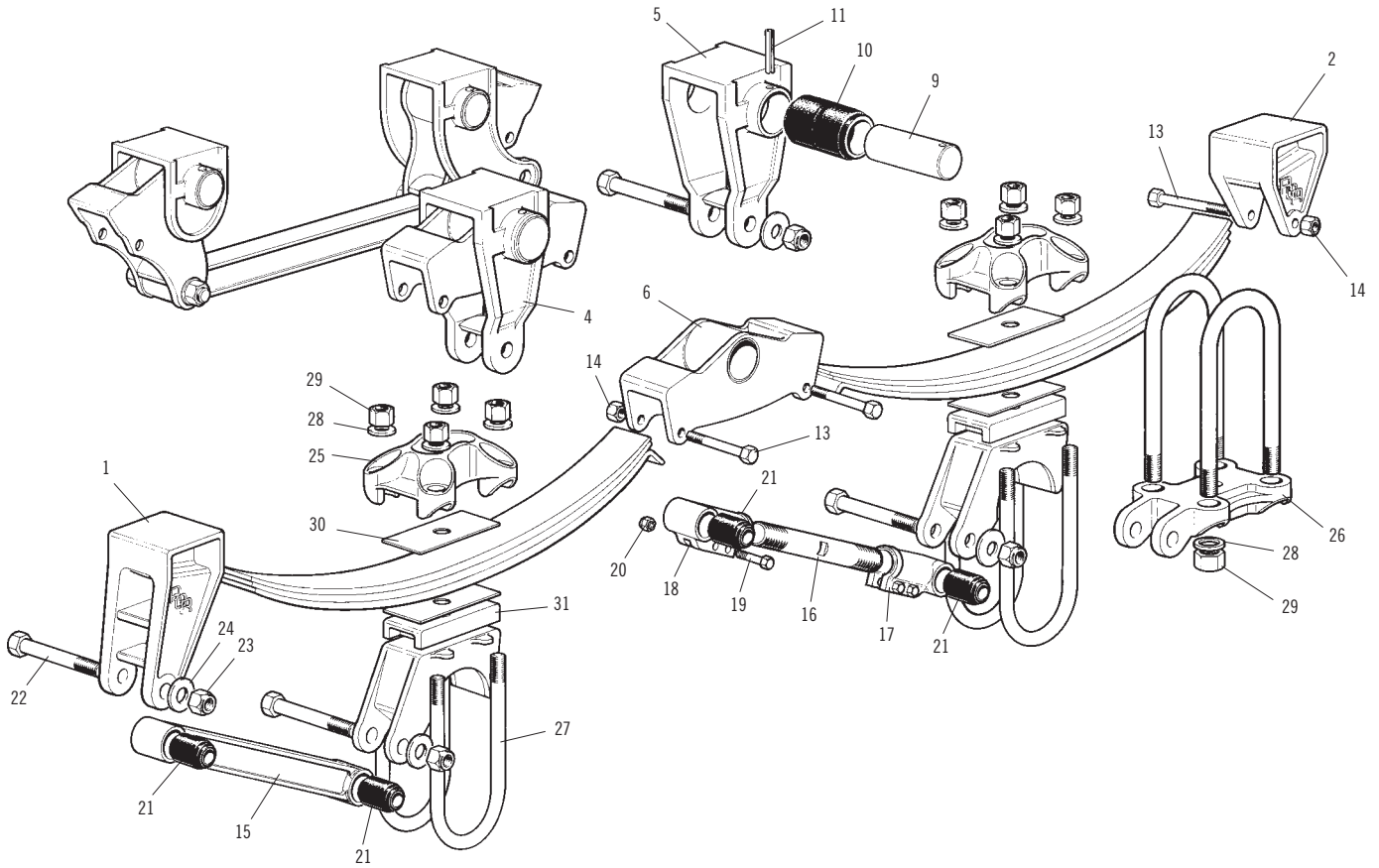
7
INDAIR

8
SMT

9
AXL KITS

MECHANICAL SUSPENSION PARTS LIST

'M' SERIES SUSPENSIONS



Hanger Brackets

1	Front	21016374
2	Rear	21206082

Equalisers

	Close Coupled	Semi-widespread	Widespread
4	Complete assembly	19016501	21016379
5	Equaliser bracket	21016379	19017211A
6	Equaliser c/w bush	19016378A	—
	Equaliser c/w bush — offset 105 RH	—	21212108A/105 RH
	Equaliser c/w bush — offset 105 LH	—	21212109A/105 LH
	Equaliser c/w bush — offset 160 RH	—	21202674A/160 RH
	Equaliser c/w bush — offset 160 LH	—	21202675A/160 LH
9	Shaft	21016381S	21016381S
10	Bush	21011746	21011746
11	Drive pin	21016382	21016382
13	Bolt	21206055	21206055
14	Nut	21206037	21206037

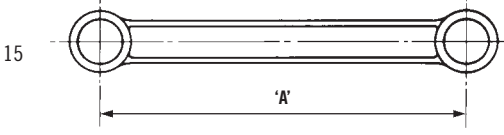
1 LM & LC
2 TA & TC
3 TE
4 TM
5 STEERING AXLES
6 FLEXAIR FLEXLITE
7 INDAL
8 SMT
9 AXL KITS

MECHANICAL SUSPENSION PARTS LIST

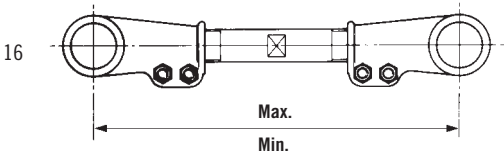
'M' SERIES SUSPENSIONS



Torque Arms Rigid

 15 <i>N.B. Some of these components could now be obsolete check with Meritor Aftermarket for availability</i>	Assembly Part No.	'A' Centres	Casting No.
		19016342	508
	19015936	425	21015728
	19016345	464	21016343
	19016346	549	21016344
	19017126	699	21017096
	19016645	400	21016643
	19016646	489	21016644
	19020813	565	21020812
	19021083	813	21021084
	19024873	337	21024872
	19025442	629	21025441
	19200655	352	21200654
	19024387	381	21024388
	19200121	537	21200119
	19200122	438	21200120

Torque Arms Adjustable

 16 Max. Min.	Assembly Part No.	Screw Part No.	Max/Min Centres mm
		19016341	21016126
	19016342	21016433	562/502
	19017118	21016124	438/381
	19017757	21017758	378/327
	21019394	21019394	406/349
	19023170	21018359	648/584
	19201539	21201540	838/775

Torque Arm End Assembly

17	Complete torque arm end assembly – RH	19015798
	Complete torque arm end assembly – LH	19015799
18	Torque arm end – RH	19015798
	Torque arm end – LH	21013637
19	Bolt	702220814
20	Nut	21016384
21	Bush	21011745

Fastenings, Torque Arm

22	Torque arm bolt	21015626
23	Torque arm locknut	21016115
24	Torque arm washer	21206225S

'U' Bolts and Associated Items

25	Top plate (standard applications)	21206056
26	Torque arm mounting bracket (underslung application)	21200109
27	'U' bolt	21206225
28	Washer, 'U' bolt	21206225S
29	Nut, 'U' bolt	21006511
30	Delrin liner	21016639
30A	Location button, underslung (not illustrated)	21200339

Spacer Block

 31	Dim. B	Part No.
		70
	25	21019698
	38	21018636
	45	21019763

1
LM & LC

2
TA & TC

3
TE

4
TM

5
STEERING
AXLES

6
FLEXAIR
FLEXLITE

7
INDAIR

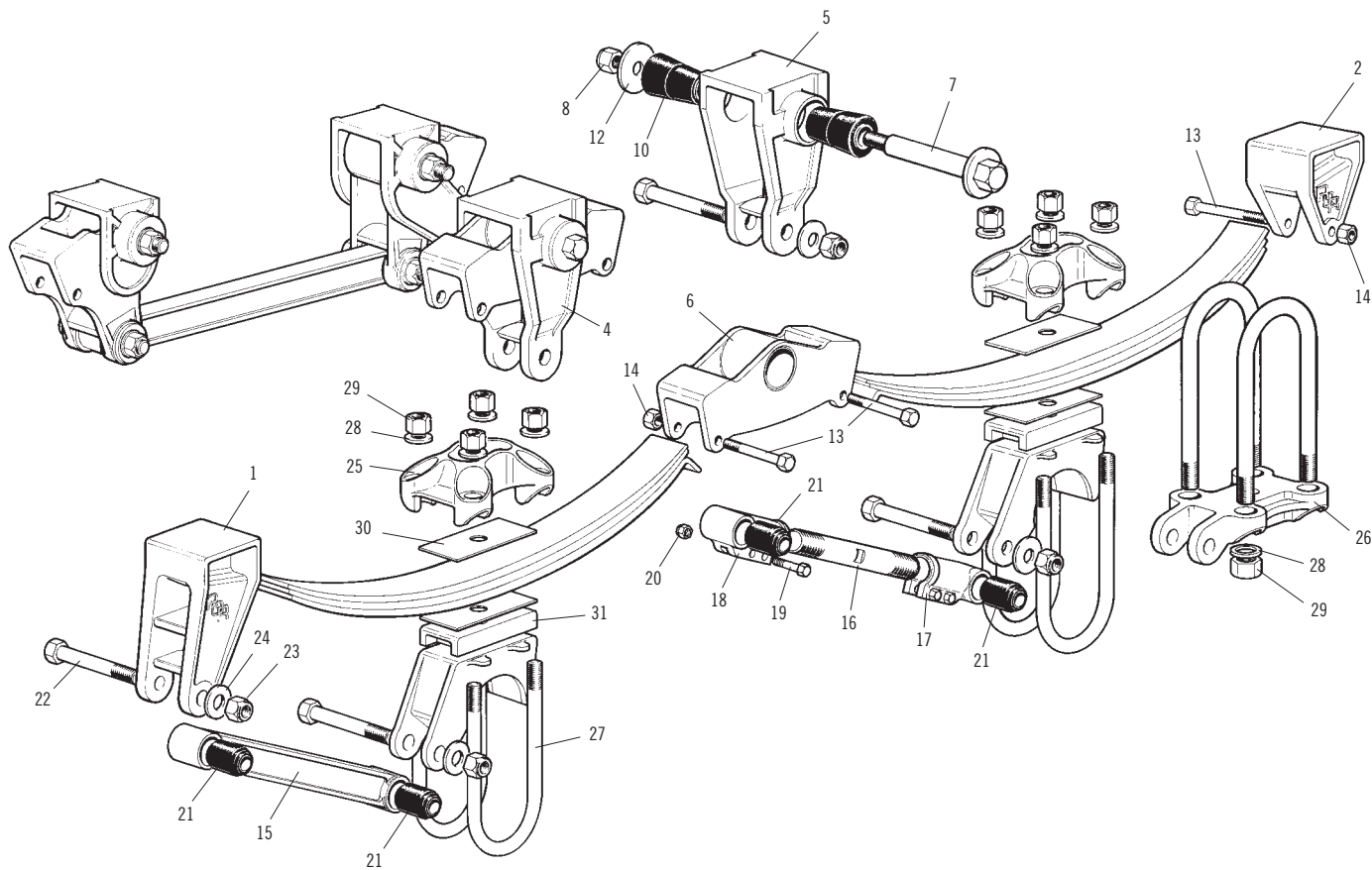
8
SMT

9
AXL KITS



MECHANICAL SUSPENSION PARTS LIST

'SM' SERIES SUSPENSIONS



Hanger Brackets

1	Front	21016374
2	Rear	21206082

Equalisers

	Close Coupled	Semi-widespread	Widespread	
4	Complete assembly	19203139	19204063	—
	Complete assembly – front	—	—	19204034
	Complete assembly – rear	—	—	19204033
5	Equaliser bracket	21203140	21203140	—
	Equaliser bracket – front	—	—	21204037
	Equaliser bracket – rear	—	—	21204035
6	Equaliser	21203141A	21204062	21204036
7	Bolt equaliser	21206000	21206000	21206000
8	Equaliser bolt locknut	99527004	99527004	99527004
10	Bush	21020676	21020676	21020676
12	Clamp washer	21020678	21020678	21020678
13	Bolt	21206055	21206055	21206055
14	Nut	21206037	21206037	21206037

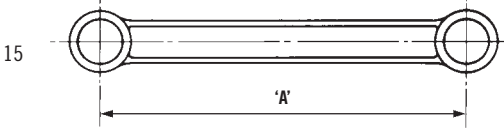
1 LM & LG
2 TA & TC
3 TE
4 TM
5 STEERING AXLES
6 FLEXAIR FLEXLITE
7 INDAL
8 SMT
9 AXL KITS

MECHANICAL SUSPENSION PARTS LIST

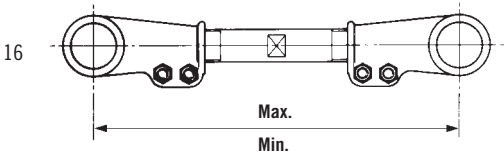
'SM' SERIES SUSPENSIONS



Torque Arms Rigid

 15 <i>N.B. Some of these components could now be obsolete check with Meritor Aftermarket for availability</i>	Assembly Part No.	'A' Centres	Casting No.
		19016342	508
	19015936	425	21015728
	19016345	464	21016343
	19016346	549	21016344
	19017126	699	21017096
	19016645	400	21016643
	19016646	489	21016644
	19020813	565	21020812
	19021083	813	21021084
	19024873	337	21024872
	19025442	629	21025441
	19200655	352	21200654
	19024387	381	21024388
	19200121	537	21200119
	19200122	438	21200120

Torque Arms Adjustable

 16 Max. Min.	Assembly Part No.	Screw Part No.	Max/Min Centres mm
		19016341	21016126
	19016342	21016433	562/502
	19017118	21016124	438/381
	19017757	21017758	378/327
	21019394	21019394	406/349
	19023170	21018359	648/584
	19201539	21201540	838/775

Torque Arm End Assembly

17	Complete torque arm end assembly – RH	19015798
	Complete torque arm end assembly – LH	19015799
18	Torque arm end – RH	19015798
	Torque arm end – LH	21013637
19	Bolt	702220814
20	Nut	21016384
21	Bush	21011745

Fastenings, Torque Arm

22	Torque arm bolt	21015626
23	Torque arm locknut	21016115
24	Torque arm washer	21206225S

'U' Bolts and Associated Items

25	Top plate (standard applications)	21206056
26	Torque arm mounting bracket (underslung application)	21200109
27	'U' bolt	21206225
28	Washer, 'U' bolt	21206225S
29	Nut, 'U' bolt	21006511
30	Delrin liner	21016639
30A	Location button, underslung (not illustrated)	21200339

Spacer Block

 31	Dim. B	Part No.
		70
	25	21019698
	38	21018636
	45	21019763

1
LM & LC

2
TA & TC

3
TE

4
TM

5
STEERING
AXLES

6
FLEXAIR
FLEXLITE

7
INDAIR

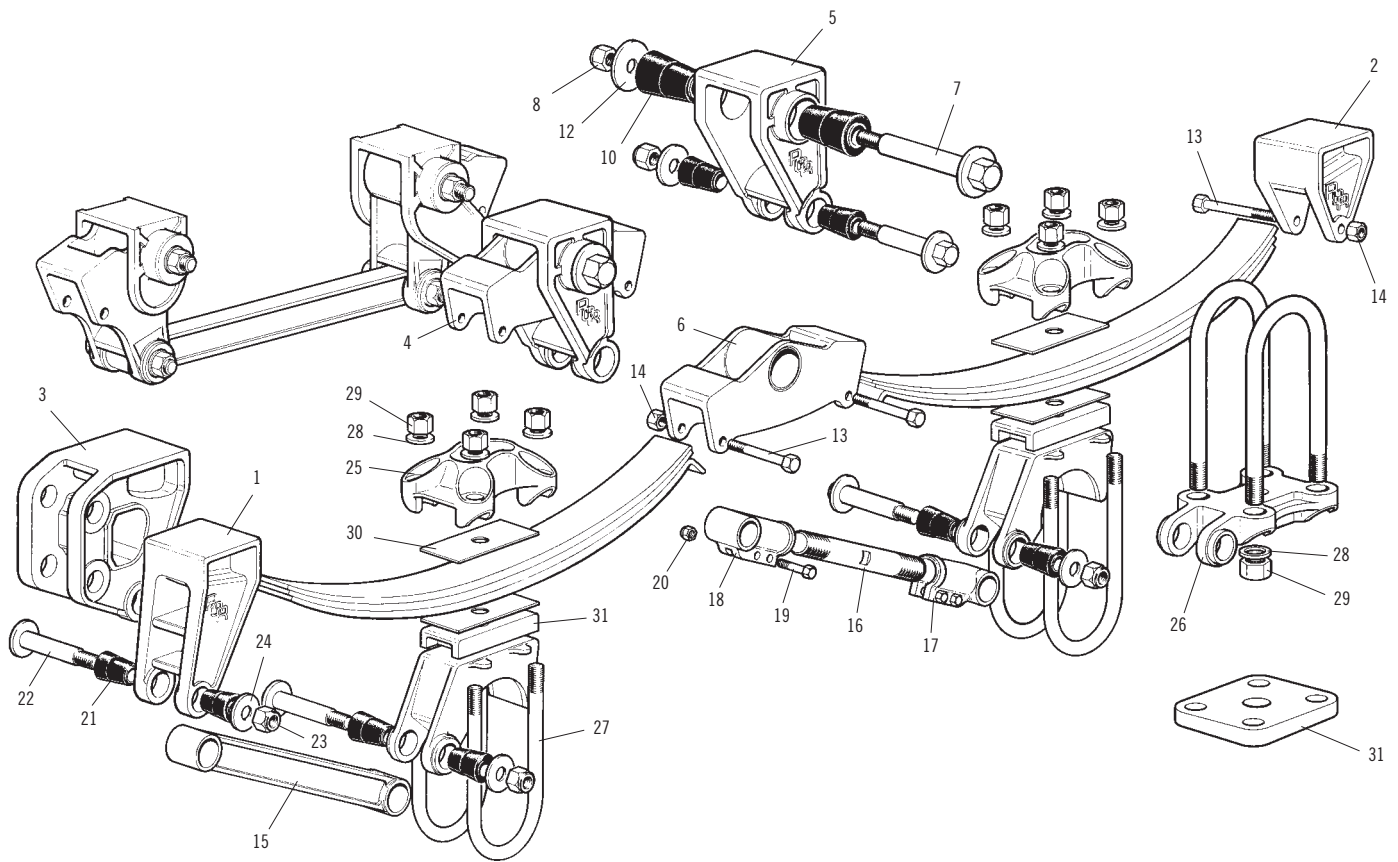
8
SMT

9
AXL KITS



MECHANICAL SUSPENSION PARTS LIST

'SMT' SERIES SUSPENSIONS



Hanger Brackets

1	Front	21205836
2	Rear	21206082
3	Drawbar	21206941

Equalisers

	Close Coupled	Semi-widespread	Widespread
4	Complete assembly	19206038	19206221
	Complete assembly – heavy duty	19221280	–
	Complete assembly – heavy duty – front	–	19206132
	Complete assembly – heavy duty – rear	–	19206131
	Complete assembly – offset 110 RH	19212382/110 RH	–
	Complete assembly – offset 110 LH	19212383/110 LH	–
5	Equaliser bracket	21205837	21205837
	Equaliser bracket – front	–	21204037
	Equaliser bracket – rear	–	21206133
	Equaliser bracket – offset 110	21212384/110	–
6	Equaliser	21203141A	21204062
	Equaliser – heavy duty	21212538	–
	Equaliser – offset 110 RH	21212385/110 RH	–
	Equaliser – offset 110 LH	21212386/110 LH	–
7	Bolt equaliser	21206000	21206000
	Bolt equaliser – offset 110	21212390	–
8	Equaliser bolt locknut	99527004	99527004
10	Bush	21020676	21020676
10A	Tube spacer – offset 110	21212388	–
12	Clamp washer	21020678	21020678
13	Bolt	21206055	21206055
14	Nut	21206037	21206037

1 LM & LG
2 TA & TC
3 TE
4 TM
5 STEERING AXLES
6 FLEXAIR FLEXLITE
7 INDAL
8 SMT
9 AXL KITS

MECHANICAL SUSPENSION PARTS LIST

'SMT' SERIES SUSPENSIONS



Torque Arms Rigid

15		Part/Casting No.	'A' Centres
		21205839	464
21206135	381		
21206136	699		
21206138	549		
21206140	438		
21206141	337		
21206142	360		
21206256	406		
21204055	450		

Torque Arms Adjustable

16		Assembly Part No.	Screw Part No.	Max/Min Centres mm
		19206039	21016126	498/441
19206143	21016433	562/502		
19206144	21016124	438/381		
19206145	21017758	378/327		
19206146	21019394	406/349		
19206147	21018359	648/584		

Torque Arm End Assembly

17	Complete torque arm end assembly – RH	19209548
	Complete torque arm end assembly – LH	19209549
18	Torque arm end – RH	21205840
	Torque arm end – LH	21205841
19	Bolt	21206054
20	Nut	21206037
21	Bush	21202104

Fastenings, Torque Arm

22	Torque arm bolt	21202094
23	Torque arm locknut	21206001
24	Torque arm washer	21202092

'U' Bolts and Associated Items

25	Top plate (standard applications)	21206056
26	Torque arm mounting bracket (underslung application)	21206139
27	'U' bolt	21206225S
28	Washer, 'U' bolt	21206225S
29	Nut, 'U' bolt	21006511
30	Delrin liner	21016639
30A	Location button, underslung (not illustrated)	21200339
31	Clamp plate, underslung special (mono leaf version)	21218497

Spacer Block

31		Dim. B	Part No.
		70	21017317
25	21019698		
38	21018636		
45	21019763		

1
LM & LC

2
TA & TC

3
TE

4
TM

5
STEERING
AXLES

6
FLEXAIR
FLEXLITE

7
INDAIR

8
SMT

9
AXL KITS



MECHANICAL SUSPENSION PARTS LIST

SPRINGS

Part No.	No. of Leaves	Length mm	Thickness mm	Comments
21017560	Single	1221	41	1360 Axle spacing
21017788	Single	1221	38	1360 Axle spacing
21021021	Single	1198	38	1360 Axle spacing, tri-axle centre spring
21200891	Single	1198	41	1360 Axle spacing, tri-axle centre spring
21214495	Single	1175	38	1310 Axle spacing, low camber
21214496	Single	1170	38	1310 Axle spacing, tri-axle centre spring – low camber
21218360	Single	1175	41	1310 Axle spacing
21218361	Single	1170	41	1310 Axle spacing, tri-axle centre spring
21210822	2	1210	65	1360 Axle spacing
21210823	2	1190	65	1360 Axle spacing, tri-axle centre spring
21211928	2	1210	65	1360 Axle spacing, underslung
21211929	2	1190	65	1360 Axle spacing, tri-axle centre spring, underslung
21214502	2	1152	59	1310 Axle spacing
21214503	2	1128	59	1310 Axle spacing, tri-axle centre spring
21214578	2	1152	59	1310 Axle spacing, underslung
21214579	2	1128	59	1310 Axle spacing, tri-axle centre spring, underslung
21204279	3	1197	78	1360 Axle spacing
21204921	3	1175	78	1360 Axle spacing, tri-axle centre spring
21204922	3	1175	78	1360 Axle spacing, tri-axle centre spring, underslung
21204923	3	1197	78	1360 Axle spacing, underslung
21214066	3	1152	78	1310 Axle spacing
21214067	3	1128	78	1310 Axle spacing, tri-axle centre spring
21214580	3	1152	78	1310 Axle spacing, underslung
21214581	3	1128	78	1310 Axle spacing, tri-axle centre spring, underslung
21215420	3	1000	69	1145 Axle spacing
21215421	3	972	69	1145 Axle spacing, tri-axle centre spring
21217432	3	1000	69	1145 Axle spacing, underslung
21217433	3	972	69	1145 Axle spacing, tri-axle centre spring, underslung
21019961	5 + 2p	1099	100	1245 Axle spacing
21020425	5 + 2p	1099	100	1245 Axle spacing, underslung – convert from 21019961
21020876	5	1099	71	1245 Axle spacing
21016923	6	1089	102	1265 Axle spacing, tri-axle centre spring
21024589	6	1210	90	1360 Axle spacing, low camber
21024778	6	1175	90	1360 Axle spacing, tri-axle centre spring – low camber
21029750	6 + 1p	1210	102	1360 Axle spacing
21200058	6 + 1p	1210	102	1360 Axle spacing, underslung – convert from 21019750
21200996	6 + 1p	1175	102	1360 Axle spacing, tri-axle centre spring
21209864	6 + 1p	1175	102	1360 Axle spacing, tri-axle centre spring, underslung
21016922	7 + 1p	1108	102	1265 Axle spacing
21024587	7	1210	109	1360 Axle spacing – low camber spring
21024779	7	1175	109	1360 Axle spacing, tri-axle centre spring – low camber
21200108	7	1210	100	1360 Axle spacing
21200877	7	1210	100	1360 Axle spacing, underslung – convert from 21200108
21200997	7	1175	100	1360 Axle spacing, tri-axle centre spring
21202210	7	1175	100	1360 Axle spacing, underslung – convert from 21200997

MECHANICAL SUSPENSION PARTS LIST

SPRINGS



Part No.	No. of Leaves	Length mm	Thickness mm	Comments
21017128	8	1210	102	1360 Axle spacing, underslung – convert from 21017650
21017650	8	1210	102	1360 Axle spacing
21018612	8	1029	102	1135 Axle spacing, tri-axle centre spring
21019196	8 + 1p	927	102	1040/1135 Axle spacing
21019399	8 + 1p	845	102	1040 Axle spacing, tri-axle centre spring
21020068	8 + 1p	927	102	1040/1135 Axle spacing, underslung – convert from 21019196
21020069	8 + 1p	845	102	1040 Axle spacing, underslung – convert from 21019399
21024734	8	1029	102	1135 Axle spacing, underslung – convert from 21018612
21200078	8	1210	114	1360 Axle spacing
21200431	8	1210	114	1360 Axle spacing, underslung – convert from 21200078
21200998	8	1175	114	1360 Axle spacing, tri-axle centre spring
21203367	8	1175	114	1360 Axle spacing, tri-axle centre spring, underslung
21212847	8	1045	102	1200 Axle spacing
21212848	8	1020	102	1200 Axle spacing, tri-axle centre spring
21017651	9	1210	114	1360 Axle spacing
21019555	9	1210	114	1360 Axle spacing, underslung – convert from 21017651
21023701	9	1175	114	1360 Axle spacing, tri-axle centre spring
21201289	9	1210	129	1360 Axle spacing
21209244	9	1175	129	1360 Axle spacing, tri-axle centre spring
21211383	9	1210	129	1360 Axle spacing, underslung – convert from 21201289
21017682	10	1210	127	1360 Axle spacing
21017798	10	1210	127	1360 Axle spacing, underslung – convert from 21017682
21200067	10	953	111	1100 Axle spacing
21200068	10	902	111	1100 Axle spacing, tri-axle centre spring
21200284	10	1175	127	1360 Axle spacing, tri-axle centre spring
21203522	10	1213	143	1360 Axle spacing
21203636	10	1182	143	1360 Axle spacing, tri-axle centre spring
21220527	10	1213	143	1360 Axle spacing, underslung – convert from 21203522
21220528	10	1182	143	1360 Axle spacing, underslung – convert from 21203636
21024588	11	933	96	1080 Axle spacing – low camber spring
21025427	12	1210	152	1360 Axle spacing
21202467	12	1175	152	1360 Axle spacing, tri-axle centre spring
21203629	11	1213	157	1360 Axle spacing
21203630	11	1182	157	1360 Axle spacing, tri-axle centre spring
21203869	11	889	96	1080 Axle spacing, tri-axle centre spring – low camber spring
21211035	12	1210	152	1360 Axle spacing, underslung – convert from 21025427
21211036	12	1175	152	1360 Axle spacing, underslung – convert from 21202467

1
LM & LC

2
TA & TC

3
TE

4
TM

5
STEERING AXLES

6
FLEXAIR FLEXLITE

7
INDAIR

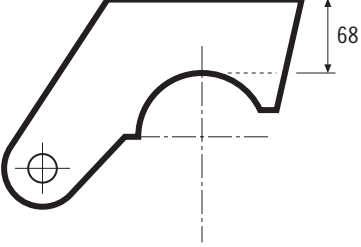
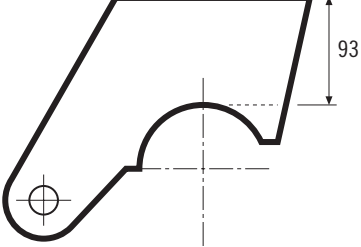
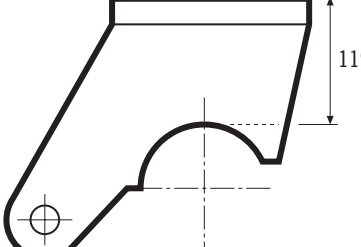
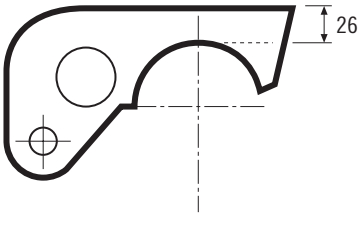
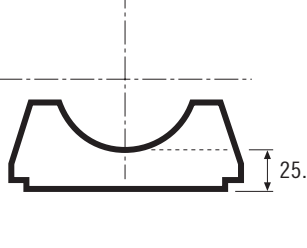
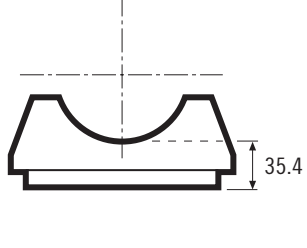
8
SMT

9
AXL KITS

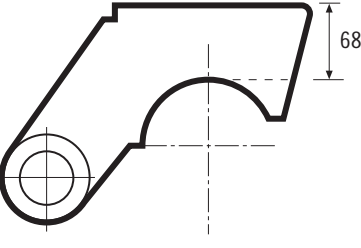
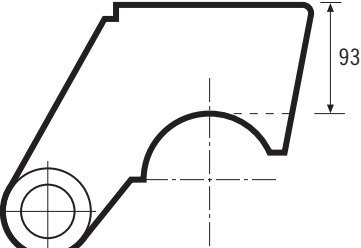
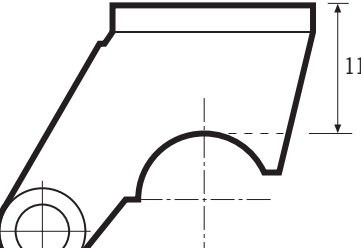
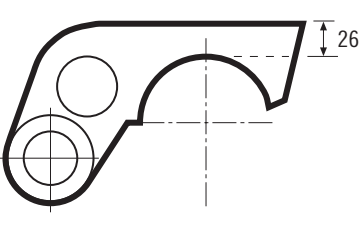
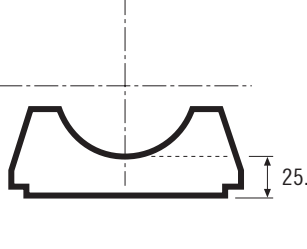
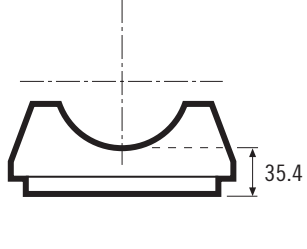
MECHANICAL SUSPENSION PARTS LIST

SPRING SEATS

M & SM

 <p>21017616</p>	 <p>21017617</p>	 <p>21020407</p>
 <p>21024150</p>	 <p>21018673</p>	 <p>21201739</p>

SMT

 <p>21205838</p>	 <p>21206070</p>	 <p>21206111</p>
 <p>21206071</p>	 <p>21018673</p>	 <p>21201739</p>

1 LM & LC
2 TA & TC
3 TE
4 TM
5 STEERING AXLES
6 FLEXAIR FLEXLITE
7 INDAL
8 SMT
9 AXL KITS

MECHANICAL SUSPENSION PARTS LIST

SUSPENSION KITS



SUS 1



Torque Arm Bush/Bolt Kit

Suitable for M & SM series suspensions

Qty	Component	Part No.
2	Torque arm bolt	21015626
2	Torque arm bush	21011745
2	Washer	21206539
2	Locknut	21016115

SUS 2



Equaliser Bush Kit

Suitable for SMT, SM and T series suspensions

Qty	Component	Part No.
1	Equaliser shaft	21206000
1	Nut	99527004
2	Bush	21020676
1	Washer	21020678

SUS 3



Torque Arm Bush/Bolt Kit

Suitable for all SMT series suspensions

Qty	Component	Part No.
2	Torque arm bolt	21202094
2	Locknut	99527004
2	Washer	21202092
4	Bush	21202104

SUS 4



Equaliser Bush Kit

Suitable for M series suspensions

Qty	Component	Part No.
1	Shaft	21016381S
1	Bush	21011746
1	Pin	21016382

1
LM & LC

2
TA & TC

3
TE

4
TM

5
STEERING AXLES

6
FLEXAIR FLEXLITE

7
INDAIR

8
SMT

9
AXL KITS





1

LM & LG

2

TA & TC

3

TE

4

TM

5

STEERING
AXLES

6

FLEXAIR
FLEXLITE

7

INDAI

8

SMT

9

AXL KITS





MERITOR TRAILER PRODUCTS AXLE & BRAKE PARTS LIST

'AXL' SERVICE KITS



1	LM & LC
2	TA & TC
3	TE
4	TM
5	STEERING AXLES
6	FLEXAIR FLEXLITE
7	INDAIR
8	SMT
9	AXL KITS

AXLE & BRAKE PARTS LIST

'AXL' SERVICE KITS

1

LM & LC

AXL-101



OIL SEAL KIT

1/2 Axle set suitable for: U 20000, U 22500

Qty	Component	Part No.
1	Oil seal	21016330
1	Wear sleeve	21016331
1	Gasket	21006633

2

TA & TC

AXL-102



OIL SEAL KIT

(Grease Application)

1/2 Axle set suitable for: TM 20000, TM 22500, TM 25000

Qty	Component	Part No.
1	Oil seal	21020663
1	Wear sleeve	21020664
1	Gasket	21021002

3

TE

4

TM

AXL-103



OIL SEAL KIT

(Grease/Oil Application)

Axle set suitable for: TM 20000, TM 22500, TM 25000

Qty	Component	Part No.
2	Oil seal (unitised)	21200321A
2	Gasket	21021002

N.B. Please note this kit is also available with the 21200321B oil seal, kit No. AXL 103B.

5

STEERING AXLES

6

FLEXAIR FLEXLITE

7

INDAI

AXL-104



AXLE END NUT KIT

1/2 Axle set suitable for: TE 9000/9300

Qty	Component	Part No.
1	Bearing retainer washer	21220726
1	Lockwasher	21221061
1	Bearing retainer nut	21220759

8

SMT

9

AXL KITS

AXLE & BRAKE PARTS LIST

'AXL' SERVICE KITS



AXL-105



AXLE END NUT KIT

1/2 Axle set suitable for: TM 20000, TM 22500, TM 25000

Qty	Component	Part No.
1	Lockwasher	21020818
1	Adjusting nut	21205571
1	Locknut	21210819

AXL-106



BRAKE ANCHOR PIN & CAM ROLLER KIT (SERIES II)

1/2 Axle set suitable for: T, U, TH & TM axles (not 310mm brake)

Qty	Component	Part No.
2	Anchor pin bush (indented)	21016666A
2	Anchor pin	21205204
1	Grease sachet	21214204
4	Circlip	99504001
2	Camshaft roller	21006610
2	Roller retaining clip	21224831
2	Roller pin 12.7mm x 63.0mm	21220171
1	Brake return spring	21221224

AXL-111



CAMSHAFT BUSH KIT

1/2 Axle set suitable for: TH & TM axles, pre May 1974

Qty	Component	Part No.
1	Nylon spherical bearing	21006585
1	Cam head washer	21006593
2	Bevel washer	21006624
1	Washer, spacing, thick	21006627
1	Washer, spacing, thin	21006662
2	'O' ring	21014640
2	'O' ring outer	21016720
2	'O' ring inner	21016721
1	Bush	21204601
1	Bush	21204602
1	Retaining washer	21219862
1	Circlip	99070006
1	Circlip 30mm dia. external	99507030

AXL-112



CAMSHAFT BUSH KIT

1/2 Axle set suitable for: TH & TM axles, after May 1974

Qty	Component	Part No.
1	Spherical bearing assembly	15213430
1	Cam head washer	21006593
2	Bevel washer	21006624
1	Washer, spacing, thick	21006627
1	Washer, spacing, thin	21006662
2	'O' ring outer	21016720
2	'O' ring inner	21016721
1	Bush	21204601
1	Bush	21204602
1	Retaining washer	21219862
2	Circlip	99070006
1	Circlip 30mm dia. external	99507030

- 1 LM & LC
- 2 TA & TC
- 3 TE
- 4 TM
- 5 STEERING AXLES
- 6 FLEXAIR FLEXLITE
- 7 INDAIR
- 8 SMT
- 9 AXL KITS

AXLE & BRAKE PARTS LIST

'AXL' SERVICE KITS

1

LM & LG

AXL-114



OIL SEAL KIT

1/2 Axle set suitable for: TE 9000/9300

Qty	Component	Part No.
1	Hubcap seal	21223797
1	Oil seal	21220158

2

TA & TC

AXL-117



CAMSHAFT ROLLER/RETURN SPRING KIT

1/2 Axle set suitable for: All axles with series III 121/4" (310mm) brake

Qty	Component	Part No.
2	Camshaft roller	21006610
1	Brake return spring	21220859
2	Roller retainer clip	21224831
2	Roll pin 12.7mm x 63.0mm	21220171
2	Retainer spring	21205194
2	Anchor pin (grooved)	21205193G
2	Anchor pin bush (indented)	21016666A
1	Grease sachet	21214204
4	'O' ring (high temperature)	21220668

3

TE

4

TM

AXL-122



CAMSHAFT BUSH KIT

1/2 Axle set suitable for: TE 9000/9300, TM with fabricated anchor bracket

Qty	Component	Part No.
1	Spherical bearing assembly, cam end	15224821
1	Spherical bearing assembly, spline end	15213430
1	Inner boot, spline end	21204849
1	Outer boot, spline end	21205667
2	Cable tie	21221065
1	Washer, spacing, thin	21006662
1	Bevel washer	21006624
1	Retaining washer	21219862
1	Circlip 30mm dia. external	99507030
1	Circlip	99070006
1	External pull off spring	21210215
1	Inner boot, cam end	21224729
1	Outer boot, cam end	21224730
1	Grease nipple cap	21224282

5

STEERING AXLES

6

FLEXAIR FLEXLITE

7

INDAI

AXL-123



BRAKE SEALING KIT

Axle set suitable for: All axles with 420mm brakes, forged anchor bracket

Qty	Component	Part No.
4	Boot large	21204850
2	Sealing strip	21205639
2	Boot short (spherical bearing)	21205667
4	Ratchet ties	21221065

8

SMT

9

AXL KITS

AXLE & BRAKE PARTS LIST

'AXL' SERVICE KITS



AXL-124

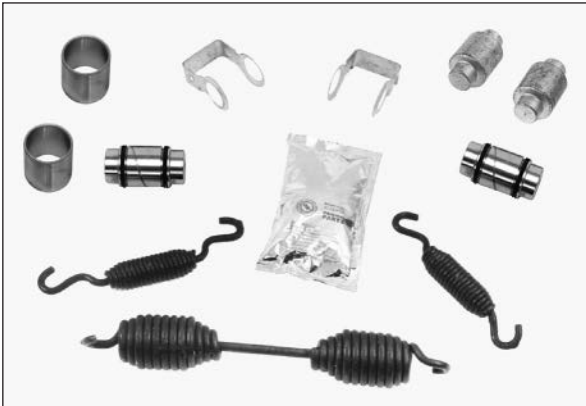


BRAKE SEALING KIT

1/2 Axle set suitable for: All axles with 310/350mm brakes

Qty	Component	Part No.
2	Sealing strip 350	21213886
4	Boot small	21204849
2	Boot short (spherical bearing)	21205667
4	Cable tie	21221065

AXL-125



SERIES III SHORT KIT

1/2 Axle set suitable for: TE 9000/9300, TM axles with 420mm brakes, fabricated anchor bracket

Qty	Component	Part No.
1	Brake return spring (350/420)	21221224
2	Retainer spring	21205194
2	Anchor pin & bush assembly	15226632
2	Roller retainer clip	21224831
1	Grease sachet	21214204
2	Cam roller	21006610

AXL-126



CAMSHAFT BUSH KIT

1/2 Axle set suitable for: All T, U, TH & TM series axles with 420/350mm brakes, forged anchor bracket

Qty	Component	Part No.
2	Camshaft roller	21006610
2	Anchor pin bush (indented)	21016666A
2	Roller retainer clip	21224831
2	Anchor pin (grooved)	21205193G
2	Retainer spring	21205194
4	'O' ring (high temperature)	21220668
1	Grease sachet	21214204
2	Roll pin 12.7mm x 63.0mm	21220171
1	Brake return spring (350/420)	21221224

AXL-131



CAMSHAFT BUSH KIT

1/2 Axle set suitable for: T, U, TH & TM axles, pre May 1974, to fit stepped camshafts

Qty	Component	Part No.
1	Cam head washer	21202756
2	'O' ring inner	21016721
1	Cam bush (phosphor bronze)	21209990
2	Bevel washer	21202757
1	Circlip	99070006
1	Circlip	99070011
1	Nylon spherical bearing	21006585
2	'O' ring	21014640
1	Grease nipple	99040012
1	Washer, spacing, thick	21006627
1	Washer, spacing, thin	21006662
1	Circlip 30mm dia. external	99507030
1	Retaining washer	21219862

1
LM & LC

2
TA & TC

3
TE

4
TM

5
STEERING AXLES

6
FLEXAIR FLEXLITE

7
INDAIR

8
SMT

9
AXL KITS

AXLE & BRAKE PARTS LIST

'AXL' SERVICE KITS

1
LM & LC

AXL-132



CAMSHAFT BUSH KIT

1/2 Axle set suitable for: TM axles after May, 1974, to fit stepped camshafts

Qty	Component	Part No.
1	Spherical bearing assembly	15213430
1	Washer, spacing, thick	21006627
1	Washer, spacing, thin	21006662
2	'O' ring inner	21016721
1	Cam head washer	21202756
1	Bevel washer	21202757
1	Cam bush (phosphor bronze)	21209990
1	Retaining washer	21219862
1	Circlip	99070006
1	Circlip	99070011
1	Circlip 30mm dia. external	99507030

2
TA & TC

AXL-140



CAMSHAFT BUSH KIT

1/2 Axle set suitable for: All axles with 420mm brakes, fabricated anchor bracket

Qty	Component	Part No.
1	Cam head bearing assembly	A23105Q1213
4	Screw, cam head bearing	99546000
1	Washer seal, cam end	1229K4795
1	Boot, cam end	2260K1155
1	Washer, cam end	1229S4101
1	Snap ring, cam end	1229T4102
1	Spline end bearing assembly	15213430
4	Screw, spline end bearing	99546002
1	Inner boot, spline end	21204849
1	Outer boot, spline end	21205667
1	Washer, spacing, thick	21006627
1	Washer, spacing, thin	21006662
1	Retaining washer	21219862
1	Circlip	99507030
2	Cable tie	21221065
2	Sachet high performance grease	99226786

3
TE

4
TM

5
STEERING
AXLES

AXL-LM1



CAMSHAFT BUSH KIT

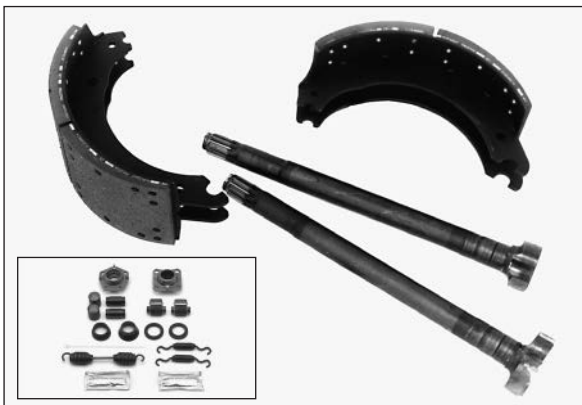
1/2 Axle set suitable for: LM & LMC axles

Qty	Component	Part No.
2	Anchor pin & bush assembly	15226632
2	Cam roller assembly	15226262
1	Brake return spring	21221224
2	Retaining spring	21205194
1	Spherical bearing assembly, cam end	15224821
1	Inner boot, cam end	21224729
1	Outer boot, cam end	21224730
1	Spherical bearing assembly, spline end	15213430
1	Inner boot, spline end	21204849
1	Outer boot, spline end	21205667
1	Cable tie	21221065
2	Sachet high performance brake grease	99226786

6
FLEXAIR
FLEXLITE

7
INDAI

AXL-LM2



AXLE CONVERSION KIT

1/2 Axle set suitable for: LM & LMC axles

Qty	Component	Part No.
2	Brake shoe 420 x 180 (Q+)	15224952R
1	Camshaft RH. 420 x 525.5	21224793
1	Camshaft LH. 420 x 525.5	21224794
2	Camshaft bush kit LM	AXL LMI

8
SMT

9
AXL KITS

AXLE & BRAKE PARTS LIST

'AXL' SERVICE KITS



AXL-LM3



Q PLUS AXLE CONVERSION KIT

1/2 Axle set suitable for: LM & LMC axles

Qty	Component	Part No.
2	Brake shoe 420 x 180 (Q+)	15224952R
1	Camshaft RH 420 x 587.5	21224795
1	Camshaft LH 420 x 587.5	21224796
2	Camshaft bushing kit LM	AXL LM1

AXL-1LM4



BRAKE ANCHOR PIN & CAM ROLLER KIT

1/2 Axle set suitable for: LM & LMC axles

Qty	Component	Part No.
2	Anchor pin & bush assembly	15226632
2	Cam roller assembly	15226262
1	Brake return spring	21221224
2	Retaining spring	21205194
2	Sachet high performance brake grease	99226786

1
LM & LMC

2
TA & TC

3
TE

4
TM

5
STEERING AXLES

6
FLEXAIR FLEXLITE

7
INDAIR

8
SMT

9
AXL KITS



1

LM & LC

2

TA & TC

3

TE

4

TM

5

STEERING
AXLES

6

FLEXAIR
FLEXLITE

7

INDAI

8

SMT

9

AXL KITS





Handwriting practice area with horizontal lines and a large red bull illustration.



- 1 LM & LC
- 2 TA & TC
- 3 TE
- 4 TM
- 5 STEERING AXLES
- 6 FLEXAIR FLEXLITE
- 7 INDAIR
- 8 SMT
- 9 AXL KITS

DISCLAIMER

DISCLAIMER · AVIS DE NON-RESPONSABILITÉ · ABLEHNUNG · ESCLUSIONE DI RESPONSABILITÀ · DISCLAIMER · DESCARGO DE RESPONSABILIDAD · WYŁĄCZENIE ODPOWIEDZIALNOŚCI · ОТКАЗ ОТ ОТВЕТСТВЕННОСТИ · EXONERAÇÃO DE RESPONSABILIDADE · إخلاء المسؤولية القانونية

1
LM & LC

(GB) The designated trademarks are registered marks of their respective owners and Meritor and its affiliates are not commercially connected, affiliated, or associated with any of the owners of such marks. The Meritor products presented herein are not endorsed or authorized by any of the trademark owners.

2
TA & TC

(F) Les marques désignées sont des marques déposées par leurs propriétaires respectifs. Meritor et ses filiales ne sont en aucun cas liés, affiliés ou associés aux propriétaires de ces marques. Les produits d'Meritor présentés dans ce document ne sont ni recommandés ni autorisés par les propriétaires de ces marques.

3
TE

(D) Die genannten Handelsmarken sind geschützte Marken ihrer jeweiligen Eigentümer und Meritor und seine unterschiedlichen Tochtergesellschaften sind mit keinem der Eigentümer dieser Marken gewerbsmäßig verbunden, eine Filiale der Marke oder der Marke angegliedert. Die hier präsentierten Produkte von Meritor werden von den Eigentümern der Handelsmarken anderweitig weder empfohlen noch konzessioniert.

4
TM

(I) I marchi specificati sono marchi registrati che appartengono ai relativi proprietari. Meritor e le sue società affiliate non hanno alcun legame commerciale, affiliazione o associazione con i proprietari di tali marchi. I prodotti Meritor qui presentati non sono raccomandati o autorizzati da nessuno dei proprietari di tali marchi.

5
STEERING AXLES

(NL) De vermelde handelsmerken zijn geregistreerde merken van de respectievelijke eigenaren en de onderneming Meritor en haar filialen zijn niet commercieel verbonden aan, aangesloten bij of geassocieerd met de eigenaren van dergelijke merken. De hier gepresenteerde Meritor producten worden door geen van deze eigenaren van handelsmerken aanbevolen of goedgekeurd.

6
FLEXAIR FLEXLITE

(E) Las marcas designadas son marcas registradas de sus propietarios respectivos y Meritor y sus filiales no están conectados, afiliados o asociados comercialmente con ninguno de los propietarios de dichas marcas. Los productos Meritor presentados aquí no están aprobados o autorizados por ninguno de los propietarios de las marcas registradas.

7
INDAI

(PL) Wskazane znaki handlowe są zastrzeżonymi znakami handlowymi odpowiednich właścicieli. Firma Meritor i spółki z nią powiązane nie podjęły żadnej współpracy handlowej z właścicielami tych znaków. Przedstawione tu produkty firmy Meritor nie mają rekomendacji ani autoryzacji właścicieli wymienionych znaków handlowych.

8
SMT

(RU) Указываемые торговые марки являются зарегистрированными торговыми марками их соответствующих владельцев и компания Meritor и ее дочерние структуры не имеют каких-либо коммерческих отношений, не аффилированы и не ассоциированы с какими-либо владельцами таких торговых марок. Представленные здесь изделия компании Meritor не являются переданными или санкционированными любыми владельцами торговых марок.

9
AXL KITS

(P) As marcas comerciais designadas são marcas registradas de seus respetivos proprietários e a Meritor e suas filiais não estão ligadas, afiliadas ou associadas comercialmente com quaisquer dos proprietários das referidas marcas. Os produtos da Meritor aqui apresentados não são apoiados ou autorizados por quaisquer dos proprietários de marcas comerciais.

(UAE) العلامات التجارية المسجلة لمالكها وأرفين ميريتور وشركاتها التابعة غير مرتبطة تجارياً أو تابعة أو متصلة بملك هذه العلامات. ومنتجات أرفين ميريتور المقدمة هنا غير مدعومة أو مصرح بها من قبل أي من ملك هذه العلامات.





MPN1028

Distributed by



The designated trademarks are registered marks of their respective owners and Meritor and its affiliates are not commercially connected, affiliated, or associated with any of the owners of such marks. The Meritor products presented herein are not endorsed or authorized by any of the trademark owners.

Meritor Aftermarket Switzerland AG
Neugutstrasse 89,
8600 Dübendorf, Switzerland
Telephone Number: +41 (0) 44 824 8200

Meritor Aftermarket UK Limited
Unit 1 Broad Ground Road, Lakeside Industrial Estate,
Redditch, Worcestershire, B98 8YS, U.K.
Telephone Number: +44 (0) 1527 50 3950

meritor.com

©2014 Meritor, Inc. All rights reserved.
Issued 08-14 Publication MPN1028

Descriptions and specifications were in effect
at the time of publication and are subject to
change without notice or liability