

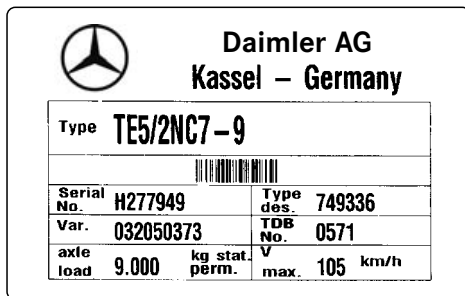
DLS Air-Suspension Systems

Operating Instructions and Spare Parts List for Trailer Axles

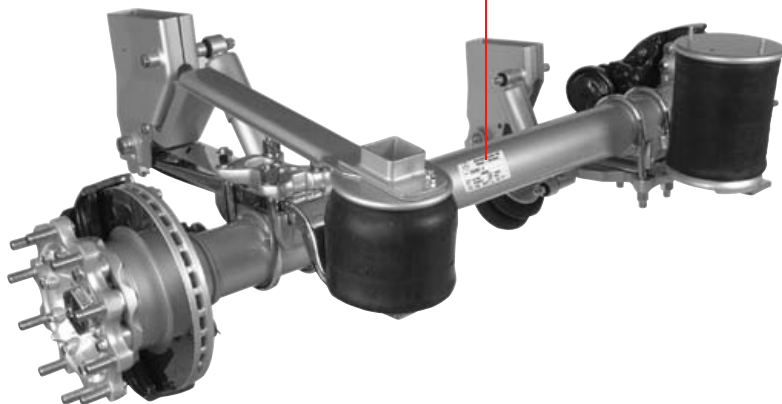
TrailerAxleSystems



Mercedes-Benz



The ID plate can be found on the centre of the axle housing.



Vehicle data

Vehicle manufacturer	
Address	
Vehicle model	
Chassis no.	
Delivery	
Registration	
Axle model	
Air-suspension type (order code/ride height)	
Axle numbers	

Table of contents

Introduction	4	Axle system	
		- Axle models TL4/1 and TL5/1	20 - 21
Notes		Air suspension	
- Model designations	4	- Ride height 450	22 - 23
- MB data systems (WIS/EPC)	5	- Ride height 390	24 - 25
- Warranty	6	- Ride height 355/Ride height 405	26 - 27
- Welding instructions/brake system	7	- Ride height 215/Ride height 290	28 - 29
- Checking brake lining thickness	8 - 9	- Ride height 330	30 - 31
		- Ride height 250/Ride height 300	32 - 33
Maintenance specifications		- Ride height 280/Ride height 330	34 - 35
- Axle models TZ5/2 and TZ3/2 with conventional bearing	10	- Ride height 375/Ride height 425	36 - 37
- Axle models TE5/2, TE4/2, TZ5/4 and TZ4/2 with compact bearing	11	- Ride height 385/Ride height 335/Ride height 360	38 - 39
		- Ride height 410	40 - 41
		- Ride height 485/Ride height 535	42 - 43
Wheel bearings		Lift systems	
- Axle models TE5/2, TE4/2 (9 t / offset 120), TL5/1 and TL4/1 with compact bearing	12	- Dual-side lift DLS, "bolt on" version	45
- Axle models TZ5/4 and TZ4/2 (9t / offset 0) with compact bearing	13	- Dual-side lift DLS, "pivoted" version	46
- Twin-wheel axle models TZ5/2 and TZ3/2 (10.5 t/offset 0) with conventional bearing	14	- Centre lift DLS	47
		Technical information	
Brakes		- Tightening torques	48 - 49
- Brake cylinder	15	- Axle tracking	50
- Disc brake 22.5", manufactured by Knorr, SN7 (TDB 571)		- Inspections and maintenance	51
- Disc brake 19.5", manufactured by Knorr, SN6 (TDB 637)	16 - 17	- Tools	52
- Disc brake 22.5", manufactured by Knorr, SK7 (TDB 815)	18 - 19	Maintenance work/Service24h	53 - 59

Introduction

This maintenance booklet is intended to serve as a guideline for performing maintenance work on your axle. Always perform the work specified by us when it is due to maintain operating reliability. Our axles are subject to continuous development. Please appreciate that the maintenance scopes may change due to technical modifications. Any maintenance work due and inspections prescribed at certain intervals by law (in Germany, for example, Section 29 of the StVZO Road Transport Licensing Regulations) can be performed individually or together, depending on what is better for the individual company.

In order to offer the most favourable scope of work, it is possible to select between:

- Complete maintenance
- Maintenance excluding those items which are covered by the intermediate and main inspections.

The “daily vehicle check” before starting a journey is one of the driver’s obligations and is described in the vehicle Operating Instructions.

Model designations for trailer and semi-trailer axles

Example

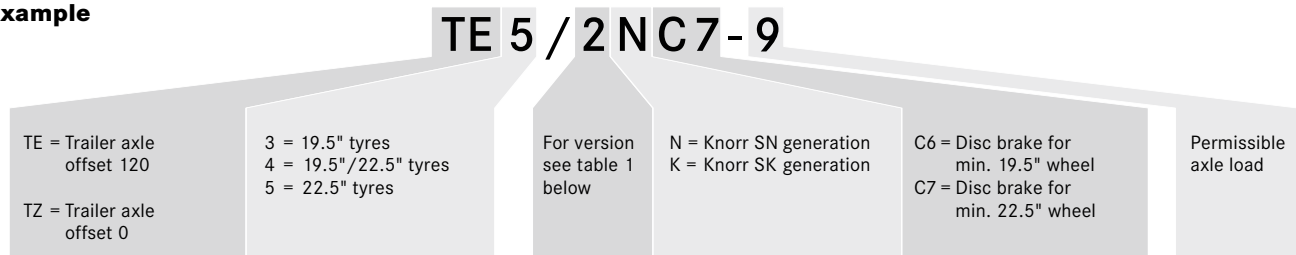


Table 1: Version description

Basic model	Version	Bearing type	Axle tube
TZ 3	2	Single	Ø146x12
TE 4	2	Compact	Ø146x9.5
	3	Compact	Ø146x12
TL 4	1	Compact	Ø146x17
TZ 4	2	Compact	Ø146x9.5
	3	Compact	Ø146x12

Basic model	Version	Bearing type	Axle tube
TE 5	2	Compact	Ø146x9.5
	3	Compact	Ø146x12
TL 5	1	Compact	Ø146x17
TZ 5	2	Single	Ø146x12
	3	Compact	Ø146x12
	4	Compact	Ø146x9.5

Information in the data systems (WIS/EPC) at MB Service Stations

Data card for trailer axle systems:

In order for the necessary replacement parts to be clearly identified, the installed components (SAA - optional equipment versions) must be determined with the VeDoc System using the axle serial no. (1) on the ID plate.

Example:

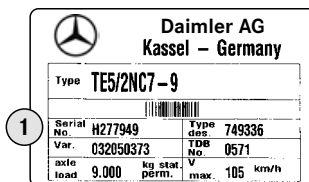
In the VeDoc Section Aggregate (IAG), in the space for the axle serial no., the axle number is to be entered as it is on the ID plate (here, e.g. H277949). Use the tab (SAA number) to receive an overview of the items of optional equipment which are installed at the factory.

Part identification:

When you reach the start screen of the **EPC System** (directly after entering the WDB vehicle serial no.), enter the axle model no. – e.g. 749334 – stated on the ID plate or in the VeDoc data card. A list of parts for this axle model will now be displayed. In the case of components fitted as an option, the validity must be checked against the VeDoc data so that the parts can be clearly identified.

Repair instructions:

Instructions for carrying out repairs to Mercedes-Benz TrailerAxleSystems can be found in the **WIS System** by entering the 'dummy' vehicle serial no. WDB000001, and then selecting the corresponding axle system on the right-hand side under the



data card or the ID plate.

Alternatively, you can retrieve the required repair instructions via the "Table of contents" and the following sub-directories:



heading "Major Assembly". You can then view the relevant documents by selecting the menu options "Documentation" and "Selection of test and repair operations". The model designation can again be read off the

- > AR (test and repair work)
- > Truck
- > Rear axle
- > Rear axle 749
- Suspension (air suspension)
- Rear axle (axle)
- Brakes (brake)

You can also find this information at:

www.dca-family.com

Warranty

An extensive network of Mercedes-Benz Service Stations is available to perform the maintenance work for you. Thanks to their equipment, tools, specially trained personnel, experience and regular technical training by the plant, all of these workshops ensure that your axle will be checked and serviced properly, thoroughly and in line with the latest practices. Warranty claims related to Mercedes-Benz TrailerAxleSystems can be filed with any authorised Mercedes-Benz Service Station.

Please follow the instructions in this maintenance booklet and ensure that they are also observed when a third party is responsible for use and care of the vehicle. Only in this man-

If you have any questions concerning the warranty, please contact the service department at:

D, B, NL, A, CH, PL

- Phone +49 (0) 561 802-2777
- Fax +49 (0) 561 802-2164

UK

- Phone +44 (0)1244 394-220
- Fax +44 (0)1244 394-224

ner can you ensure that your warranty remains valid. If maintenance services during the warranty period are not performed regularly or when they are due, or are not performed by an authorised workshop, a decision can only be made regarding warranty claims once an analysis report from the manufacturer is available.

Special lubricant additives are not required. The use of special additives and non-approved spare parts may limit the scope of the warranty.

No legal rights can be derived from the contents of these Operating Instructions.

F, E, P, I

- Phone +33 (0) 499 1337-37
- Fax +33 (0) 499 1337-30

GR

- Phone +30 (0) 210 6220316
- Fax +30 (0) 210 8161309

Welding instructions

Axle parts and parts of the wheel brakes are safety-critical parts. For this reason, the following work is in principle not permissible:

- Welding
- Build-up welding
- Heating and straightening
- Hard chrome plating
- Other similar work.

Such work can result in tension cracks which cannot be detected externally, but which can lead to fractures and accident damage. Any welding work required is subject to approval and must be agreed with Mercedes-Benz TrailerAxleSystems first.

Brake system

Release of the spring-loaded parking brake with insufficient supply pressure in the brake system

In emergencies or in the workshop, the spring-loaded parking brake can be released mechanically or pneumatically.

Caution! Risk of accident.

- **Before releasing the spring-loaded parking brake:**
Ensure that the vehicle cannot roll away.
- **Before starting up vehicle:**
Ensure that spring-loaded parking brake is in a proper operational state.
Apply parking brake.

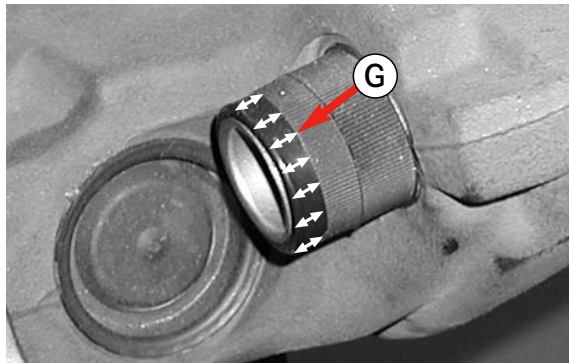
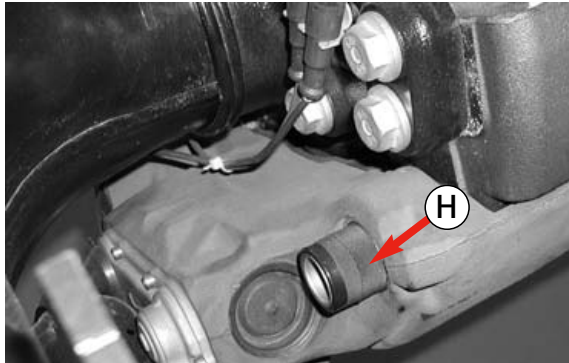
Mechanical release

- Screw release screws out to stop (released position).
Warning! Release torque of 35 Nm
(do not use an impact screwdriver)

To return spring-loaded parking brake to an operational state:

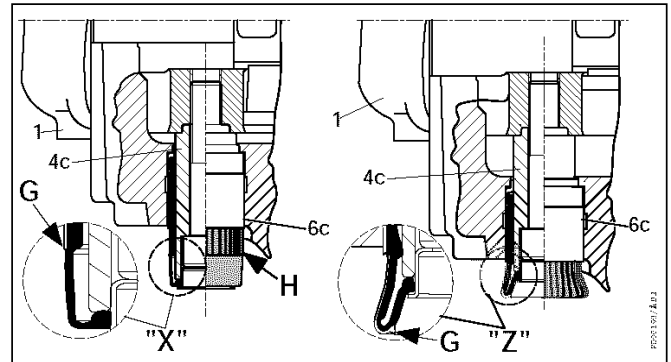
- Fill the brake system up to switch-off pressure
- Move the lever on the parking brake valve to the released position
- Completely screw in and tighten release screws (braked position)
Tightening torque: 45 Nm

Checking brake lining thickness



Checking brake lining wear with brake still fitted (SN6 / SN7):

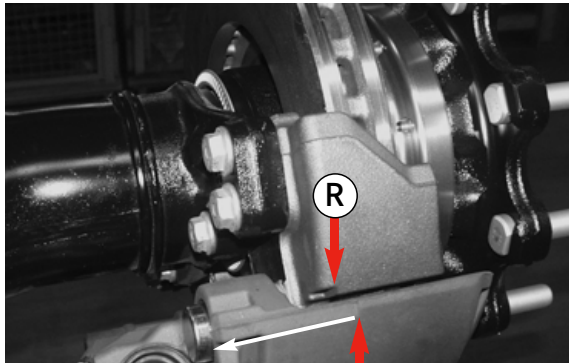
On all radial disc brakes with a guide sleeve which is grooved along its length (see arrow H).



The brake lining thickness can be checked with the wheels still fitted by examining the position of the edge "G" (transition point between the grooved and the smooth section).

State "X" shows the position of the wear mark "G" on the guide sleeve (6c) when the brake linings are **new**. The smooth section in front of the wear edge "G" is fully visible.

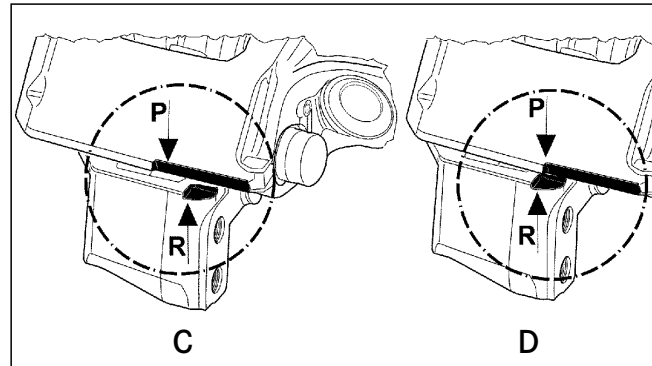
State "Z" shows the position of the wear mark "G" when the guide sleeve (6c) has rolled up, indicating that the **wear limit** has been reached. The smooth section in front of the wear edge "G" can no longer be seen. If this limit has been reached, the brake lining thickness and brake disc have to be checked again with the wheels removed. If necessary, replace the brake linings and/or the brake disc in accordance with the vehicle manufacturer's instructions (see table, page 11).



Movement of the
brake calliper if
worn

Checking brake lining wear with brake still fitted (SK7):

On all disc brakes with calliper and brake carrier markings (see arrows P and R).



The brake lining thickness can be checked with the wheels still fitted by examining the position of the brake calliper marking (P) in relation to the fixed brake carrier marking (R).

If state "D" is reached then the brake lining thickness and brake disc have to be checked again with the wheels removed.

If necessary, replace the brake linings and/or the brake disc in accordance with the vehicle manufacturer's instructions (see table, page 11).

C = new condition

D = brake lining and brake discs have to be checked with the wheels removed.

Maintenance specifications

Axle models TZ5/2 and TZ3/2 with conventional bearing

Maintenance work

Caution: always retighten wheel nuts to the specified tightening torque after 50 km (this also applies following each wheel change).

Wheel bearings

Re-pack wheel bearings with new grease every 300,000 km or 24 months. Check tapered roller bearings when repacking for re-usability, adjust wheel-bearing play and replace hub seal.

Visual check and safety tests

- Check chassis parts *annually* for wear, leakage and damage.
- Check brake lining wear regularly (when checking tyre pressure, for example)
- Check brake callipers *annually* for free movement (sliding), check external sealing boots of bolt guide for leakage.

General annual safety test e. g. automatic load-dependent brake-power distribution, tractor/trailer brake force distribution. If the tractor vehicle has been changed or has a different braking system from the trailer it is towing, the tractor/trailer brake force distribution must be adjusted. If the brake discs or linings are replaced, check the inner bellows of the brake calliper and replace if necessary.

Conditions of use

- **Vehicles with low mileage:**
Perform maintenance based on time intervals
- **Vehicles operating under extreme conditions:**
Reduce maintenance intervals accordingly

Adjusting wheel-bearing play (see page 48)

Service-product specifications

- For air springs and brass bushes: Renolit HLT2
- For rubber guide sleeve (70.3): Syntheso GL EPI
- For axle stub: MB assembly paste, wheel-bearing grease (Part no. A 000 989 63 51)

Axle models TE5/2, TE4/2, TZ5/4 and TZ4/2 with compact bearing

Maintenance work

Caution: always retighten wheel nuts to the specified tightening torque after 50 km (this also applies following each wheel change).

Maintenance-free compact bearings

Visually check for signs of wear each time the brake discs are replaced. (e. g. no endfloat)

Note: the sealing system may become damaged by the brakes overheating.

Visual check and safety tests

- Check chassis parts *annually* for wear, leakage and damage.
- Check brake lining wear regularly (when checking tyre pressure, for example)
- Check brake callipers *annually* for free movement (sliding), check external sealing boots of bolt guide for leakage.

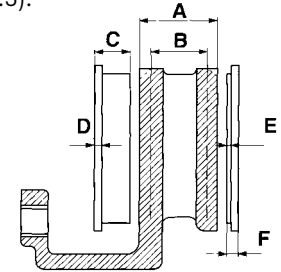
General annual safety test e.g. automatic load-dependent brake-power distribution, tractor/trailer brake force distribution. If the tractor vehicle has been changed or has a different braking system from the trailer it is towing, the tractor/trailer brake force distribution must be adjusted. If the brake discs or linings are replaced, check the inner bellows of the brake calliper and replace if necessary.

Conditions of use

- **Vehicles with low mileage:**
Perform maintenance based on time intervals
- **Vehicles operating under extreme conditions:**
Reduce maintenance intervals accordingly

Service-product specifications

- Brake callipers/air springs and brass bushings: Renolit HLT2
- Brake callipers/rubber guide sleeve (70.3): Syntheso GL EPI
- Bearing seat/axle stub: MB assembly paste (Part no.: A 000 989 80 51 10)

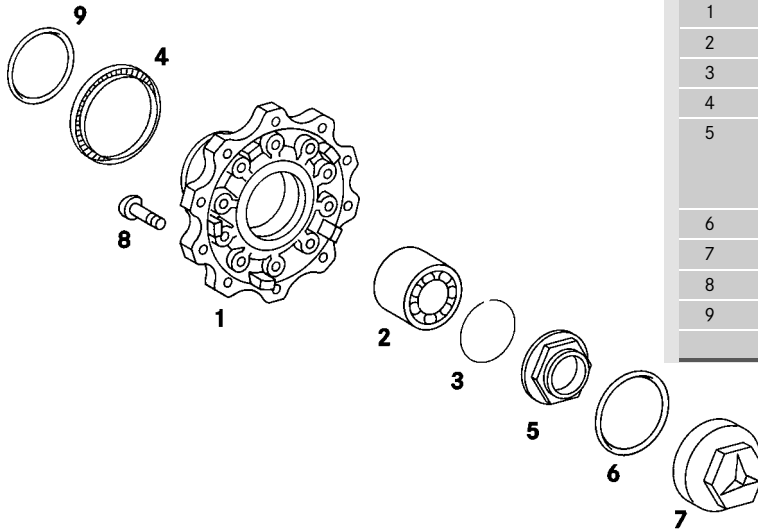


Technical data	Brake model	Brake model	Brake model
	SN6 19.5"	SN7 22.5"	SK7 22.5"
A Disc thickness	45 mm	45 mm	45 mm
B Disc wear limit	≤ 37 mm	≤ 37 mm	≤ 37 mm
C Lining thickness	30 mm	30 mm	30 mm
D Backing plate	9 mm	9 mm	7 mm
E Remaining lining thickness	2 mm	2 mm	2 mm
F Absolute minimum thickness	11 mm	11 mm	9 mm
Disc diameter	370 mm	430 mm	430 mm
No. of brake linings/axle	4	4	4

Wheel bearings

Axle models TE5/2, TE4/2 (9t/offset 120), TL5/1 and TL4/1 with compact bearing

Parts illustration

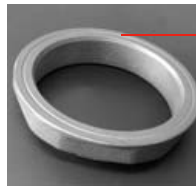


Parts list

Item no.	Part description	Part no.
1	Wheel hub	A 000 350 05 35
2	Tapered roller bearing unit	} available only as complete set
3	Retaining clip	
4	Pole wheel - 90 tooth	
5	Hex. Collar Nut M80x 1.5	A 946 334 05 15
	with RH thread (right side of vehicle)	A 970 990 00 50
	with LH thread (left side of vehicle)	A 970 990 01 50
6	O-ring	A 027 997 88 48
7	Hub cap	A 946 356 04 20
8	Wheel bolt M22x1.5x80	A 389 401 00 71
9	O-ring (from H240235)	A 029 997 97 48
	Wheel nut (not illustrated)	A 000 401 06 72



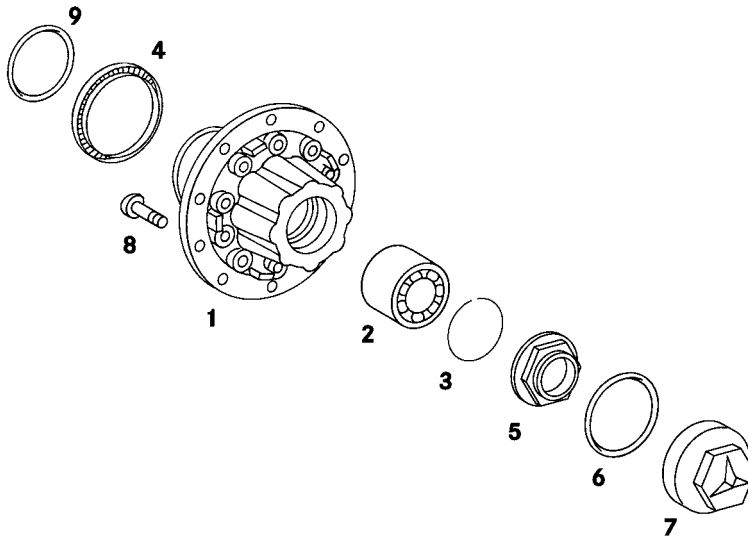
The left hand spindle end is engraved to indicate that it is a left hand threaded axle end nut.



The front face of the left hand nut is marked with a groove on the machine face.

Axle models TZ5/4 and TZ4/2 (9t/offset 0) with compact bearing

Parts illustration



Parts list

Item no.	Part description	Part no.
1	Wheel hub	A 000 350 09 35
2	Tapered roller bearing unit	} available only as complete set
3	Retaining clip	
4	Pole wheel - 90 tooth	
5	Hex. Collar Nut M 80x1.5	
	with RH thread (right side of vehicle)	A 970 990 00 50
	with LH thread (left side of vehicle)	A 970 990 01 50
6	O-ring	A 027 997 88 48
7	Hub cap	A 946 356 04 20
8	Wheel bolt M22x1.5x80	A 389 401 00 71
9	O-ring (from H240235)	A 029 997 97 48
	Wheel nut (not illustrated)	A 000 401 06 72



The left hand spindle end is engraved to indicate that it is a left hand threaded axle end nut.

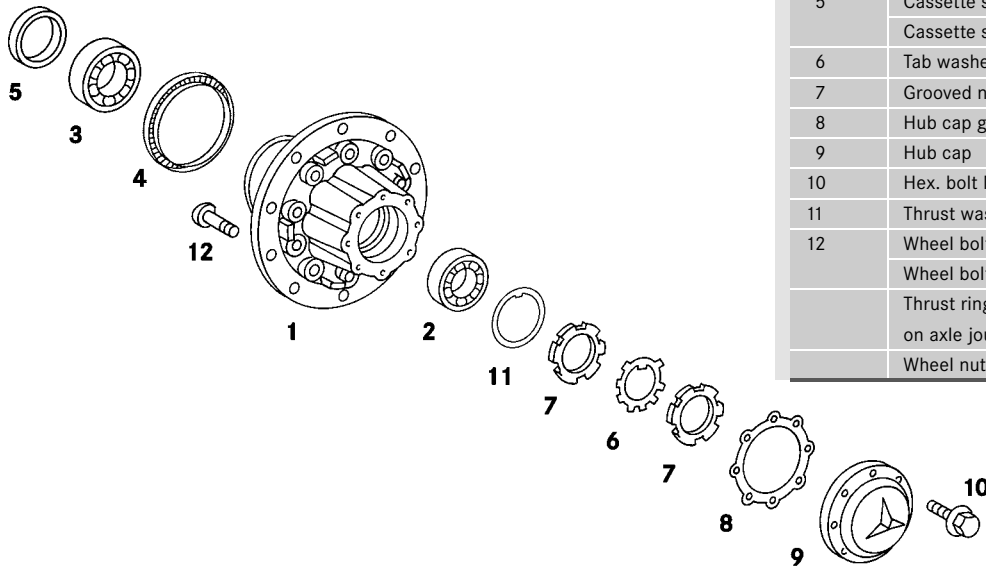


The front face of the left hand nut is marked with a groove on the machine face.

Wheel bearings

Twin-wheel axle models TZ5/2 and TZ3/2 (10.5t/offset 0) with conventional bearing

Parts illustration



Parts list

Item no.	Part description	Part no.
1	Hub TZ5/2	A 946 356 13 01
	Hub TE3/2	A 946 356 03 01
2	Tapered roller bearing 130mm Ø	A 012 981 40 05
3	Tapered roller bearing 150mm Ø	A 005 981 85 05
4	Pole wheel TZ5/2	A 385 542 03 17
	Pole wheel TZ3/2	A 946 334 01 15
5	Cassette seal TZ5/2	A 021 997 69 47
	Cassette seal TZ3/2	A 013 997 73 46
6	Tab washer	A 976 356 00 73
7	Grooved nut	A 976 356 00 26
8	Hub cap gasket	A 943 334 00 80
9	Hub cap	A 327 356 01 20
10	Hex. bolt M8x16	N 910 105 008 008
11	Thrust washer	A 976 356 00 52
12	Wheel bolt M22 x 1.5x80	depending on wheel version A 389 401 00 71
	Wheel bolt M22 x 1.5x110	A 381 401 07 71
	Thrust ring Ø120xØ100x21 on axle journal (not illustrated)	A 675 356 02 15
	Wheel nut (not illustrated)	A 000 401 06 72

Brake cylinder

Cylinder size	Part no.	Stroke	Manufacturer	Installation side looking in direction of travel
Piston cylinder				
16/16" (0715)	A 021 420 61 18	57 mm	WABCO	-
16/16"	A 017 420 88 18	57 mm	WABCO	left
16/16"	A 017 420 89 18	57 mm	WABCO	right
16"	A 006 420 52 24	57 mm	WABCO	-
16/24"	A 018 420 52 18	57 mm	WABCO	right
16/24"	A 018 420 53 18	57 mm	WABCO	left
20"	A 007 420 12 24	62 mm	WABCO	-
20/24"	A 018 420 55 18	64 mm	WABCO	left
20/24"	A 018 420 56 18	64 mm	WABCO	right
22"	A 007 420 13 24	62 mm	WABCO	-
24"	A 007 420 14 24	62 mm	WABCO	-
Double-membrane cylinder				
16"	A 008 420 85 24	57 mm	HALDEX	-
16/24"	A 023 420 46 18	57 mm	HALDEX	left
16/24"	A 023 420 47 18	57 mm	HALDEX	right

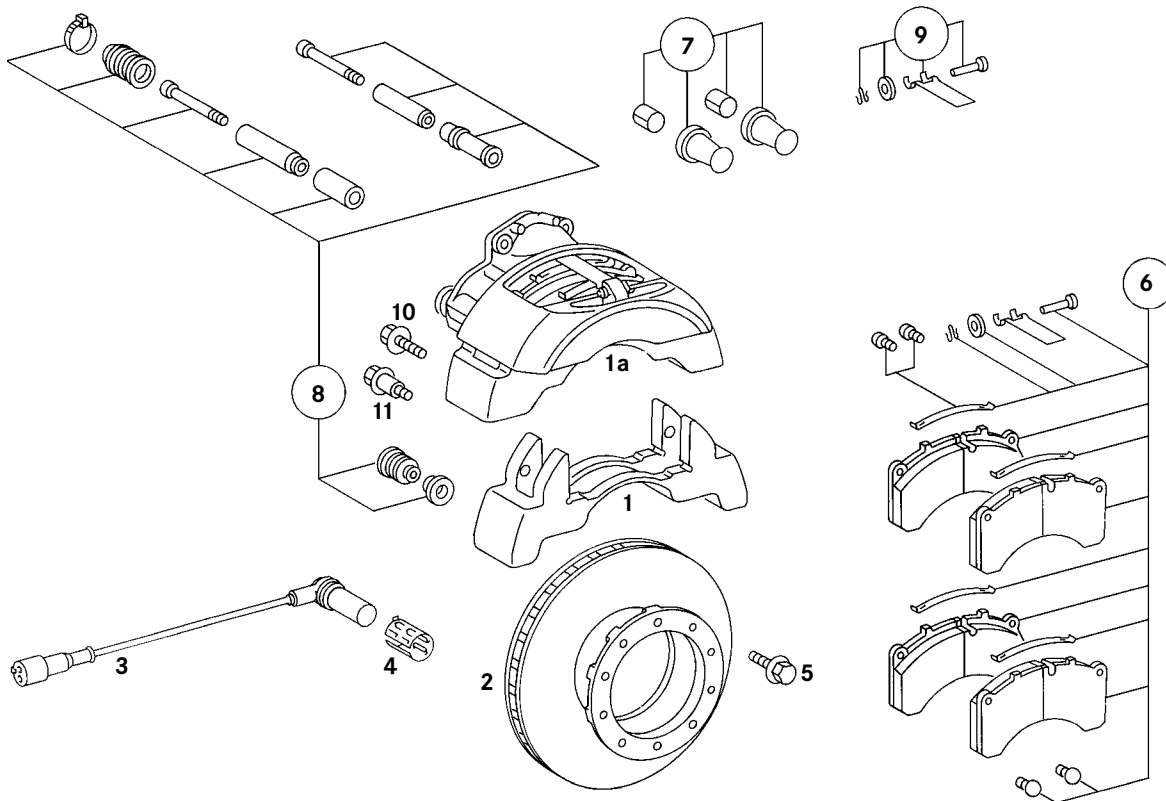
Item no.	Part description	Part no.
1	Elbow joint	A 000 420 05 66
2	Hex. nut M16x1.5-10	N 000 000 005 735

Brakes

Disc brake 22.5", manufactured by Knorr, SN7 (TDB 571)*

Disc brake 19.5", manufactured by Knorr, SN6 (TDB 637)*

Parts illustration



Brake calliper parts list Model SN7 - 22.5"

Item no.	Part description	Part no.
1	Brake carrier	A 000 421 25 06
1a	Repair solution, left actuating unit	A 004 420 25 83 80
	Repair solution, right actuating unit	A 004 420 26 83 80
2	Brake disc	A 942 423 00 12
3	ABS sensor	A 004 542 44 18
4	Bushing for sensor	A 355 542 02 73
5	Hex. bolt TE5 14x1.5x75	A 004 990 59 04
6	Brake lining set (for one axle)	A 004 420 60 20
7	Tappet & Boot set (for pistons)	A 000 420 23 82
8	Slide pin kit and guide pin	A 000 420 34 82
9	Lining bracket set	A 000 420 24 82
10	Bolt M16x1.5x60	N 000 000 005 536
11	Shoulder bolt	A 942 990 01 14
	Lining wear sensor kit (not illustrated)	A 946 542 01 18

SN7 and SK7 generation brakes are not interchangeable.

* TDB-no. see ID plate (page 5)

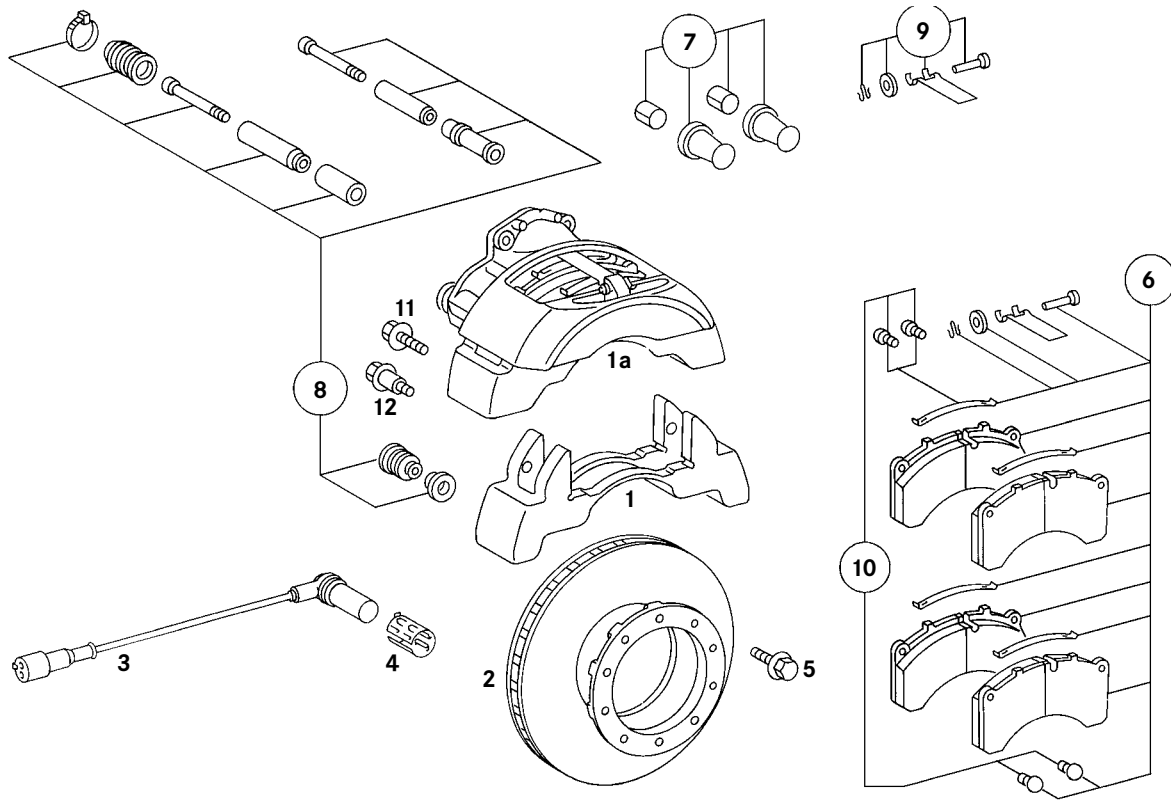
Brake calliper parts list Model SN6 - 19.5"

Item no.	Part description	Part no.
1	Brake carrier	A 000 421 20 06
1a	Repair solution, left actuating unit	A 002 420 26 01 80
	Repair solution, right actuating unit	A 002 420 27 01 80
2	Brake disc TE4/TL4	A 675 421 00 12
	Brake disc TZ3	A 975 423 06 12
3	ABS sensor	A 004 542 44 18
4	Bushing for sensor	A 355 542 02 73
5	Hex. bolt TE4 14x1.5x70	N 000 000 005 717
	Hex. bolt TZ3 14x1.5x55	N 000 000 000 110
6	Brake lining set (for one axle)	A 002 420 78 20
7	Tappet & Boot set (for pistons)	A 000 420 23 82
8	Slide pin kit and guide pin	A 000 420 46 82
9	Lining bracket set	A 000 420 25 82
10	Bolt M16x1.5x60	N 000 000 005 536
11	Shoulder bolt	A 942 990 01 14
	Lining wear sensor kit (not illustrated)	A 946 542 01 18

Brakes

Disc brake 22.5", manufactured by Knorr, SK7 (TDB 815)*

Parts illustration



Brake calliper parts list Model SK7 - 22.5"

Item no.	Part description	Part no.
1	Brake carrier	A 000 421 39 06
1a	Repair solution, left actuating unit	A 003 420 91 83 80
	Repair solution, right actuating unit	A 003 420 92 83 80
2	Brake disc	A 942 423 00 12
3	ABS sensor	A 004 542 44 18
4	Bushing for sensor	A 355 542 02 73
5	Hex. bolt TE5 14x1.5x75	A 004 990 59 04
6	Brake lining set (for one axle)	A 004 420 70 20
7	Tappet & Boot set (for pistons)	A 000 420 49 82
8	Slide pin kit and guide pin	A 000 420 50 82
9	Lining bracket set	A 000 420 25 82
10	Adjuster cap set	A 000 421 32 48
11	Bolt M16x1.5x60	N 000 000 005 536
12	Shoulder bolt	A 942 990 01 14
	Lining wear sensor kit (not illustrated)	A 946 542 01 18

SN7 and SK7 generation brakes are not interchangeable.

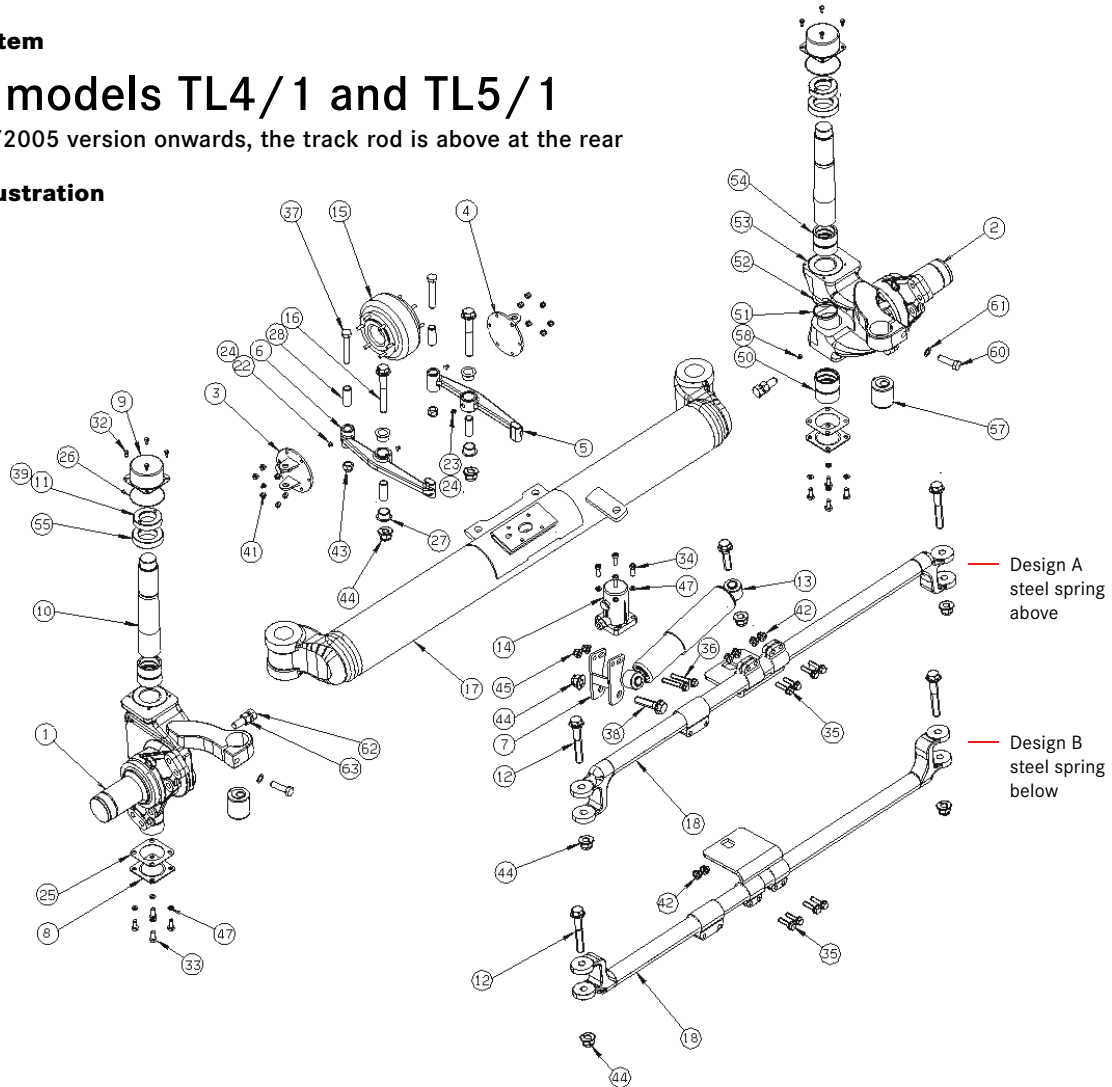
* TDB-no. see ID plate (page 5)

Axle system

Axle models TL4/1 and TL5/1

From 05/2005 version onwards, the track rod is above at the rear

Parts illustration



Parts list for TL4/1 and TL5/1

Item no.	Part description	Part no.
1	Steering knuckle, LH side without B and C	A 946 390 10 44
2	Steering knuckle, RH side without B and C	A 946 390 11 44
3	Plate (pneumatics connection)	A 946 391 00 41
4	Plate	A 946 391 01 41
7	Bracket for vibration damper	A 946 391 06 40
8	Bottom cover	A 946 391 01 20
9	Top cover	A 946 391 02 20
10	Steering knuckle bolts	A 946 393 00 74
11	Clamping nut	A 946 332 00 72
13	Vibration damper	A 946 393 00 47
14	Locking cylinder	A 946 391 00 22
15	Air spring	A 946 393 00 77
17	Axle tube, complete axle housing only	
18	Track rod, design A for wheel tracks 2040	A 946 390 08 07
	Track rod, design A for wheel tracks 2095	A 946 390 09 07
	Track rod, design A for wheel tracks 2140	A 946 390 10 07
	Track rod, design B for wheel tracks 2040	A 946 390 13 07
	Track rod, design B for wheel tracks 2095	A 946 390 14 07
	Track rod, design B for wheel tracks 2140	A 946 390 15 07
22	Lubricating nipple	A 946 997 00 88
23	Lubricating nipple	A 946 997 01 88
32	Hex. bolt M8x18	N 000 933 008 028
33	Hex. bolt M10x25	N 304 017 010 019
34	Cylinder bolt M10x30	N 000 000 001 157
35	Hex. bolt M12x65	N 304 017 012 019
36	Hex. bolt M12x90	N 910 105 012 001
38	Hex. bolt M20x100	N 000 000 005 729
39	Cylinder bolt M10x45	N 000 912 010 221

Item no.	Part description	Part no.
41	Hex. nut M8	N 000 000 003 278
42	Hex. nut M12	N 910 123 012 001
45	Hex. nut M12 with flange	N 913 023 012 002
47	Washer (for M10)	A 946 391 02 76
58	Lubricating nipple	A 946 997 00 88
60	Clamping bolt	N 000 960 016 022
61	Toothed washer	A 946 391 00 76
62	Steering stop bolt	N 000 000 005 457
63	Nut	N 304 032 020 000

Item no.	Description of repair parts	Part no.
A	Adjusting lever includes items nos. 5, 6, 16, 24, 27, 28, 37, 43, 44	A 000 390 01 27
B	Track rod adjustment includes items nos. 12, 44, 57	A 000 330 18 03
C	Axle stub bearing includes items nos. 25, 26, 50, 51, 52, 53, 54, 55	A 000 330 06 20

Supplementary maintenance work

Lubrication intervals of 6 months. No load should be placed on axle during lubrication.

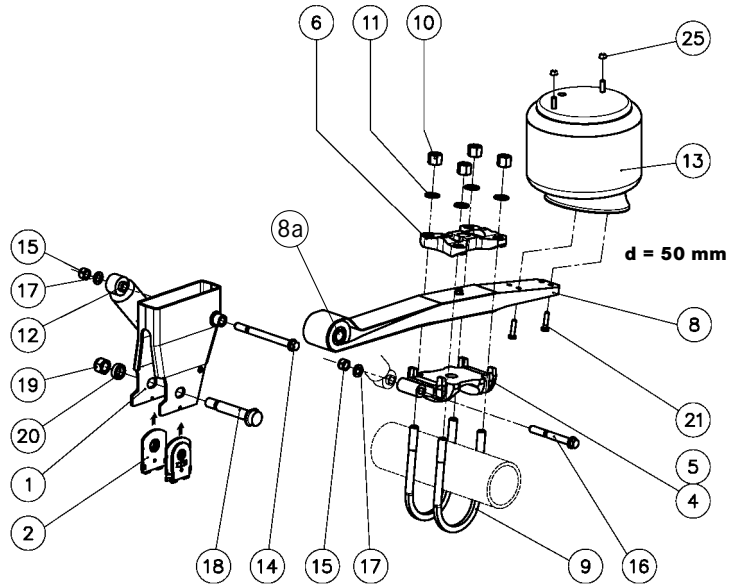
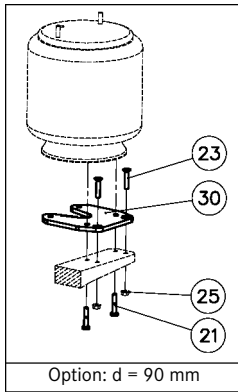
Total toe-in 2-4 mm, adjustable using the eccentric bush (see item 57 in parts illustration).

Air suspension

Ride height 450 (ride-height range 450-490)

Order code: 0700

Parts illustration



Parts list, Order code: 0700

Item no.	Part description	Part no.
1	Hanger bracket H285	A 946 320 25 78
2	Tracking /wear plate for hanger bracket	A 946 323 00 90
4	Spring seat, left overslung linkarm	Not available separately
5	Spring seat, right overslung linkarm	Not available separately
6	U-bolt plate for left and right overslung linkarms	A 946 328 28 35
8	Linkarm 1x54	A 946 350 03 06
8a	Pivot Bush	A 946 333 00 17
9	U-bolt M24	A 946 325 03 47
	2x U-bolt M22	A 946 325 06 47
10	4x Nut M22 x1,5	A 000 401 06 72
	Nut M24 x2	A 946 990 10 50
11	Washer M24	A 946 990 02 40
12	Shock absorber	A 946 326 02 00
13	Air spring Ø 360 L	A 946 328 15 01
14	Bolt M20x2x240	A 946 990 17 01
15	Nut M20x2	A 946 990 00 51
16	Bolt M20x2x175	A 946 990 16 01
17	Washer M20	N 000 000 002 968
18	Pivot bolt M27 x186	A 946 990 00 14
19	Pivot nut M27	A 946 990 01 51
20	Pivot washer Ø30/Ø46 x14	A 946 990 08 40
25	Nut M12x1.75	A 946 990 02 50

Item no.	Part description	Part no.
90 mm offset:		
21	Bolt M12x60	N 304 017 012 003
23	Countersunk Allen bolt M12x60	A 946 990 07 01
25	Nut M12x1.75	A 946 990 02 50
30	90mm offset plate for air spring	A 946 328 26 35
50 mm offset:		
21	Bolt M12x50	N 304 017 012 018

* U-Bolt kit M22 replaces M24 design. Item 11 no longer required.

Note:
Tightening torques can be found on page 49.

Parts list, Order code: 0701

Item no.	Part description	Part no.
1	Hanger bracket H230	A 946 320 31 78
2	Tracking/wear plate for hanger bracket	A 946 323 00 90
4	Spring seat, left overslung linkarm	nicht sep. lieferbar
5	Spring seat, right overslung linkarm	nicht sep. lieferbar
6	U-bolt plate for left and right overslung linkarms	A 946 328 28 35
8	Linkarm 1x54	A 946 350 03 06
8a	Pivot Bush	A 946 333 00 17
9	U-bolt M24	A 946 325 03 47
	2x U-bolt M22	A 946 325 06 47
10	4x Nut M22 x1,5	A 000 401 06 72
	Nut M24 x2	A 946 990 10 50
11	Washer M24	A 946 990 02 40
12	Shock absorber	A 946 326 02 00
13	Air spring Ø360 K	A 946 328 19 01
14	Bolt M20x2x240	A 946 990 17 01
15	Nut M20x2	A 946 990 00 51
16	Bolt M20x2x175	A 946 990 16 01
17	Washer M20	N 000 000 002 968
18	Pivot bolt M27x186	A 946 990 00 14
19	Pivot nut M27	A 946 990 01 51
20	Pivot washer Ø30/Ø46x14	A 946 990 08 40
25	Nut M12x1.75	A 946 990 02 50

Item no.	Part description	Part no.
90 mm offset:		
21	Hex. bolt M12x60	N 304 017 012 003
23	Countersunk Allen bolt M12x60	A 946 990 07 01
25	Nut M12x1.75	A 946 990 02 50
30	90mm offset plate for air spring	A 946 328 26 35
50 mm offset:		
21	Hex. bolt M12x60	N 304 017 012 003
22	Hex. bolt M12x30	A 946 990 01 01
24	Lock washer M1/2"	A 946 990 00 47
30	50mm offset plate for air spring	A 946 328 25 35

*U-Bolt kit M22 replaces M24 design. Item 11 no longer required.

Note:
Tightening torques can be found on page 49.

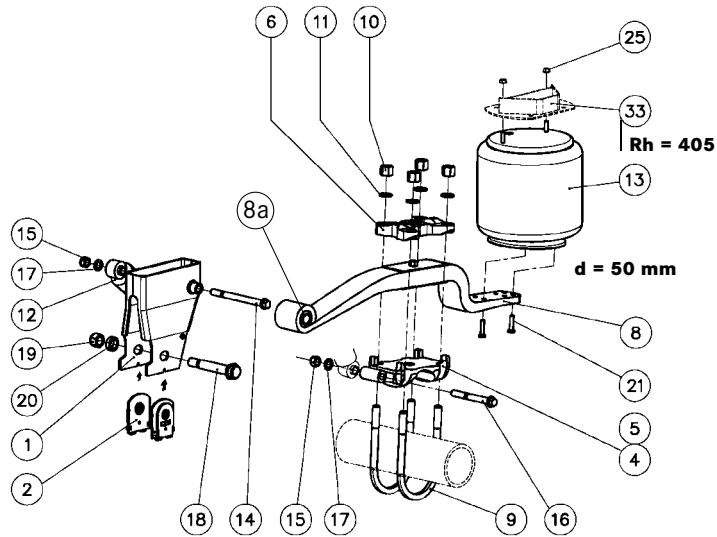
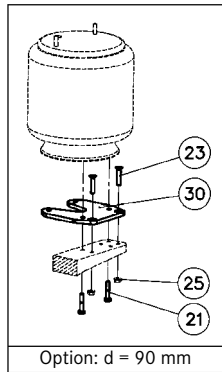
Air suspension

a. Ride height 355 (ride-height range 325-370)

b. Ride height 405 (ride-height range 375-420)

Order code: 0702

Parts illustration



Parts list, Order code: 0702

Item no.	Part description	Part no.
1 a.	Hanger bracket H280	A 946 320 33 78
1 b.	Hanger bracket H335	A 946 320 36 78
2	Tracking/wear plate for hanger bracket	A 946 323 00 90
4	Spring seat, left overslung linkarm	Not available separately
5	Spring seat, right overslung linkarm	Not available separately
6	U-bolt plate for left and right overslung linkarms	A 946 328 28 35
8	Linkarm 1x54	A 946 350 13 06
8a	Pivot Bush	A 946 333 00 17
9	U-bolt M24	A 946 325 03 47
	2x U-bolt M22	A 946 325 06 47
10	4x Nut M22 x1,5	A 000 401 06 72
	Nut M24 x2	A 946 990 10 50
11	Washer M24	A 946 990 02 40
12	Shock absorber	A 946 326 03 00
13	Air spring Ø360 L	A 946 328 15 01
14	Bolt M20x2x240	A 946 990 17 01
15	Nut M20x2	A 946 990 00 51
16	Bolt M20x2x175	A 946 990 16 01
17	Washer M20	N 000 000 002 968
18	Pivot bolt M27x186	A 946 990 00 14
19	Pivot nut M27	A 946 990 01 51
20	Pivot washer Ø30/Ø46x14	A 946 990 08 40
25	Nut M12x1.75	A 946 990 02 50
33 b.	Air spring bracket C=50mm	A 946 320 03 35

Item no.	Part description	Part no.
90 mm offset:		
21	Hex. bolt M12x60	N 304 017 012 003
23	Countersunk Allen bolt M12x60	A 946 990 07 01
25	Nut M12x1.75	A 946 990 02 50
30	90mm offset plate for air spring	A 946 328 26 35
50 mm offset:		
21	Hex. bolt M12x50	N 304 017 012 018

*U-Bolt kit M22 replaces M24 design. Item 11 no longer required.

Note:
Tightening torques can be found on page 49.

Parts list, Order code: 0710

Item no.	Part description	Part no.
1	Hanger bracket H335	A 946 320 27 78
2	Tracking/wear plate for hanger bracket	A 946 323 00 90
4	Spring seat	Not available separately
6	Ext.U-bolt plate for undersl. LH susp. linka.	A 946 328 31 35
7	Ext.U-bolt plate for undersl. RH susp. linka.	A 946 328 32 35
8	Linkarm 1x54	A 946 350 04 06
8a	Pivot Bush	A 946 333 00 17
9	U-bolt M24	A 946 325 03 47
	2x U-bolt M22	A 946 325 06 47
10	4x Nut M22 x1,5	A 000 401 06 72
	Nut M24 x2	A 946 990 10 50
11	Washer M24	A 946 990 02 40
12	Shock absorber	A 946 326 03 00
13	Air spring Ø360 L	A 946 328 15 01
14	Bolt M20x2x240	A 946 990 17 01
15	Nut M20x2	A 946 990 00 51
16	Bolt M20x2x175	A 946 990 16 01
17	Washer M20	N 000 000 002 968
18	Pivot bolt M27x186	A 946 990 00 14
19	Pivot nut M27	A 946 990 01 51
20	Pivot washer Ø30/Ø46x14	A 946 990 08 40
25	Nut M12x1.75	A 946 990 02 50
33 b.	Air spring bracket C=50mm	A 946 320 03 35

Item no.	Part description	Part no.
90 mm offset:		
21	Hex. bolt M12x60	N 304 017 012 003
23	Countersunk Allen bolt M12x60	A 946 990 07 01
25	Nut M12x1.75	A 946 990 02 50
30	90mm offset plate for air spring	A 946 328 26 35
50 mm offset:		
21	Hex. bolt M12x50	N 304 017 012 018

*U-Bolt kit M22 replaces M24 design. Item 11 no longer required.

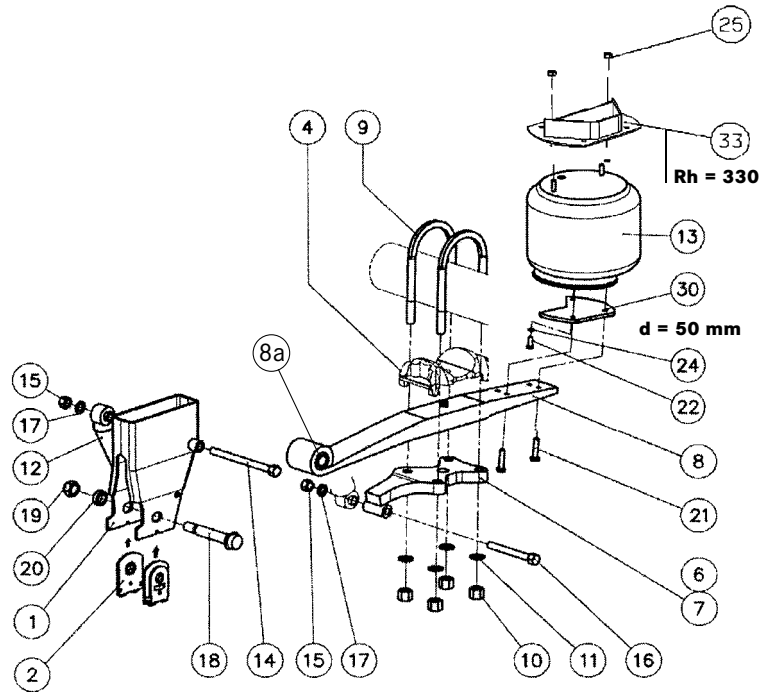
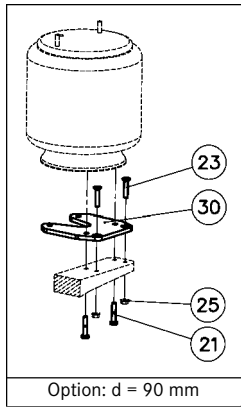
Note:
Tightening torques can be found on page 49.

Air suspension

Ride height 330 (ride-height range 310-350)

Order code: 0711

Parts illustration



Parts list, Order code: 0711

Item no.	Part description	Part no.
1	Hanger bracket H335	A 946 320 27 78
2	Tracking/wear plate for hanger bracket	A 946 323 00 90
4	Spring seat	Not available separately
6	Ext.U-bolt plate for undersl. LH susp. linka.	A 946 328 31 35
7	Ext.U-bolt plate for undersl. RH susp. linka.	A 946 328 32 35
8	Linkarm 1x54	A 946 350 04 06
8a	Pivot Bush	A 946 333 00 17
9	U-bolt M24	A 946 325 03 47
	2x U-bolt M22	A 946 325 06 47
10	4x Nut M22 x1,5	A 000 401 06 72
	Nut M24 x2	A 946 990 10 50
11	Washer M24	A 946 990 02 40
12	Shock absorber	A 946 326 03 00
13	Air spring Ø360 K	A 946 328 19 01
14	Bolt M20x2x240	A 946 990 17 01
15	Nut M20x2	A 946 990 00 51
16	Bolt M20x2x175	A 946 990 16 01
17	Washer M20	N 000 000 002 968
18	Pivot bolt M27x186	A 946 990 00 14
19	Pivot nut, M27	A 946 990 01 51
20	Pivot washer Ø30/Ø46x14	A 946 990 08 40
25	Nut M12x1.75	A 946 990 02 50
33	Air spring bracket C=150mm	A 946 320 08 35

Item no.	Part description	Part no.
90 mm offset:		
21	Hex. bolt M12x60	N 304 017 012 003
23	Countersunk Allen bolt M12x60	A 946 990 07 01
25	Nut M12x1.75	A 946 990 02 50
30	90mm offset plate for air spring	A 946 328 26 35
50 mm offset:		
21	Hex. bolt M12x60	N 304 017 012 003
22	Hex. bolt M12x30	A 946 990 01 01
24	Lock washer M1/2"	A 946 990 00 47
30	50mm offset plate for air spring	A 946 328 25 35

*U-Bolt kit M22 replaces M24 design. Item 11 no longer required.

Note:
Tightening torques can be found on page 49.

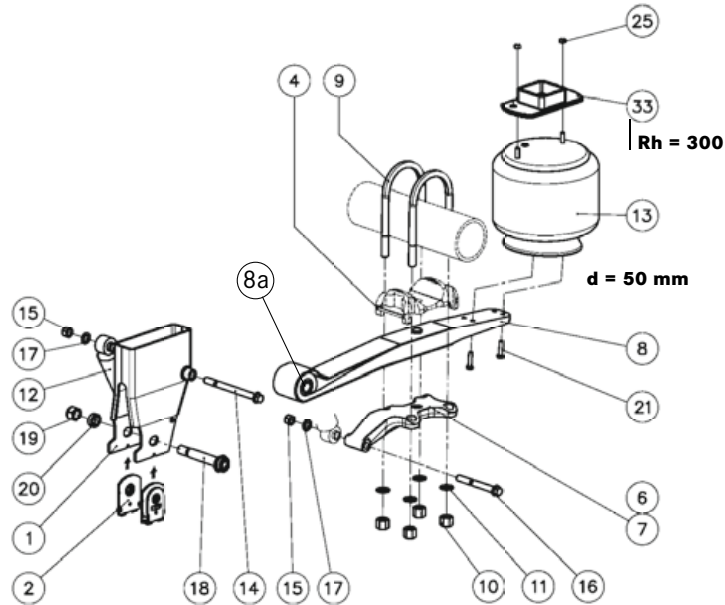
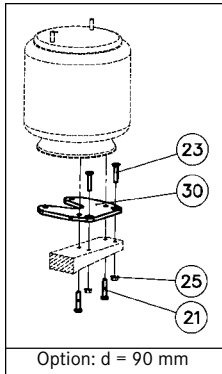
Air suspension

a. Ride height 250 (ride-height range 210-260)

b. Ride height 300 (ride-height range 245-300)

Order code: 0715

Parts illustration



Parts list, Order code: 0715

Item no.	Part description	Part no.
1 a.	Hanger bracket H255	A 946 320 64 78
1 b.	Hanger bracket H280	A 946 320 33 78
2	Tracking/wear plate for hanger bracket	A 946 323 00 90
4	Spring seat	Not available separately
6	Ext. U-bolt plate for undersl. LH susp. linka.	A 946 328 31 35
7	Ext. U-bolt plate for undersl. RH susp. linka.	A 946 328 32 35
8	Linkarm 1x54	A 946 350 14 06
8a	Pivot Bush	A 946 333 00 17
9	U-bolt M24	A 946 325 03 47
	2x U-bolt M22	A 946 325 06 47
10	4x Nut M22 x1,5	A 000 401 06 72
	Nut M24 x 2	A 946 990 10 50
11	Washer M24	A 946 990 02 40
12	Shock absorber	A 946 326 08 00
13	Air spring Ø 360 L	A 946 328 15 01
14	Bolt M20x2x240	A 946 990 17 01
15	Nut M20x2	A 946 990 00 51
16	Bolt M20x2x175	A 946 990 16 01
17	Washer M20	N 000 000 002 968
18	Pivot bolt M27x186	A 946 990 00 14
19	Pivot nut M27	A 946 990 01 51
20	Pivot washer Ø30/Ø46x14	A 946 990 08 40
25	Nut M12x1.75	A 946 990 02 50
33 b.	Air spring bracket C=50mm	A 946 320 03 35

Item no.	Part description	Part no.
90 mm offset:		
21	Hex. bolt M12x60	N 304 017 012 003
23	Countersunk Allen bolt M12x60	A 946 990 07 01
25	Nut M12x1.75	A 946 990 02 50
30	90mm offset plate for air spring	A 946 328 26 35
50 mm offset:		
21	Hex. bolt M12x50	N 304 017 012 018

*U-Bolt kit M22 replaces M24 design. Item 11 no longer required.

Note:
Tightening torques can be found on page 49.

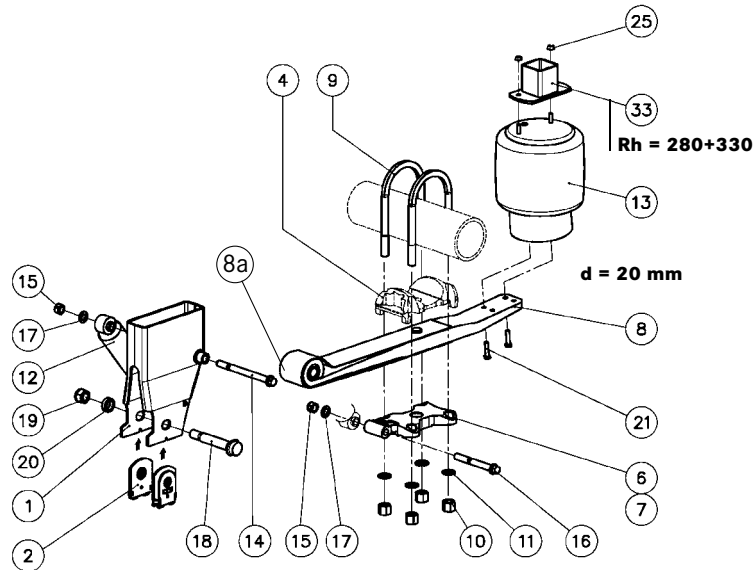
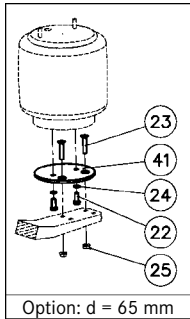
Air suspension

a. Ride height 280 (ride-height range 280-305)

b. Ride height 330 (ride-height range 305-355)

Order code: 0720

Parts illustration



Parts list, Order code: 0720

Item no.	Part description	Part no.	
1	Hanger bracket H335	A 946 320 27 78	
2	Tracking/wear plate for hanger bracket	A 946 323 00 90	
4	Spring seat	Not available separately	
6	Ext. U-bolt plate for oversl. LH susp. linka.	A 946 328 29 35	
7	Ext. U-bolt plate for undersl. RH susp. linka.	A 946 328 30 35	
8	Linkarm 1x48	A 946 350 02 06	
8a	Pivot Bush	A 946 333 00 17	
9	U-bolt M24	A 946 325 03 47	* A 000 325 00 47
	2 x U-bolt M22	A 946 325 06 47	
10	4 x Nut M22 x1,5	A 000 401 06 72	* A 000 325 00 47
	Nut M24 x 2	A 946 990 10 50	
11	Washer M24	A 946 990 02 40	*
12	Shock absorber	A 946 326 03 00	
13	Air spring Ø 300	A 946 328 14 01	
14	Bolt M20x2x240	A 946 990 17 01	
15	Nut M20x2	A 946 990 00 51	
16	Bolt M20x2x175	A 946 990 16 01	
17	Washer M20	N 000 000 002 968	
18	Pivot bolt M27x186	A 946 990 00 14	
19	Pivot nut M27	A 946 990 01 51	
20	Pivot washer Ø30/Ø46x14	A 946 990 08 40	
25	Nut M12x1.75	A 946 990 02 50	
33 a.	Air spring bracket C=50mm	A 946 320 03 35	
33 b.	Air spring bracket C=100mm	A 946 320 06 35	

Item no.	Part description	Part no.
20 mm offset (standard):		
21	Hex. bolt M12x50	N 304 017 012 018
65 mm offset:		
22	Hex. bolt M12x30	A 946 990 01 01
23	Countersunk Allen bolt M12x60	A 946 990 07 01
25	Lock washer M1/2"	A 946 990 00 47
25	Nut M12x1.75	A 946 990 02 50
41	65mm offset plate	A 946 328 27 35

*U-Bolt kit M22 replaces M24 design. Item 11 no longer required.

Note:
Tightening torques can be found on page 49.

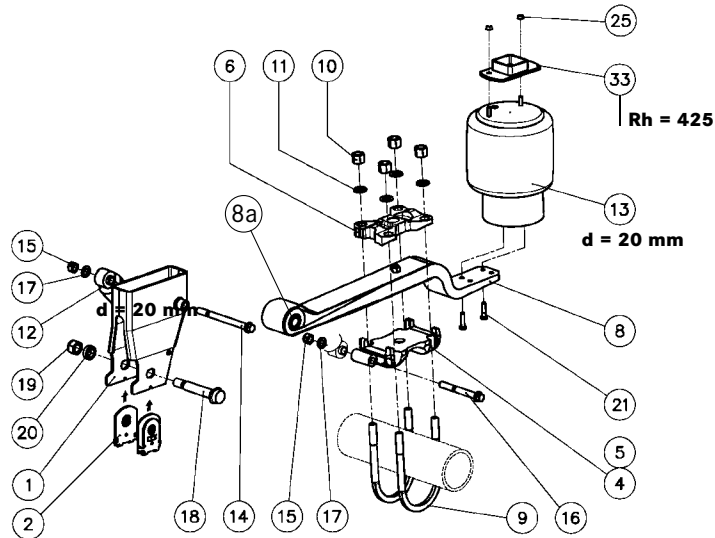
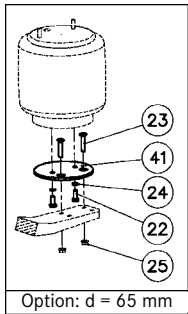
Air suspension

a. Ride height 375 (ride-height range 350-400)

b. Ride height 425 (ride-height range 400-450)

Order code: 0730

Parts illustration



Parts list, Order code: 0730

Item no.	Part description	Part no.
1 a.	Hanger bracket H230	A 946 320 31 78
1 b.	Hanger bracket H280	A 946 320 33 78
2	Tracking/wear plate for hanger bracket	A 946 323 00 90
4	Spring seat for oversl. LH susp. linka.	Not available separately
5	Spring seat for oversl. RH susp. linka.	Not available separately
6	U-bolt plate for oversl. LH/RH susp. linka.	A 946 328 28 35
8	Linkarm 1x48mm	A 946 350 01 06
8a	Pivot Bush	A 946 333 00 17
9	U-bolt M24	A 946 325 03 47
	2 x U-bolt M22	A 946 325 06 47
	4 x Nut M22 x1,5	A 000 401 06 72
10	Nut M24 x2	A 946 990 10 50
	Washer M24	A 946 990 02 40
11	Washer M24	A 946 990 02 40
12	Shock absorber	A 946 326 03 00
13	Air spring Ø300	A 946 328 14 01
14	Bolt M20x2x240	A 946 990 17 01
15	Nut M20x2	A 946 990 00 51
16	Bolt M20x2x175	A 946 990 16 01
17	Washer M20	N 000 000 002 968
18	Pivot bolt M27x186	A 946 990 00 14
19	Pivot nut M27	A 946 990 01 51
20	Pivot washer Ø 30 / Ø 46 x 14	A 946 990 08 40
25	Nut M12x1.75	A 946 990 02 50
33 b.	Air spring bracket C=50mm	A 946 320 03 35

Item no.	Part description	Part no.
20 mm offset (standard):		
21	Hex. bolt M12x50	N 304 017 012 018
65 mm offset:		
22	Hex. bolt M12x30	A 946 990 01 01
23	Countersunk Allen bolt M12x60	A 946 990 07 01
25	Lock washer M1/2"	A 946 990 00 47
25	Nut M12x1.75	A 946 990 02 50
41	65mm offset plate	A 946 328 27 35

*U-Bolt kit M22 replaces M24 design. Item 11 no longer required.

Note:

Tightening torques can be found on page 49.

Air suspension

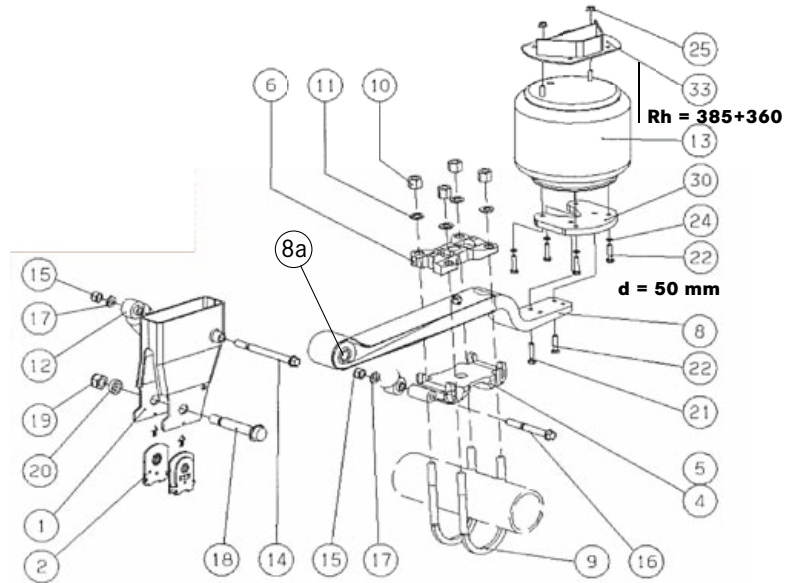
a. Ride height 385 (ride-height range 385-450)

b. Ride height 335 (ride-height range 335-400)

c. Ride height 360 (ride-height range 360-410)

Order code: 0731

Parts illustration



Parts list, Order code: 0731

Item no.	Part description	Part no.
1 a.	Hanger bracket H280	A 946 320 33 78
1 b.	Hanger bracket H230	A 946 320 31 78
1 c.	Hanger bracket H230	A 946 320 31 78
2	Tracking/wear plate for hanger bracket	A 946 323 00 90
4	Spring seat for left overslung linkarm	Not available separately
5	Spring seat for right overslung linkarm	Not available separately
6	U-bolt plate for left and right overslung linkarms	A 946 328 28 35
8	Linkarm 1x48 mm	A 946 350 01 06
8a	Pivot Bush	A 946 333 00 17
9	U-bolt M24	A 946 325 03 47
10	2x U-bolt M22	A 946 325 06 47
	4x Nut M22 x1,5	A 000 401 06 72
	Nut M24 x2	A 946 990 10 50
11	Washer M24	A 946 990 02 40
12	Shock absorber	A 946 326 03 00
13	Air spring Ø360 K	A 946 328 19 01
14	Bolt M20x2x240	A 946 990 17 01
15	Nut M20x2	A 946 990 00 51
16	Bolt M20x2x175	A 946 990 16 01
17	Washer M20	N 000 000 002 968
18	Pivot bolt M27x186	A 946 990 00 14
19	Pivot nut M27	A 946 990 01 51
20	Pivot washer Ø30/Ø46x14	A 946 990 08 40
21	Hex. bolt M12x50	N 304 017 012 018
22	Hex. bolt M12x30	A 946 990 01 01
24	Lock washer M1/2"	A 946 990 00 47
25	Nut M12x1.75	A 946 990 02 50

Item no.	Part description	Part no.
30	50mm offset plate for air spring	A 946 328 25 35
33 a.	Air spring bracket C=50mm	A 946 320 03 35
33 c.	Air spring bracket C=50mm	A 946 320 03 35

* U-Bolt kit M22 replaces M24 design. Item 11 no longer required.

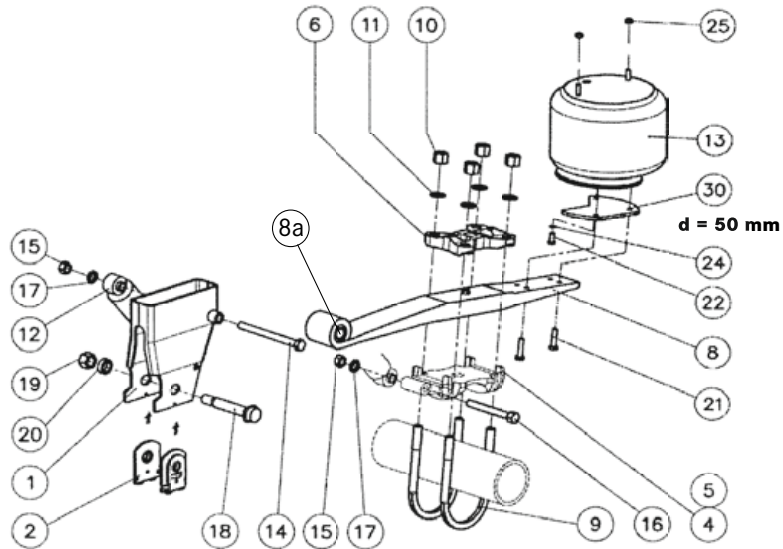
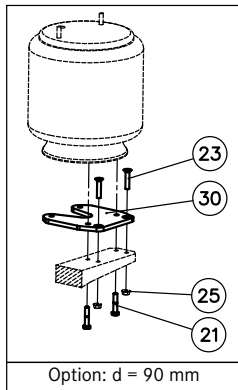
Note:
Tightening torques can be found on page 49.

Air suspension

Ride height 410 (ride-height range 410-450)

Order code: 0780

Parts illustration



Parts list, Order code: 0780

Item no.	Part description	Part no.
1	Hanger bracket H285	A 946 320 25 78
2	Tracking/wear plate for hanger bracket	A 946 323 00 90
4	Spring seat for left overslung linkarm	Not available separately
5	Spring seat for right overslung linkarm	Not available separately
6	U-bolt plate for oversl. LH/RH linka.	A 946 328 28 35
8	Linkarm 1x54	A 946 350 03 06
8a	Pivot Bush	A 946 333 00 17
9	U-bolt M24	A 946 325 03 47
	2 x U-bolt M22	A 946 325 06 47
10	4 x Nut M22 x1,5	A 000 401 06 72
	Nut M24 x2	A 946 990 10 50
11	Washer M24	A 946 990 02 40
12	Shock absorber	A 946 326 03 00
13	Air spring Ø360 K	A 946 328 19 01
14	Bolt M20x2x240	A 946 990 17 01
15	Nut M20x2	A 946 990 00 51
16	Bolt M20x2x175	A 946 990 16 01
17	Washer M20	N 000 000 002 968
18	Pivot bolt M27x186	A 946 990 00 14
19	Pivot nut M27	A 946 990 01 51
20	Pivot washer Ø30/Ø46x14	A 946 990 08 40
25	Nut M12x1.75	A 946 990 02 50

Item no.	Part description	Part no.
90 mm offset:		
21	Hex. bolt M12x60	N 304 017 012 003
23	Countersunk Allen bolt M12x60	A 946 990 07 01
25	Nut M12x1.75	A 946 990 02 50
30	90mm offset plate for air spring	A 946 328 26 35
50 mm offset:		
21	Hex. bolt M12x60	N 304 017 012 003
22	Hex. bolt M12x30	A 946 990 01 01
24	Lock washer M1/2"	A 946 990 00 47
30	50mm offset plate for air spring	A 946 328 25 35

*U-Bolt kit M22 replaces M24 design. Item 11 no longer required.

Note:
Tightening torques can be found on page 49.

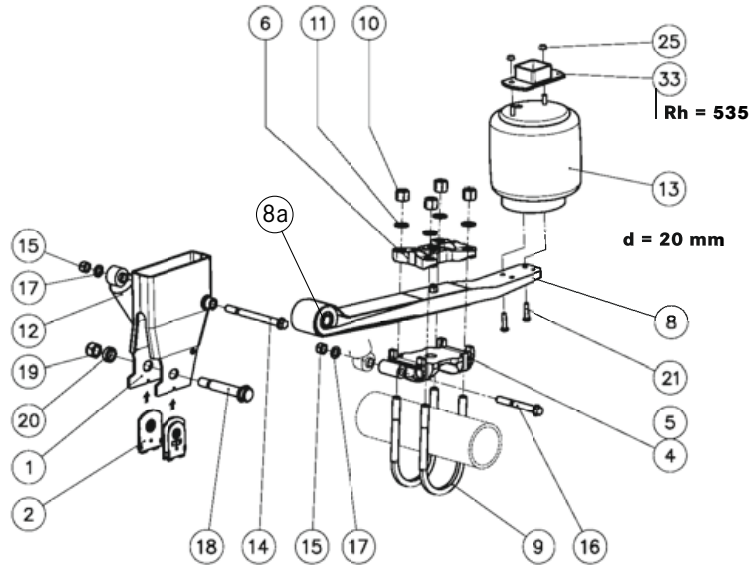
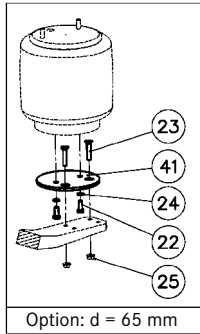
Air suspension

a. Ride height 485 (ride-height range 450-520)

b. Ride height 535 (ride-height range 500-570)

Order code: 0795

Parts illustration



Parts list, Order code: 0795

Item no.	Part description	Part no.
1 a.	Hanger bracket H285	A 946 320 25 78
1 b.	Hanger bracket H335	A 946 320 27 78
2	Tracking/wear plate for hanger bracket	A 946 323 00 90
4	Spring seat	Not available separately
6	U-bolt plate for oversl. LH/RH linka.	A 946 328 28 35
8	Linkarm 1x48mm	A 946 350 11 06
8a	Pivot Bush	A 946 333 00 17
9	U-bolt M24	A 946 325 03 47
	2x U-bolt M22	A 946 325 06 47
10	4x Nut M22x1,5	A 000 401 06 72
	Nut M24x2	A 946 990 10 50
		A 000 325 00 47
11	Washer M24	A 946 990 02 40
12	Stossdämpfer	A 946 326 03 00
13	Luftbalg Ø300	A 946 328 14 01
14	Schraube M20x2x240	A 946 990 17 01
15	Mutter M20x2	A 946 990 00 51
16	Schraube M20x2x175	A 946 990 16 01
17	Scheibe M20	N 000 000 002 968
18	Federlagerbolzen M27x186	A 946 990 00 14
19	Federlager-Mutter M27	A 946 990 01 51
20	Federlager-Scheibe Ø30/Ø46x14	A 946 990 08 40
25	Mutter M12x1,75	A 946 990 02 50
33 b.	Konsole Luftbalg C=50mm	A 946 320 03 35

Item no.	Part description	Part no.
20 mm offset:		
21	Hex. bolt M12x50	N 304 017 012 018
65 mm offset:		
22	Hex. bolt M12x30	A 946 990 01 01
23	Countersunk Allen bolt M12x60	A 946 990 07 01
25	Lock washer M1/2"	A 946 990 00 47
25	Nut M12x1.75	A 946 990 02 50
41	65mm offset plate	A 946 328 27 35

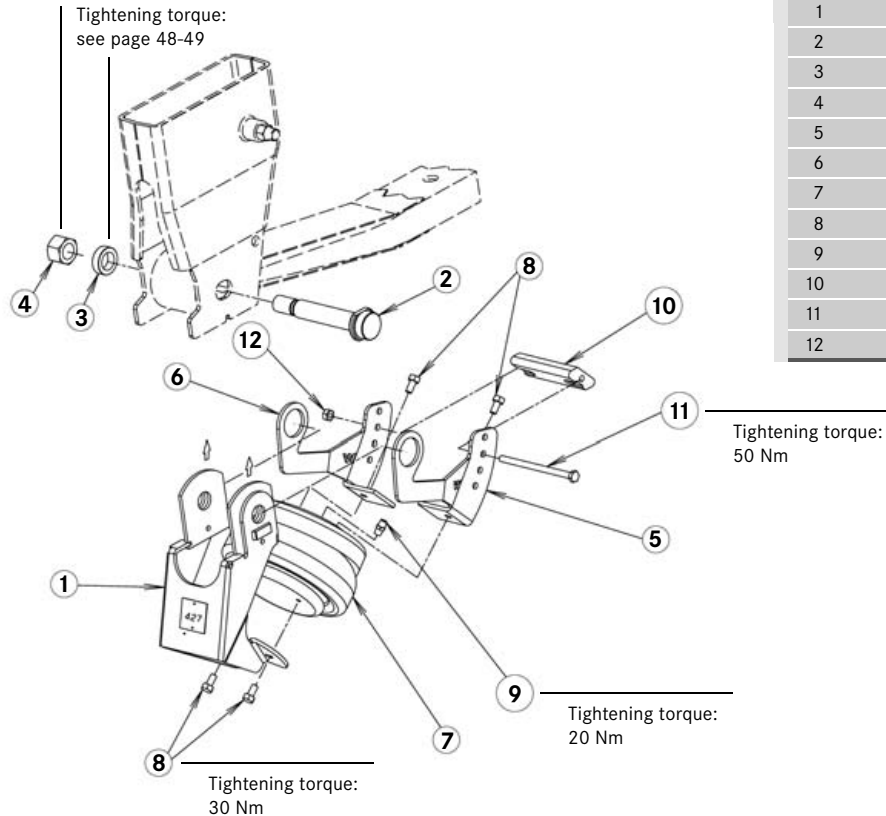
*U-Bolt kit M22 replaces M24 design. Item 11 no longer required.

Note:
Tightening torques can be found on page 49.

Dual-side lift DLS, "bolt on" version

OEM-No.: A 946 390 11 70

Parts illustration



Parts list

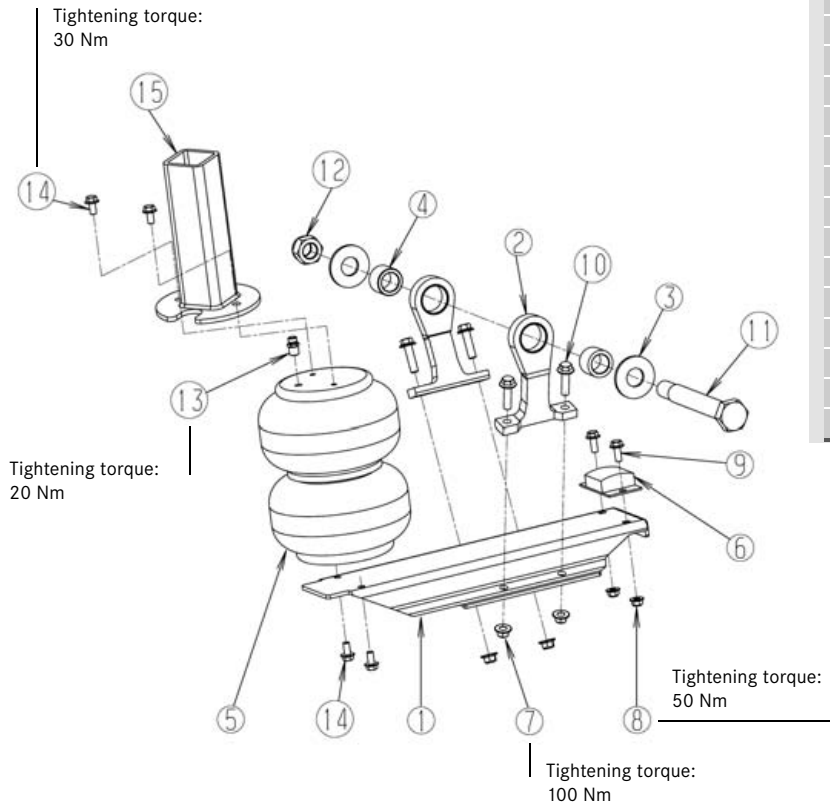
Item no.	Part description	Part no.
1	Air spring support cradle	A 946 328 20 40
2	Pivot bolt M27x186	A 946 990 00 14
3	Pivot washer Ø30/Ø46x14	A 946 990 08 40
4	Pivot nut M27	A 946 990 01 51
5	Air spring fixing bracket top, left	A 946 328 21 40
6	Air spring fixing bracket top, right	A 946 328 22 40
7	Lift air spring	A 946 328 16 01
8	Hex. bolt M10x20-8.8	A 946 990 08 01
9	Adaptor 1/4" auf M14x1.5	A 946 328 02 64
10	Rubber stop	A 946 325 00 44
11	Hex. bolt M10x160-8.8	A 946 990 02 01
12	Nut M10x1.5	A 946 990 09 50

Lift system

Dual-side lift DLS, "pivoted" version

OEM-No.: A 946 390 10 70

Parts illustration



Parts list

Item no.	Part description	Part no.
1	Axle lift arm	A 946 350 15 06
2	Lift arm bracket	incl. items 7, 10
3	Washer Ø31/70, thickness 5 mm	A 946 328 01 50
4	Washer Ø31/45, thickness 32.5 mm	A 946 328 02 50
5	Lift air spring	A 946 328 21 01
6	Rubber stop	A 946 325 01 44
7	Nut M12M12x1.5-10.9	N 913 023 012 002
8	Nut M10-10.9	N 913 023 010 002
9	Hex. bolt M10x25-10.9	N 910 105 010 009
10	Hex. bolt M12x1.5x45-10.9	N 910 105 012 015
11	Pivot bolt M27x240	A 946 328 00 74
12	Pivot nut M27	A 946 990 01 51
13	Adaptor G 1/4" to M14x1.5	A 946 997 00 76
14	Hex. bolt M10x20-10.9	N 910 105 010 006
15	Air spring bracket, H=265 mm	A 946 328 69 35

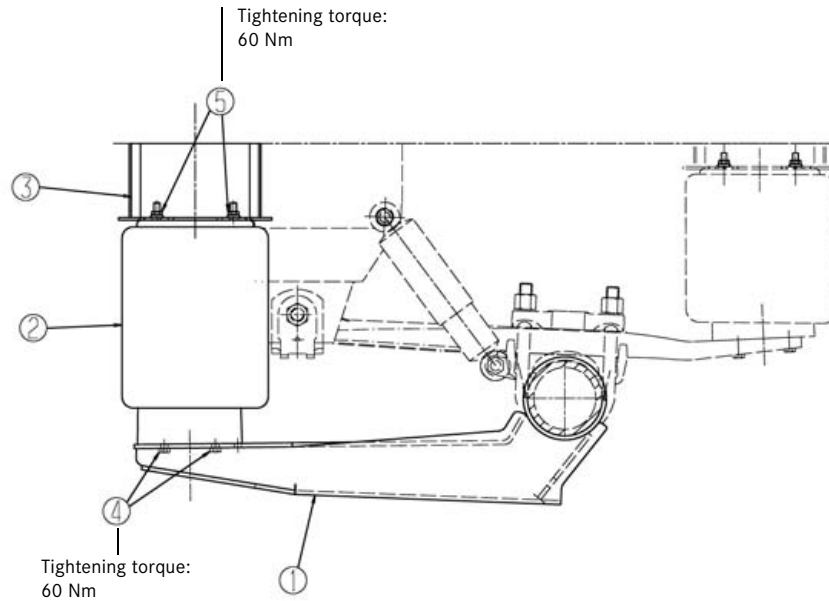
Centre lift DLS

OEM-No.: A 946 390 24 70

Parts illustration

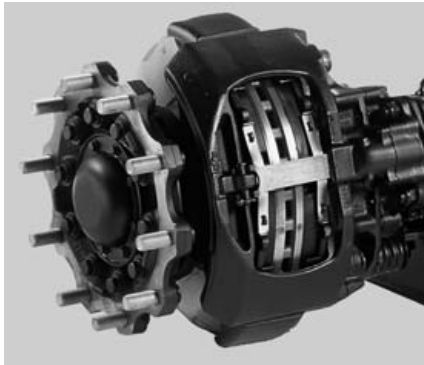
Parts list

Pos.-Nr.	Part description	Part no.
1	Lift arm	A 946 350 08 06
2	Lift air spring	A 946 328 14 01
3	Air spring bracket	A 946 320 18 35
4	Hex. bolt M12x30-10.9	N 910 105 012 024
5	Hex. nut M12-10.9	A 946 990 02 50



Tightening torques

Conventional bearing system



Wheel nut
Brake disc on hub
Brake cylinder mounting
Brake calliper mounting

Initial torque Axle nut 240 Nm whilst turning the turn wheel hub through one rotation

Bearing play Set to 0.02-0.04 mm

TZ5/2
TZ3/2 { Tighten counter-nut to 380 Nm, and secure with tab washer

Hub cap Bolted, M8 43 Nm

Compact bearing



M22 x 1.5 600 Nm
M14 x 1.5 190 Nm
M16 x 1.5 180 Nm
M16 x 1.5 260 Nm

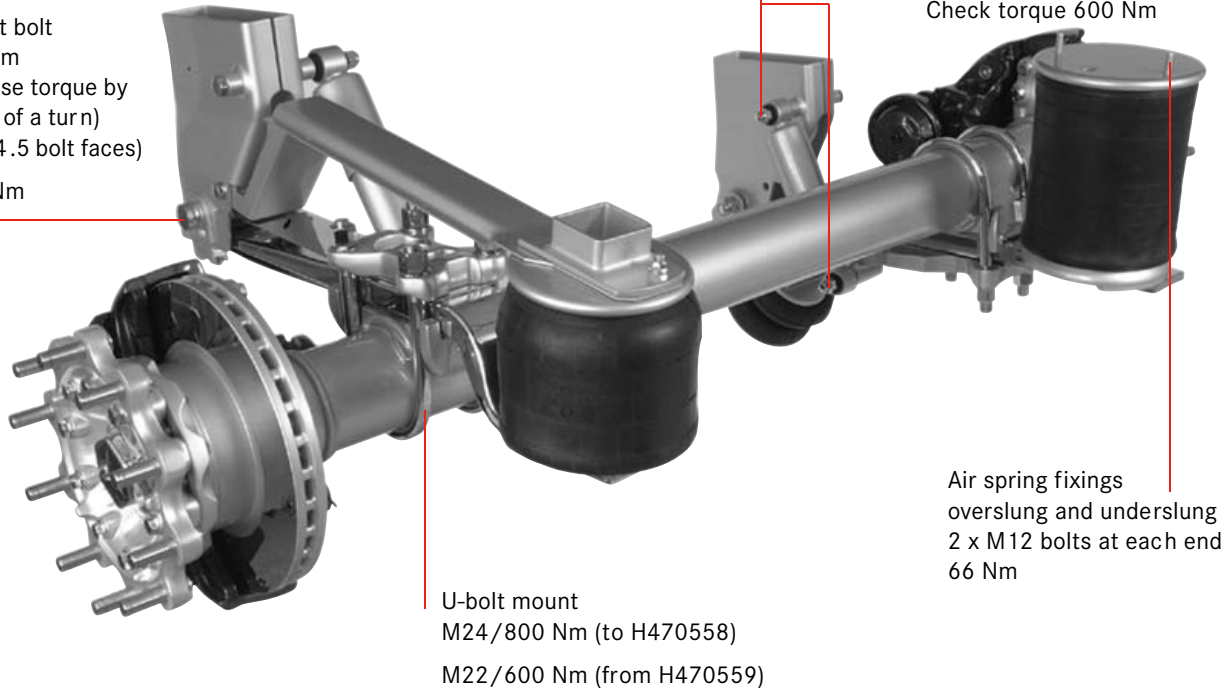
Final torque Axle nut (hex. collar nut M80x1.5) 800 Nm

Bearing play Bearing play not adjustable

Hub cap Press-fit hub cap

Tightening torques

Hanger bracket pivot bolt
Initial torque: 250 Nm
Final torque: Increase torque by
a further 270° (3/4 of a turn)
rotation of the nut (4.5 bolt faces)
Check torque 800 Nm



Tolerance $\pm 3\%$

Technical information

Axle tracking

Tighten the hanger bracket pivot bolt nut at the correct **ride height**.

A brush stroke of multipurpose grease can be applied to the threaded bolt and washer to aid assembly.

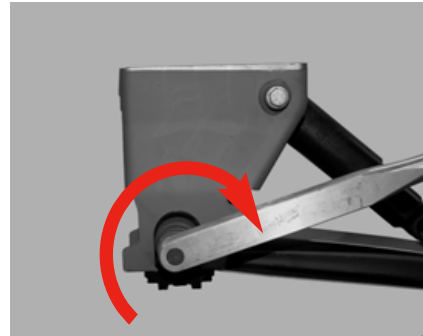
1. Initial tightening torque

Tighten pivot nut to **250 Nm** with torque wrench.



2. Final torque with angle of rotation

Continue to turn nut by **270°** (4.5 bolt faces). When tightened correctly, retightening is not required on steel hanger brackets.



Caution:

To check nut for correct torque: If torque setting is correct this will be tightened to 800 Nm. If the nut continues to rotate below the torque setting, the bolt and nut need to be replaced immediately and tightened using the torque/angle settings (see point 1 and 2).

When repainting components, observe the manufacturer's guidelines and mask the appropriate bolt connection areas.

Inspections and maintenance

Before starting every trip

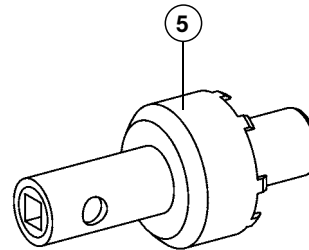
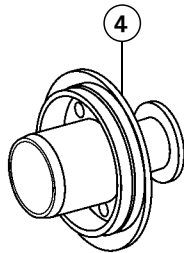
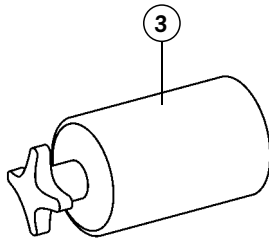
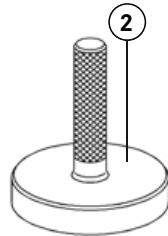
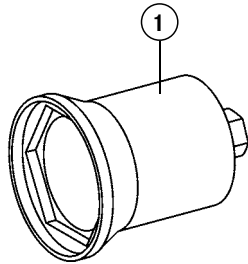
- Ensure that the compressed-air reservoirs for the braking system and air suspension are up to full operating pressure.
- Check air springs for creasing or signs of damage.

After the first two weeks, then at least once a year

- Perform a visual inspection of the bolted connections around the pivot bolts, shock-absorber mountings and the U-bolt nuts, paying particular attention to signs of paint cracks on the periphery of the connection and signs of rust.
Cracks and fissures in the area adjacent to the connections is a sign of movement at the mounting. You should respond by retightening the connection to the specified torque.

Tools

Parts illustration



Parts list

Item no.	Part description	Part no.
1	Socket for hexagonal axle end nut M80x1.5	W 749 589 01 09 00
2	Drift for fitting oil seal insertion tool	W 389 589 00 15 00
3	Assembly aid for compact bearing hub	
	Right-hand thread	W 749 589 02 14 00
	Left-hand thread	W 749 589 01 14 00
4	Drift for fitting ABS pole wheel	W 749 589 00 15 00
5	Claw spanner attachment for slotted round nut on TZ5/TZ3	W 749 589 02 07 00

Special tools are available from the E-Shop of the Daimler AG Service Portal at:

www.service-and-parts.net

<input type="checkbox"/>	Bolt connections checked and retightened to specified tightening torque	
<input type="checkbox"/>	Wheel bearing play checked	
<input type="checkbox"/>	Wheel bearings regreased and new seal fitted	To be performed only on axle systems with conventional bearings
<input type="checkbox"/>	Wheel bearings replaced	conventional bearings
<input type="checkbox"/>	Wheel bearing play adjusted	
<input type="checkbox"/>	Chassis parts checked for wear, leakage and damage	
<input type="checkbox"/>	Brake lining wear checked	
<input type="checkbox"/>	Brake system checked for leakage	
<input type="checkbox"/>	Braking effect of service and parking brakes checked	

Brake lining check	Remaining brake lining thickness	Lining replacement
First axle, left	<input type="text"/> mm	<input type="checkbox"/>
First axle, right	<input type="text"/> mm	<input type="checkbox"/>
Second axle, left	<input type="text"/> mm	<input type="checkbox"/>
Second axle, right	<input type="text"/> mm	<input type="checkbox"/>
Third axle, left	<input type="text"/> mm	<input type="checkbox"/>
Third axle, right	<input type="text"/> mm	<input type="checkbox"/>

Brand of wheel bearing grease (conventional bearing)	<input type="text"/>
Mileage	<input type="text"/>
Repair order no.	<input type="text"/>
Date	<input type="text"/>
Signature	<input type="text"/>

Authorised workshop stamp

Maintenance work

<input type="checkbox"/>	Bolt connections checked and retightened to specified tightening torque	
<input type="checkbox"/>	Wheel bearing play checked	
<input type="checkbox"/>	Wheel bearings regreased and new seal fitted	To be performed only on axle systems with conventional bearings
<input type="checkbox"/>	Wheel bearings replaced	
<input type="checkbox"/>	Wheel bearing play adjusted	
<input type="checkbox"/>	Chassis parts checked for wear, leakage and damage	
<input type="checkbox"/>	Brake lining wear checked	
<input type="checkbox"/>	Brake system checked for leakage	
<input type="checkbox"/>	Braking effect of service and parking brakes checked	

Brake lining check	Remaining brake lining thickness	Lining replacement
First axle, left	<input type="text"/> mm	<input type="checkbox"/>
First axle, right	<input type="text"/> mm	<input type="checkbox"/>
Second axle, left	<input type="text"/> mm	<input type="checkbox"/>
Second axle, right	<input type="text"/> mm	<input type="checkbox"/>
Third axle, left	<input type="text"/> mm	<input type="checkbox"/>
Third axle, right	<input type="text"/> mm	<input type="checkbox"/>

Brand of wheel bearing grease (conventional bearing)	<input type="text"/>
Mileage	<input type="text"/>
Repair order no.	<input type="text"/>
Date	<input type="text"/>
Signature	<input type="text"/>

Authorised workshop stamp

<input type="checkbox"/>	Bolt connections checked and retightened to specified tightening torque	
<input type="checkbox"/>	Wheel bearing play checked	
<input type="checkbox"/>	Wheel bearings regreased and new seal fitted	To be performed only on axle systems with conventional bearings
<input type="checkbox"/>	Wheel bearings replaced	
<input type="checkbox"/>	Wheel bearing play adjusted	
<input type="checkbox"/>	Chassis parts checked for wear, leakage and damage	
<input type="checkbox"/>	Brake lining wear checked	
<input type="checkbox"/>	Brake system checked for leakage	
<input type="checkbox"/>	Braking effect of service and parking brakes checked	

Brake lining check	Remaining brake lining thickness	Lining replacement
First axle, left	<input type="text"/> mm	<input type="checkbox"/>
First axle, right	<input type="text"/> mm	<input type="checkbox"/>
Second axle, left	<input type="text"/> mm	<input type="checkbox"/>
Second axle, right	<input type="text"/> mm	<input type="checkbox"/>
Third axle, left	<input type="text"/> mm	<input type="checkbox"/>
Third axle, right	<input type="text"/> mm	<input type="checkbox"/>

Brand of wheel bearing grease (conventional bearing)	<input type="text"/>
Mileage	<input type="text"/>
Repair order no.	<input type="text"/>
Date	<input type="text"/>
Signature	<input type="text"/>

Authorised workshop stamp

Maintenance work

<input type="checkbox"/>	Bolt connections checked and retightened to specified tightening torque	
<input type="checkbox"/>	Wheel bearing play checked	
<input type="checkbox"/>	Wheel bearings regreased and new seal fitted	To be performed only on axle systems with conventional bearings
<input type="checkbox"/>	Wheel bearings replaced	
<input type="checkbox"/>	Wheel bearing play adjusted	
<input type="checkbox"/>	Chassis parts checked for wear, leakage and damage	
<input type="checkbox"/>	Brake lining wear checked	
<input type="checkbox"/>	Brake system checked for leakage	
<input type="checkbox"/>	Braking effect of service and parking brakes checked	

Brake lining check	Remaining brake lining thickness	Lining replacement
First axle, left	<input type="text"/> mm	<input type="checkbox"/>
First axle, right	<input type="text"/> mm	<input type="checkbox"/>
Second axle, left	<input type="text"/> mm	<input type="checkbox"/>
Second axle, right	<input type="text"/> mm	<input type="checkbox"/>
Third axle, left	<input type="text"/> mm	<input type="checkbox"/>
Third axle, right	<input type="text"/> mm	<input type="checkbox"/>

Brand of wheel bearing grease (conventional bearing)	<input type="text"/>
Mileage	<input type="text"/>
Repair order no.	<input type="text"/>
Date	<input type="text"/>
Signature	<input type="text"/>

Authorised workshop stamp

<input type="checkbox"/>	Bolt connections checked and retightened to specified tightening torque	
<input type="checkbox"/>	Wheel bearing play checked	
<input type="checkbox"/>	Wheel bearings regreased and new seal fitted	To be performed only on axle systems with conventional bearings
<input type="checkbox"/>	Wheel bearings replaced	
<input type="checkbox"/>	Wheel bearing play adjusted	
<input type="checkbox"/>	Chassis parts checked for wear, leakage and damage	
<input type="checkbox"/>	Brake lining wear checked	
<input type="checkbox"/>	Brake system checked for leakage	
<input type="checkbox"/>	Braking effect of service and parking brakes checked	

Brake lining check	Remaining brake lining thickness	Lining replacement
First axle, left	<input type="text"/> mm	<input type="checkbox"/>
First axle, right	<input type="text"/> mm	<input type="checkbox"/>
Second axle, left	<input type="text"/> mm	<input type="checkbox"/>
Second axle, right	<input type="text"/> mm	<input type="checkbox"/>
Third axle, left	<input type="text"/> mm	<input type="checkbox"/>
Third axle, right	<input type="text"/> mm	<input type="checkbox"/>

Brand of wheel bearing grease (conventional bearing)	<input type="text"/>
Mileage	<input type="text"/>
Repair order no.	<input type="text"/>
Date	<input type="text"/>
Signature	<input type="text"/>

Authorised workshop stamp

Telephone Numbers Service24h

As the owner of the **MercedesServiceCard** you can use the following telephone numbers for **Service24h**:

Telephone Numbers Service24h			Telephone Numbers Service24h		
	Inland	Foreign country		Inland	Foreign country
Andorra		+34 91 754 123	B-Herzegovina	03 3776726	+387 33776725
Austria		+43 1 36 027 730 22	Bulgaria	02 919 87 87	+359 2 919 87 87
Belgium		+32 2 620 03 07	Croatia	0800 10 40	+385 1 36 44 873
Czech Republic		+420 296 335 698	Cyprus	99 62 77 62	+357 99 62 77 62
France		+33 1 70 48 01 52	Denmark	33 78 55 55	+45 33 78 55 55
Germany		+49 69 95 30 73 89	Estonia	515 1512	+372 515 1512
Gibraltar		+34 91 754 123	Finland	040 0413113	+358 400413113
Great Britain		+44 207-660-9992	Greece	6944 35 47 00	00800 17777777
Hungary		+36-1-3285304	Iceland	+354 590 2170	+354 664 2130
Ireland		+353 165 902 73	Latvia	+371 29488557	+371 67099888
Italy		+39 023 859 13 30	Lithuania	8 698 24950	+370 698 24950
Liechtenstein		+41 22 567 53 35	Norway	67 90 83 00	+47 67 90 83 00
Luxembourg	00800 5 777 777 7	+352 27 30 22 64	Portugal	800 200 752	+351 219 42 91 15
Monaco		+33 1 70 48 01 53	Romania	0745 23 24 24	+40 745 23 24 24
Netherlands		+31 20 721 90 99	Serbia	011 3019 019	+381 11 3019 019
Poland		+48 22 583 43 63	Slovenia	080 19 11	+386 1 530 53 15
Slovakia		+421 2 50102654	Sweden	020 78 44 78	+46 8 644 62 76
Spain		+34 91 754 123	Turkey	444 62 44	+90 212 444 6244
Switzerland		+41 22 567 53 35			



If you are not already the owner of a MercedesServiceCard please follow the link below where you will find an application form:

www.servicecards-info.com

Please note: modifications may have been made to the products since this brochure went to print. The information in this brochure is to be regarded as approximate. The illustrations may contain accessories and items of optional equipment which are not part of standard specification. This brochure may also contain models and services which are not offered in certain countries. Please consult your Daimler AG dealer for current details.

Mercedes-Benz
TrailerAxleSystems
069-563 A
Mercedesplatz 1
34127 Kassel, Germany
Phone +49 (0) 561 802-2777
Fax +49 (0) 561 802-2164
E-Mail
service.trailerachsen@daimler.com

Region Benelux
Mercedes-Benz
TrailerAxleSystems
Masterode 2
5709HX, Helmond, The Netherlands
Phone +31 (0) 6-20 100 354
Fax +31 (0) 4-92 592 066
E-Mail arjen.mens@daimler.com

Region Eastern Europe
Mercedes-Benz
TrailerAxleSystems
Os. Jagodowe 12/2
62-002 Suchy Las, Polen
Tel. +48 (0) 692 437 029
Fax +48 (0) 608 540 036
E-Mail krzysztof.hala@daimler.com

Sales Office Southern Europe
Mercedes-Benz
TrailerAxleSystems
Southern Europe S.A.S.
11 Font de la Banquière
34970 Lattes, France
Phone +33 (0) 499 1337-37
Fax +33 (0) 499 1337-30
E-Mail isabelle.laval@daimler.com

Mercedes-Benz
TrailerAxleSystems
Via Sommacampagna 61
Cassetta Postale 15
37137 Verona, Italy
Phone +39 (0) 45 8623-077
Fax +39 (0) 45 8646-325
E-Mail michele.sartori@daimler.com

Mercedes-Benz
TrailerAxleSystems
P.O. Box 6186
47010 Valladolid, Spain
Phone +34 (0) 629 542 877
Fax +34 (0) 914 846 483
E-Mail
fernando.gonzalez_herran@daimler.com

Sales Office Northern Europe
Mercedes-Benz
TrailerAxleSystems
4, Chantry Court, Sovereign Way
CH1 4QN Chester, England
Phone +44 (0) 1244 394-222
Fax +44 (0) 1244 394-224
E-Mail gary.smith@daimler.com

Local Dealer Greece
Technical Agencies
John Mesthaneus and Sons O.E.
107 Lefkis St.
14568 Krioneri, Athens, Greece
Phone +30 (0) 210 6220316
Fax +30 (0) 210 8161309
E-Mail james@otenet.gr

www.dca-family.com